
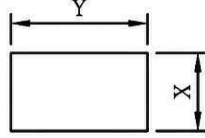
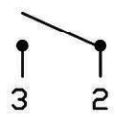
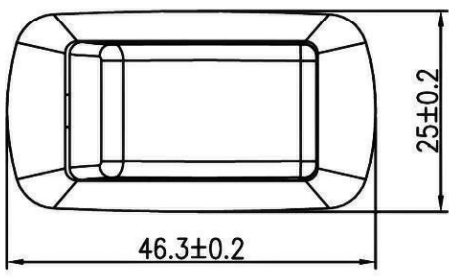
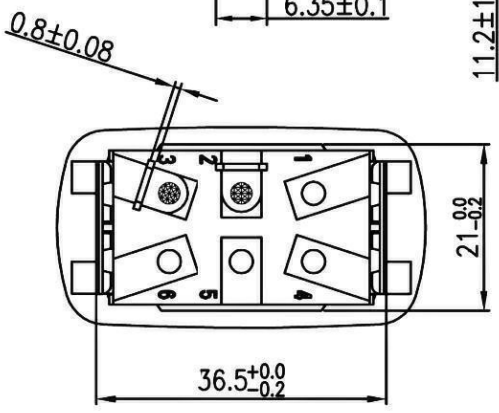
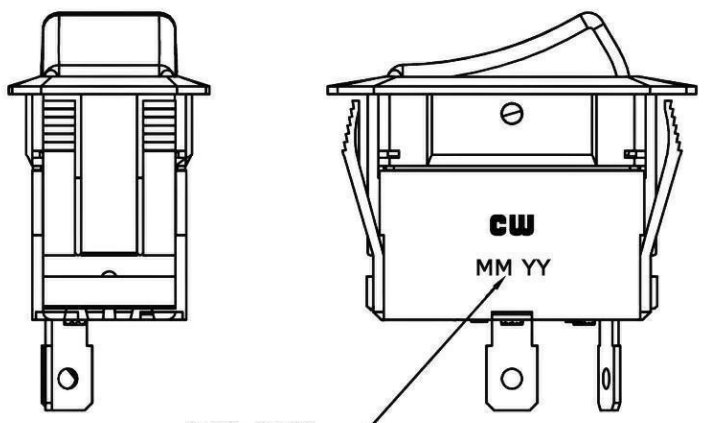
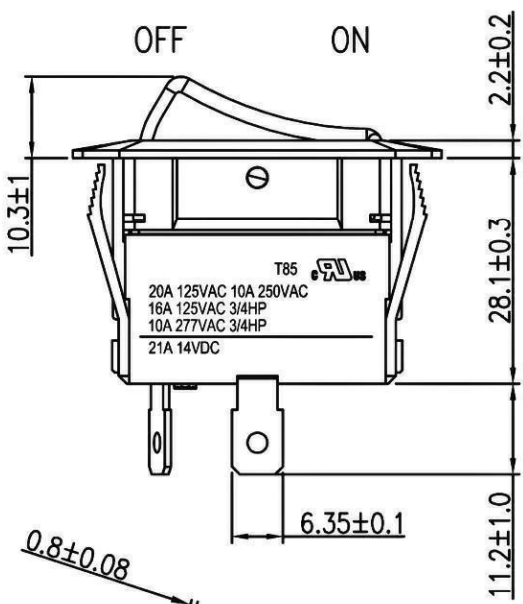


THIS INFORMATION IS CONFIDENTIAL AND PROPRIETARY TO CW INDUSTRIES INCORPORATED AND ITS AFFILIATES. IT MAY NOT BE DISCLOSED TO ANYONE, OTHER THAN CW INDUSTRIES PERSONNEL, WITHOUT WRITTEN AUTHORIZATION FROM CW INDUSTRIES INCORPORATED, SOUTHAMPTON, PENNSYLVANIA USA.

<b>Rating</b>	20A 125VAC 10A 250VAC 16A 125VAC 3/4HP  10A 277VAC 3/4HP	<b>Mounting Hole</b>		<b>Circuit Diagram</b>									
	21A 14VDC												
<b>Contact Resistance</b>	50m ohm Max.	<table border="1"> <thead> <tr> <th>Thickness(mm)</th> <th>X(mm)</th> <th>Y(mm)</th> </tr> </thead> <tbody> <tr> <td>0.75~1.25</td> <td rowspan="3">21.2±0.1</td> <td>36.6<sup>+0.2</sup><sub>-0</sub></td> </tr> <tr> <td>1.25~2.0</td> <td>36.8<sup>+0.2</sup><sub>-0</sub></td> </tr> <tr> <td>2.0~3.0</td> <td>37.0<sup>+0.2</sup><sub>-0</sub></td> </tr> </tbody> </table>	Thickness(mm)	X(mm)	Y(mm)	0.75~1.25	21.2±0.1	36.6 <sup>+0.2</sup> <sub>-0</sub>	1.25~2.0	36.8 <sup>+0.2</sup> <sub>-0</sub>	2.0~3.0	37.0 <sup>+0.2</sup> <sub>-0</sub>	
Thickness(mm)	X(mm)		Y(mm)										
0.75~1.25	21.2±0.1		36.6 <sup>+0.2</sup> <sub>-0</sub>										
1.25~2.0		36.8 <sup>+0.2</sup> <sub>-0</sub>											
2.0~3.0		37.0 <sup>+0.2</sup> <sub>-0</sub>											
<b>Insulation Resistance</b>	DC 500V 100M ohm Min.												
<b>Dielectric Strength</b>	AC 1500V 1 minute												
<b>Operation Temperature</b>	-20°~+85°												
<b>Switch Function</b>	2P SPST ON-OFF												



**\* MATERIAL:**  
 Frame: Nylon#66, Black  
 Actuator: Nylon#66 with 33%GF, Black  
 Printed: None  
 Water proof and dust proof to fit IP-56



DATE CODE

RoHS Compliant

1 20A 125VAC 10A 250VAC was 20A 125VAC 10A 25VAC in Rating. 1/24/11.

**CW INDUSTRIES**  
 Southampton, Pa. 18966  
 Tel 215.355.7080/www.cwind.com

Date Drawn: 1/24/11

Rev. 1

Unit: mm

Checked By: G.Guld

Title: **ROCKER SWITCH**

CW P/N: **GRB260A601BBNN**