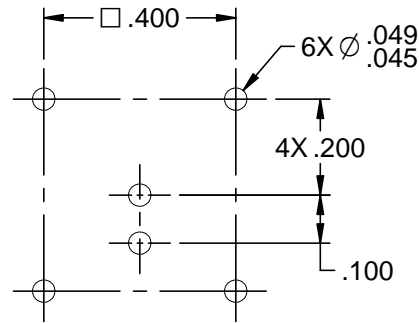


NOTES: UNLESS OTHERWISE SPECIFIED.

1. FEMALE SUBMINIATURE TRIAXIAL PC BOARD MOUNT JACK.
2. FINISH:  
BODY: NICKEL  
CONTACT: GOLD
3. MAXIMUM BOARD THICKNESS: .125
4. MINIMUM CENTER TO CENTER MOUNTING: .500
5. PRE-TINNED.



**RECOMMENDED MOUNTING HOLE PATTERN**

	3RD ANGLE PROJECTION	<b>Trompeter</b>		
		Title: TRS CIRCUIT BOARD MOUNT		
<small>This PROPRIETARY Document is property of Cinch Connectivity Solutions. It is confidential in nature, non-transferable, and issued with the clear understanding that it is not traced or copied without permission and is returnable upon demand.</small> <small>INTERPRET DRAWING IN ACCORDANCE WITH ASME Y14.5-2009.</small>	UNLESS OTHERWISE SPECIFIED	Model No. CBJ157		Date: 4/17/2013 Sheet 1 of 1
	.XX ± .02 .XXX ± .005 ANGLES ± 2°	Size A	DO NOT SCALE DRAWING	