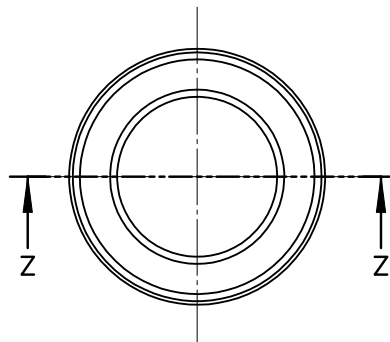


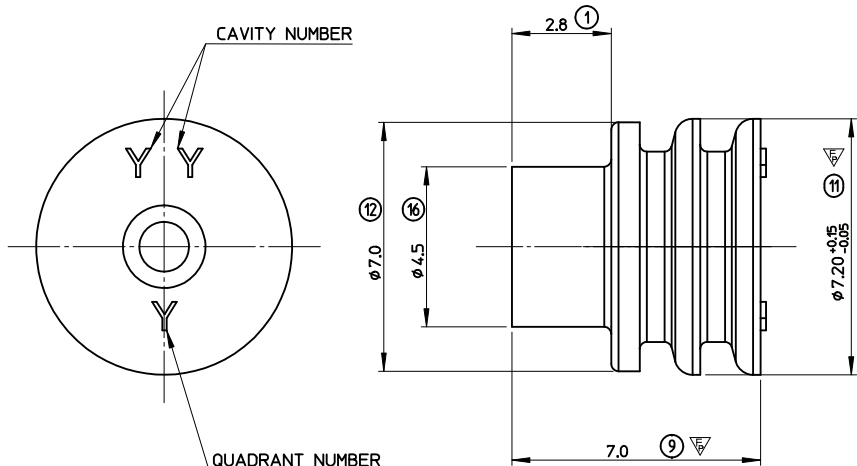
No flash, no cut, no less material,
no deformation on seal lips

Z-Z



Z

Z



MATERIAL SPECIFICATION : SILICON ELASTOMER TYPE LSR 50+5 SHORE A ,
SELF BLEEDING OIL CONTENT : 0%

LOOSE PACKAGING		
50 000 seals (5 bags of 10 000 seals) / cardboard box.		
PACKAGING CODE : GALIA A12		
0643251091	BLACK	0,19
MOLEX PART NUMBER	COLOUR	CALCULATED WEIGHT (g)

REVIEW ALL NOTES EC NO: G2010-0160 DRWN:PECHELE 2010/03/16 CHKD:OPLESSIS 2011/10/20 APPR:BOUCHAN 2011/12/06	QUALITY SYMBOLS ∇=0 ∇=0 ∇=3	GENERAL TOLERANCES (UNLESS SPECIFIED) <table border="1"> <tr> <th></th> <th>mm</th> <th>INCH</th> </tr> <tr> <td>4 PLACES</td> <td>± ---</td> <td>± ---</td> </tr> <tr> <td>3 PLACES</td> <td>± ---</td> <td>± ---</td> </tr> <tr> <td>2 PLACES</td> <td>± ---</td> <td>± ---</td> </tr> <tr> <td>1 PLACE</td> <td>± 0.15</td> <td>± ---</td> </tr> </table> ANGULAR ± 3 °		mm	INCH	4 PLACES	± ---	± ---	3 PLACES	± ---	± ---	2 PLACES	± ---	± ---	1 PLACE	± 0.15	± ---	DIMENSION STYLE MM ONLY	SCALE 10:1	DESIGN UNITS METRIC	FIRST ANGLE PROJECTION
		mm	INCH																		
	4 PLACES	± ---	± ---																		
	3 PLACES	± ---	± ---																		
2 PLACES	± ---	± ---																			
1 PLACE	± 0.15	± ---																			
DESCRIPTION	DRAWN BY VGUERIN CHECKED BY FPAROLARI APPROVED BY LSTICKEIR	DATE 2007/07/13 DATE 2007/07/14 DATE 2007/07/14	TITLE WIRE SEAL PLUG RCPT TERM																		
REV	MATERIAL NO. 0643251091	DOCUMENT NO. SD-64325-004	MOLEX INCORPORATED																		
	DRAFT WHERE APPLICABLE MUST REMAIN WITHIN DIMENSIONS	SIZE A2	THIS DRAWING CONTAINS INFORMATION THAT IS PROPRIETARY TO MOLEX INCORPORATED AND SHOULD NOT BE USED WITHOUT WRITTEN PERMISSION																		