

# Customer Information Sheet

DRAWING No.: S8411-45R SHEET 3 OF 4

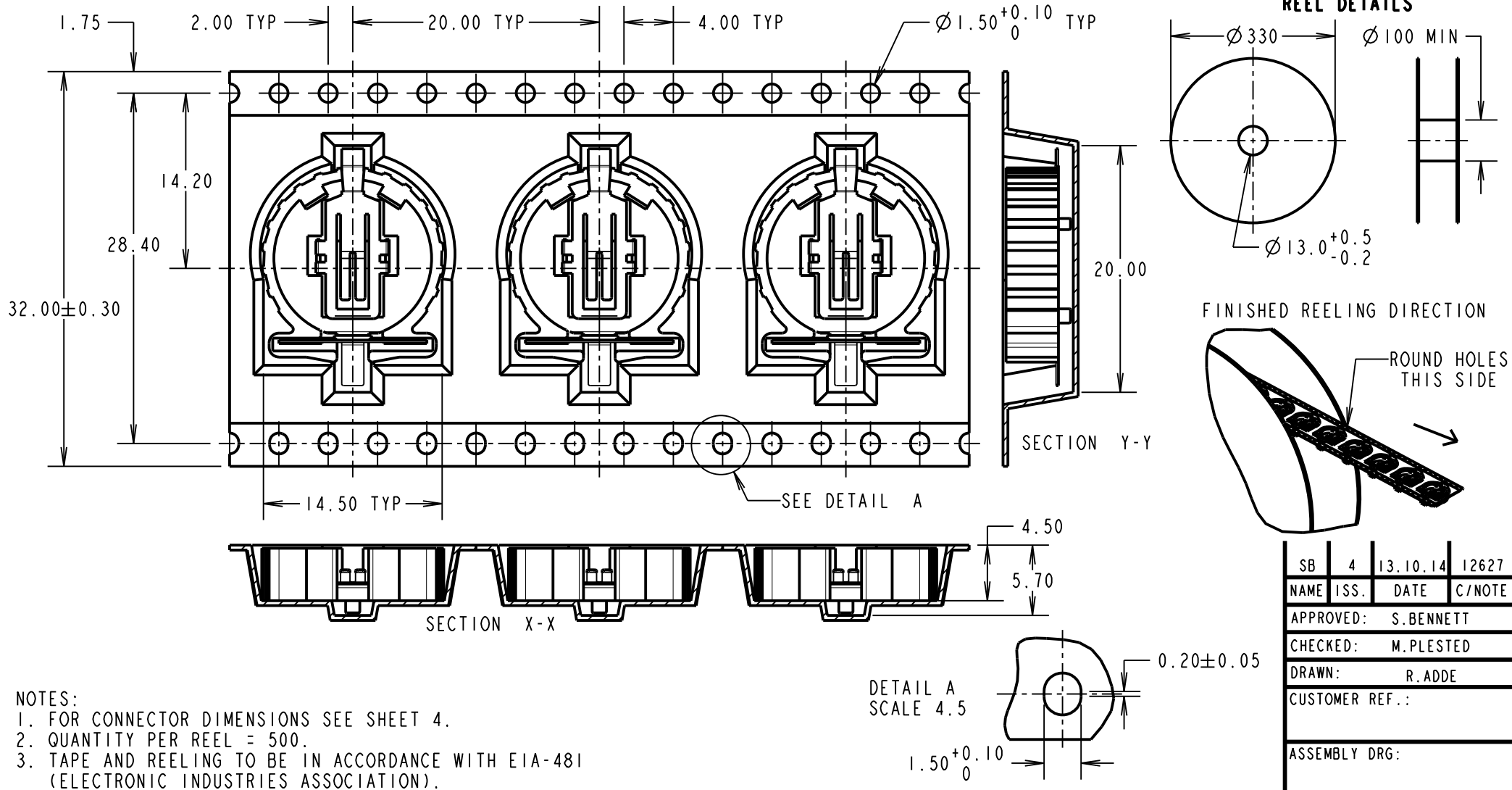
IF IN DOUBT - ASK

(C)

NOT TO SCALE

THIRD ANGLE PROJECTION

ALL DIMENSIONS IN mm



SB	4	13.10.14	12627
NAME	ISS.	DATE	C/NOTE
APPROVED:		S.BENNETT	
CHECKED:		M.PLESTED	
DRAWN:		R.ADDE	
CUSTOMER REF.:			
ASSEMBLY DRG:			

- NOTES:
- FOR CONNECTOR DIMENSIONS SEE SHEET 4.
  - QUANTITY PER REEL = 500.
  - TAPE AND REELING TO BE IN ACCORDANCE WITH EIA-481 (ELECTRONIC INDUSTRIES ASSOCIATION).

## HARWIN

www.harwin.com  
technical@harwin.com

THIS DRAWING AND ANY INFORMATION OR DESCRIPTIVE MATTER SET OUT HEREON ARE CONFIDENTIAL AND COPYRIGHT PROPERTY OF THE HARWIN GROUP AND MUST NOT BE DISCLOSED, LOANED, COPIED OR USED FOR MANUFACTURING, TENDERING OR FOR ANY OTHER PURPOSE WITHOUT THEIR WRITTEN PERMISSION.

TOLERANCES  
X. = ±1mm  
X.X = ±0.25mm  
X.XX = ±0.10mm  
X.XXX = ±0.01mm  
ANGLES = ±5°  
UNLESS STATED

MATERIAL:  
SEE SHEET 4  
FINISH: SEE SHEET 4  
S/AREA: mm<sup>2</sup>

TITLE:  
SMT COIN CELL HOLDER  
FOR CR1220, TAPE & REELED

DRAWING NUMBER:  
**S8411-45R**

SHT  
3 OF 4

# Customer Information Sheet

DRAWING No.: S8411-45R

SHEET 4 OF 4

IF IN DOUBT - ASK

©

NOT TO SCALE

THIRD ANGLE PROJECTION

ALL DIMENSIONS IN mm

## SPECIFICATIONS:

### MATERIAL:

MOULDING: PPS, UL94V-0, BROWN

CONTACT: PHOSPHOR BRONZE

### FINISH:

CONTACTS = GOLD FLASH OVER NICKEL

### ELECTRICAL:

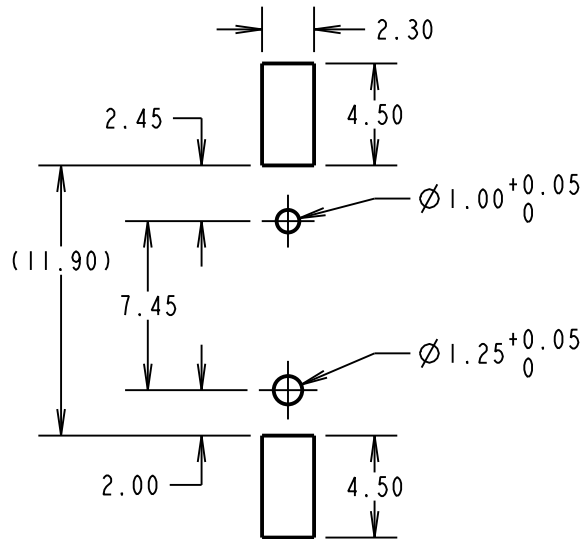
CONTACT RESISTANCE = 12mΩ

INSULATION RESISTANCE = 500MΩ

DIELECTRIC VOLTAGE = 500V AC FOR 1 MINUTE

### ENVIRONMENTAL:

OPERATING TEMPERATURE = -55°C TO + 105°C



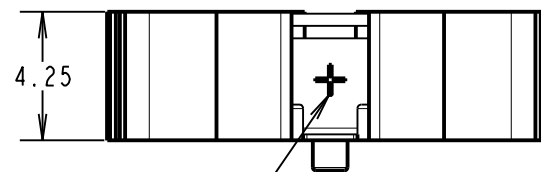
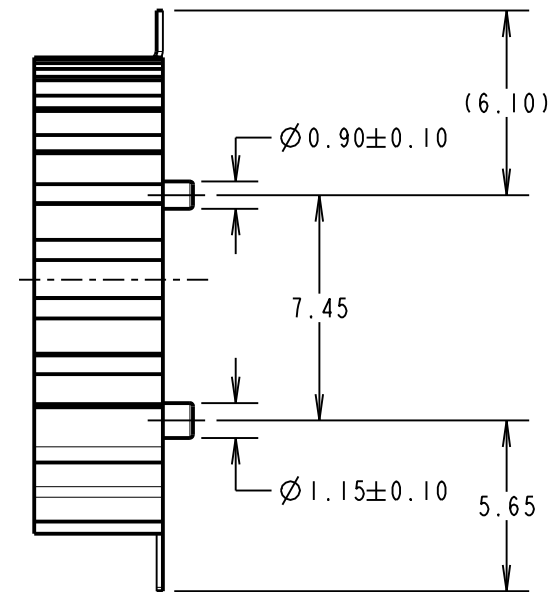
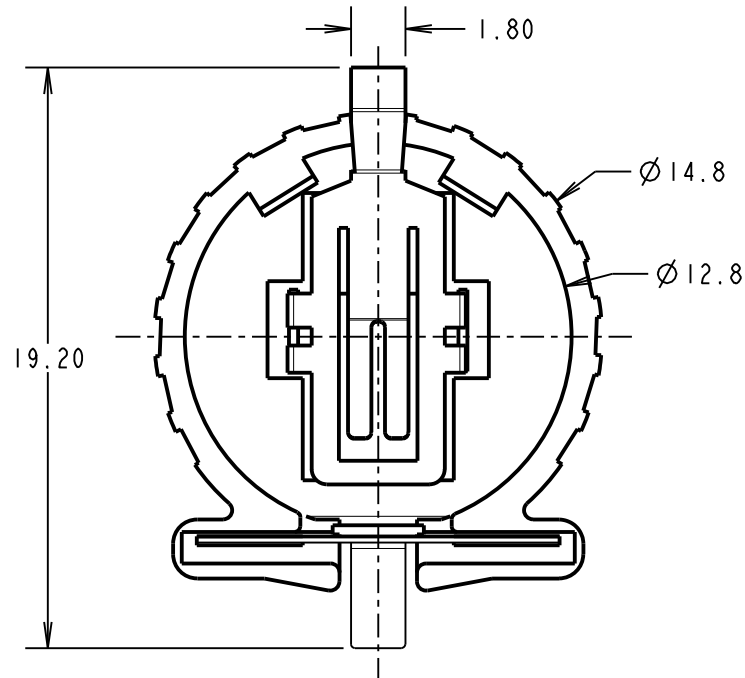
RECOMMENDED PCB LAYOUT

### NOTES:

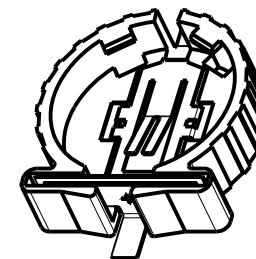
1. SUITABLE FOR THE FOLLOWING COIN CELL: CR1220.

2. ALL TOLERANCES ARE: X.X = ±0.25

X.XX = ±0.20 UNLESS OTHERWISE STATED.



POLARITY MARKING, FOR DRAWING ILLUSTRATION ONLY



SB	4	13.10.14	12627
NAME	ISS.	DATE	C/NOTE
APPROVED:		S.BENNETT	
CHECKED:		M.PLESTED	
DRAWN:		R.ADDE	
CUSTOMER REF.:			
ASSEMBLY DRG:			

# HARWIN

www.harwin.com  
technical@harwin.com

THIS DRAWING AND ANY INFORMATION OR DESCRIPTIVE MATTER SET OUT HEREON ARE CONFIDENTIAL AND COPYRIGHT PROPERTY OF THE HARWIN GROUP AND MUST NOT BE DISCLOSED, LOANED, COPIED OR USED FOR MANUFACTURING, TENDERING OR FOR ANY OTHER PURPOSE WITHOUT THEIR WRITTEN PERMISSION.

**TOLERANCES**  
X = ±1mm  
X.X = ±0.25mm  
X.XX = ±0.10mm  
X.XXX = ±0.01mm  
ANGLES = ±5°  
UNLESS STATED

MATERIAL:

SEE ABOVE

FINISH: SEE ABOVE

S/AREA:

mm<sup>2</sup>

TITLE:

SMT COIN CELL HOLDER  
FOR CR1220, TAPE & REELED

DRAWING NUMBER:

S8411-45R

SHT  
4  
OF  
4