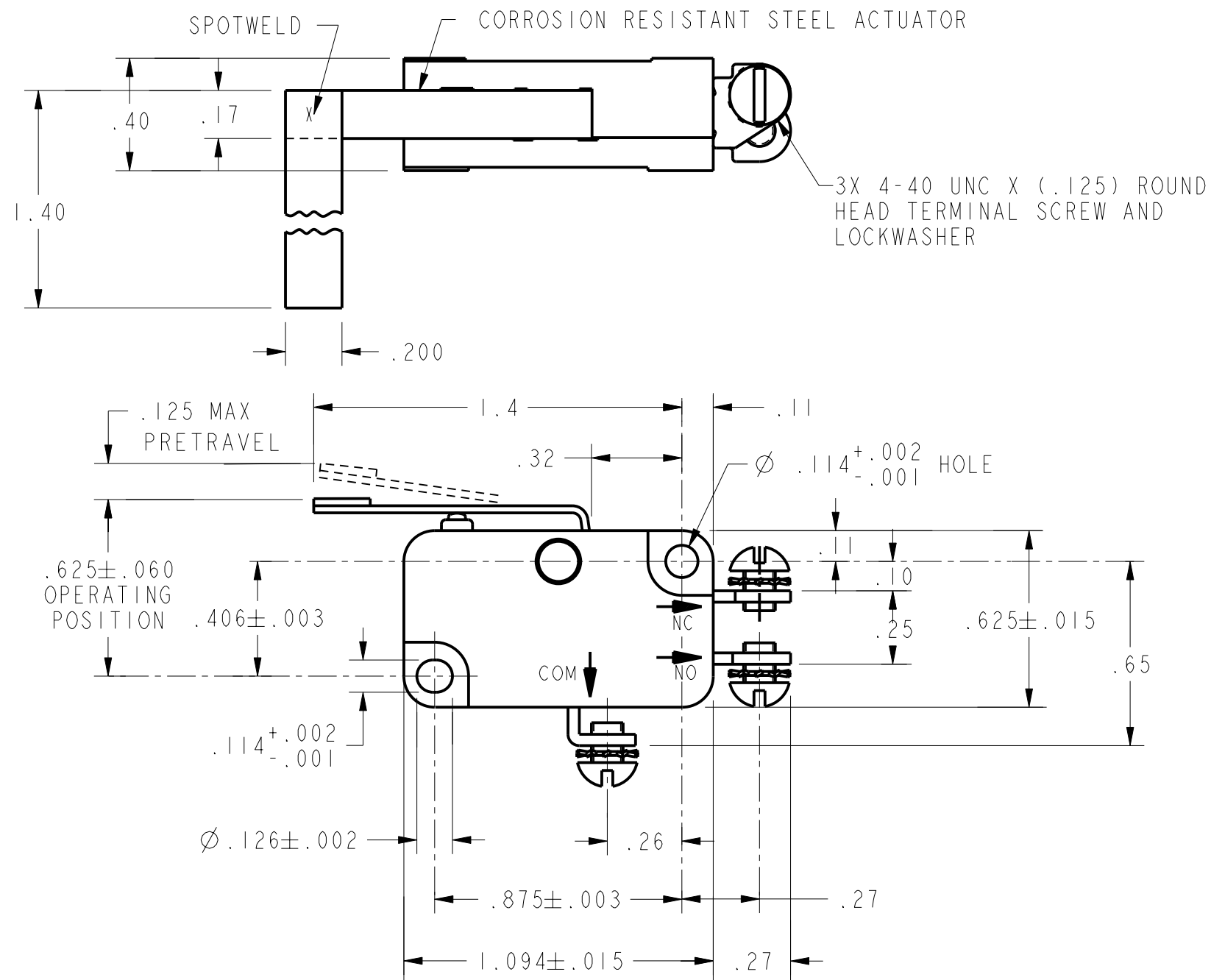


REV	DOCUMENT	CHANGED BY	CHECK
6	203524	TSM 17jul01	SAV



CHARACTERISTICS	
OPERATING FORCE	----- 4 OZ MAX
RELEASE FORCE	----- 1/2 OZ MIN
DIFFERENTIAL TRAVEL	----- .050 MAX
OVERTRAVEL	----- .080 MIN
RELEASE TRAVEL	----- .013 MIN

ELECTRICAL DATA	
CONTACT ARRANGEMENT	
S P D T	
L156	
11A 1/3HP 125, 250 OR 277 VAC	
1/2A 125 VDC, 1/4A 250 VDC	
4A 125 VAC "L"	

UNLESS OTHERWISE SPECIFIED TOLERANCES ARE:			
	<input checked="" type="checkbox"/> US (inch) CUSTOMARY	<input type="checkbox"/> SI (mm) METRIC	
NO PLACE	X	±.040	±1
ONE PLACE	.X	±.030	±0,4
TWO PLACE	.XX	±.015	±0,15
THREE PLACE	.XXX	±.005	±
ANGLES		±	±
RAW MATERIAL-COMMERCIAL STANDARD			
THIRD ANGLE PROJECTION			

DRAWN	TSM	17jul01
CHECK	SAV	17jul01
THIS DRAWING COVERS A PROPRIETARY ITEM AND IS THE PROPERTY OF HONEYWELL SENSING AND CONTROL. THIS DRAWING IS NOT TO BE COPIED OR USED WITHOUT THE PERMISSION OF HONEYWELL.		
DIMENSIONS ARE TO BE MET BEFORE PROTECTIVE COATINGS ARE APPLIED		
PTC 2D	ASME Y14.5M-1994	

Honeywell			
Sensing and Control			
TITLE			
SWITCH, BASIC			
SIZE	DWG TYPE	DRAWING NAME	REV
B	M	V3L-709	6
SCALE 2 : 1		WEIGHT	SHEET 1 OF 1