

# C3225C0G2W333J250AE

TDK Item Description : C3225C0G2W333J\*\*\*S

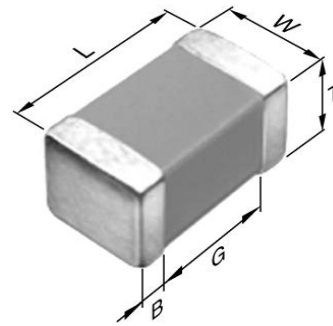


## Application & Main Feature

Commercial Grade ( Soft Termination )

## Series

C3225 [EIA CC1210]



## Dimensions

L	3.20mm +0.5,-0.4mm
W	2.50mm +/-0.3mm
T	2.50mm +/-0.3mm
B	0.20mm Min.
G	

## Temperature Characteristic

C0G (-55 to 125 degC 0+/-30ppm/degC)

## Rated Voltage

2W (450Vdc)

## Capacitance

33nF

## Capacitance Tolerance

J (+/-5%)

## Q Factor

1000 Min.

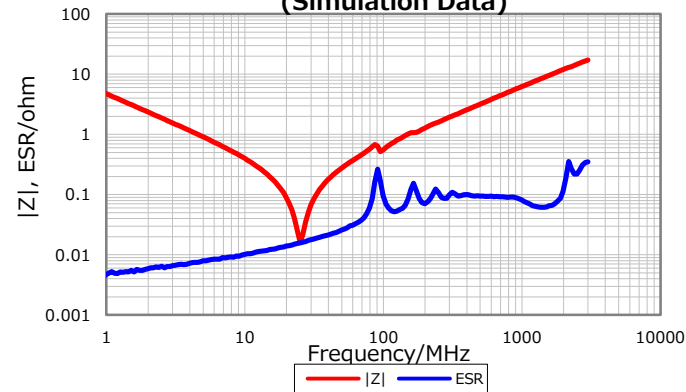
## Insulation Resistance

10Gohm Min

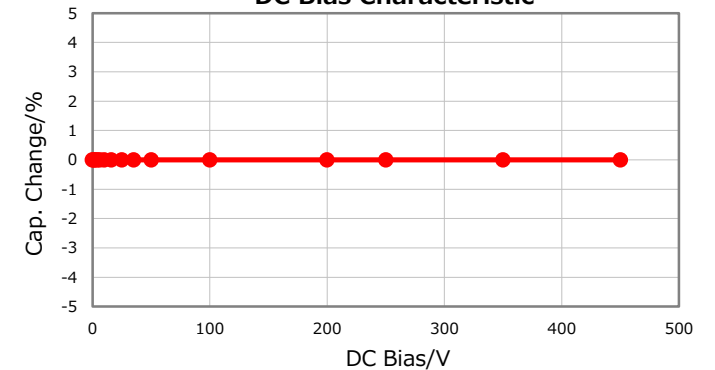
## AEC-Q200

Not Applicable

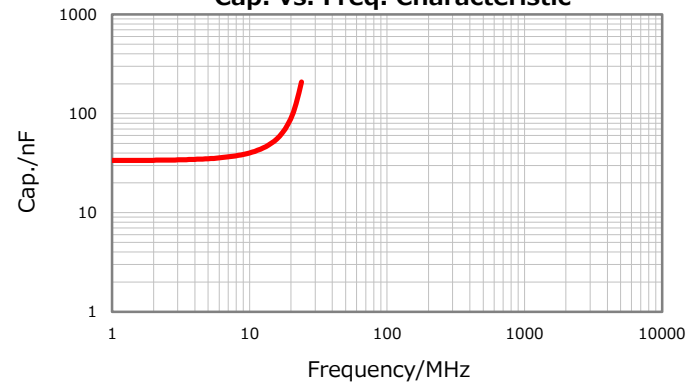
**|Z|, ESR vs. Freq. Characteristics  
(Simulation Data)**



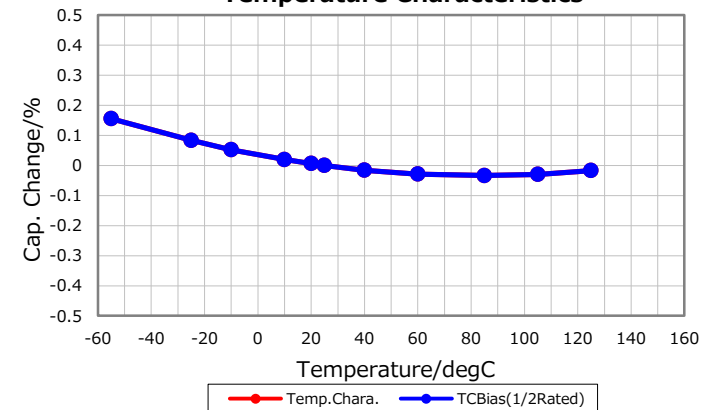
**DC Bias Characteristic**



**Cap. vs. Freq. Characteristic**



**Temperature Characteristics**



Characterization Sheet ( Multilayer Ceramic Chip Capacitors )



All specifications are subject to change without notice.

May 12, 2017