

CLASS CC AND MIDGET FUSE BLOCK ACCESSORIES

FBDIN1 Rail Adapter



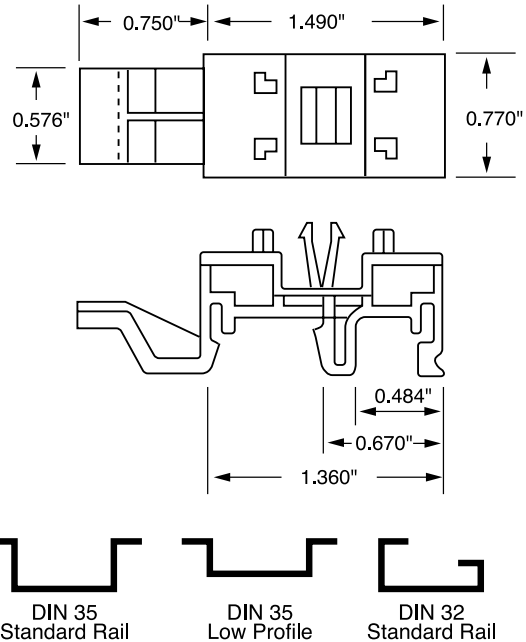
Features/Benefits

- DIN Rail adaptor for 30 A Midget, Class CC and Class G fuse blocks
- Patented design with no tools necessary for installation
- Permits snap-mounting of 30 A Midget, Class CC and Class G fuse blocks to standard and low profile 35 mm symmetrical DIN rails and 32 mm asymmetrical DIN rails
- Easy removal via disconnect tab

Web Resources

For additional technical information visit:
littelfuse.com/fbdin1

Dimensions Inches

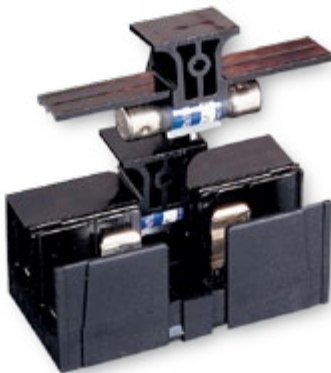


Recommended Fuse Blocks

Midget-Style, Class CC and Class G

*New LF Series fuse holders with built-in DIN rail mount available.

SPL001 Cover Puller

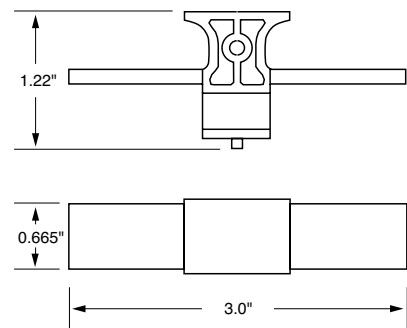


Features/Benefits

- 600 V 1/10-30 A Class CC and Midget fuse cover puller that offers increased protection when removing fuses
- Simple removal without the need for a separate puller
- Meets Dead Front requirements
- Easily gangable with 1/8" diameter wire
- For use with all 600 V Class CC and Midget 1/10-30 A fuses
- Label provided for easy fuse identification

Dimensions

One-Pole



Ordering Information

POLES	PACK QUANTITY	CATALOG NUMBER	ORDERING NUMBER
1	10	SPL001	OSPL0001T
1	100	SPL001	OSPL0001H
2	5	DSPL001	DSPL0001Z
2	100	DSPL001	DSPL0001H
1	10	SPL001PCB	SPL0001PCBT

Recommended Fuse Blocks

L60030C and L60030M

Web Resources

For additional technical information visit:
littelfuse.com/spi001