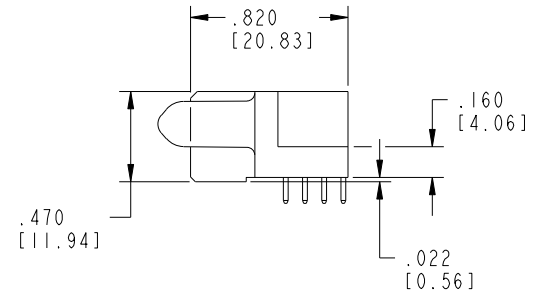
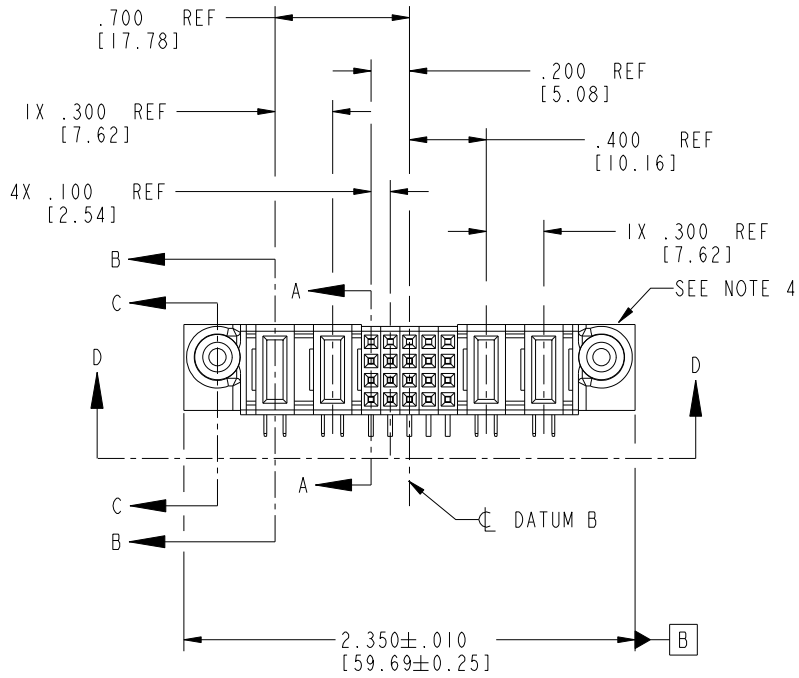
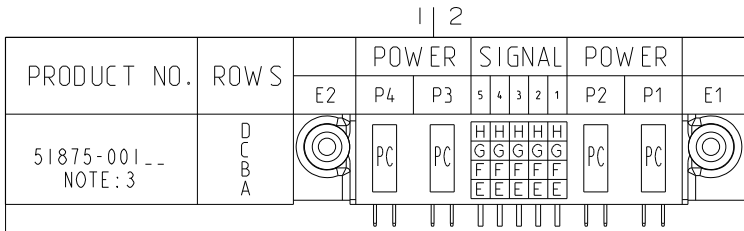


Tous droits strictement réservés. Reproduction ou communication a des tiers interdite sous quelque forme que ce soit sans autorisation écrite du propriétaire. Propriété de c FCI. Droits de reproduction FCI.

All rights strictly reserved. Reproduction or issue to third parties in any form whatever is not permitted without written authority from the proprietor. Property of FCI. Copyright FCI.



CODE	DIM "M" MATING LENGTH	CONTACT TYPE
E	N/A [N/A]	SIGNAL
F	N/A [N/A]	SIGNAL
G	N/A [N/A]	SIGNAL
H	N/A [N/A]	SIGNAL
PC	.092 [2.34]	POWER

mat'l code				SEE NOTE 2		tolerances unless otherwise specified		CUSTOMER		FCI		
ltr	ecn no.	dr	date	linear	.XX±.01/0.X±0.3	projection		COPY		www.fciconnect.com		
A	V20339	JWS	02-22-02		.XXX±.005/0.XX±0.13	INCH/MM		title		2P + 20S + 2P		
B	DG05-0336	CS	09/19/05	angles	.XXX±.0020/0.XXX±0.051	scale		product family		PwrBlade		
C	DG08-0251	W D	09/16/08		0°±2°	1:1		size		213		
sheet index			revision sheet	C	C	C	C	dwg no		sheet		
			1	2	3	4	A		51875-001		1 of 4	

Pro/E

PDM: Rev:C

STATUS: Released

Printed: Dec 20, 2010

cage code 28536

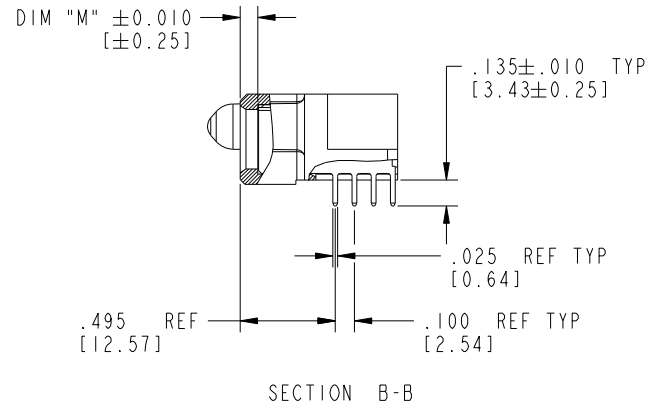
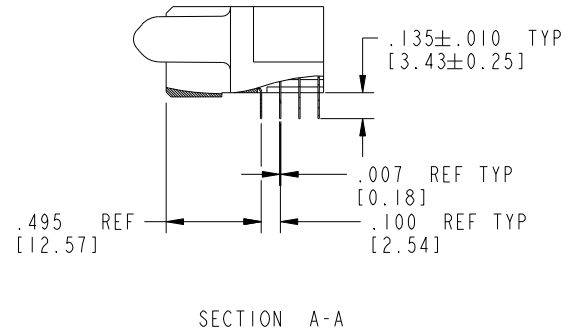
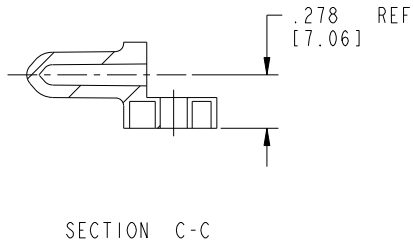
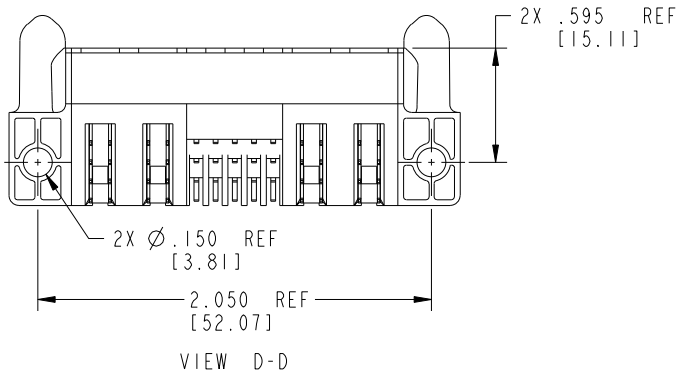
4

Tous droits strictement réservés. Reproduction ou communication a des tiers interdite sous quelque forme que ce soit sans autorisation écrite du propriétaire. Propriété de c FCI. Droits de reproduction FCI.

All rights strictly reserved. Reproduction or issue to third parties in any form whatever is not permitted without written authority from the proprietor. Property of FCI. Copyright FCI.



PRODUCT NUMBER
51875-001--
NOTE:3



mat'l code		SEE NOTE 2		tolerances unless otherwise specified		CUSTOMER		 www.fciconnect.com	
ltr	ecn no.	dr	date	linear	.XX±.01/0.X±0.3	projection	title		
C					.XX±.005/0.XX±0.13		2P + 20S + 2P RIGHT ANGLE SPECIAL RECEPTACLE		
				angles	.XXX±.0020/0.XXX±0.051		product family		code
				dr	0° ± 2°	INCH/MM	PwrBlade		213
				engr	J. SHAFFER 02-22-02	scale	size	dwg no	sheet
				chr	J. ALLISON 02-22-02	1:1	A	51875-001	2 of 4
				appd	J. ALLISON 02-22-02				
sheet index	revision sheet								

Pro/E

PDM: Rev: C

STATUS: Released

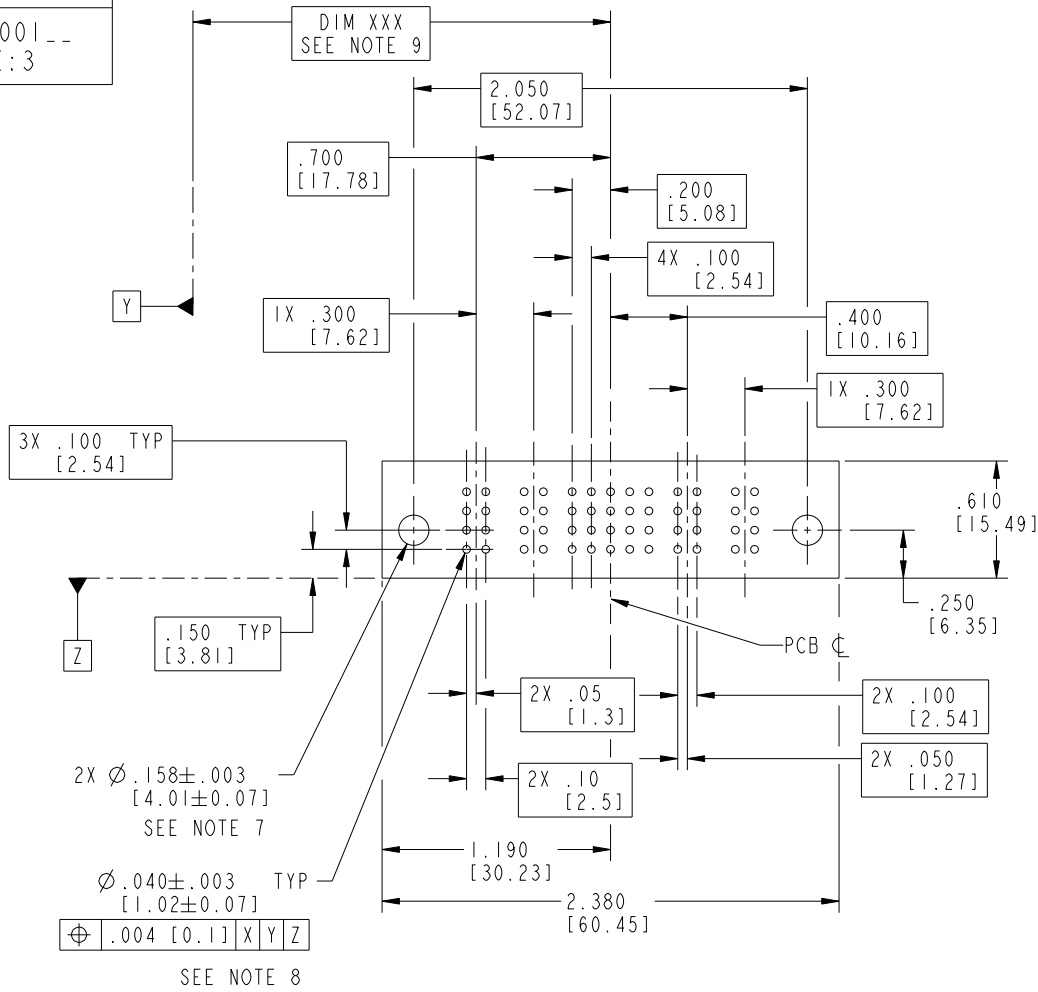
Printed: Dec 20, 2010

Tous droits strictement réservés. Reproduction ou communication a des tiers interdite sous quelque forme que ce soit sans autorisation écrite du propriétaire. Propriété de c FCI. Droits de reproduction FCI.

All rights strictly reserved. Reproduction or issue to third parties in any form whatever is not permitted without written authority from the proprietor. Property of FCI. Copyright FCI.



PRODUCT NUMBER
51875-001--
NOTE:3



RECOMMENDED PCB LAYOUT

SEE NOTE 8

mat'l code		SEE NOTE 2		tolerances unless otherwise specified		CUSTOMER		FCI		www.fciconnect.com	
ltr	ecn no.	dr	date	linear	.XX±.01/0.X±0.3	COPY		projection		title	
C				angles	.XX±.005/0.XX±0.13	INCH/MM		RIGHT ANGLE SPECIAL RECEPTACLE		product family	
				enr	.XXX±.0020/0.XXX±0.051	1:1		PwrBlade		code	
				chr	0°±2°	A		size		213	
				appd	J. SHAFER 02-22-02	51875-001		dwg no		sheet	
sheet index	revision sheet				J. ALLISON 02-22-02					3 of 4	
					J. ALLISON 02-22-02						
					J. ALLISON 02-22-02						

cage code 22536

Pro/E

PDM: Rev: C

STATUS: Released

Printed: Dec 20, 2010

Tous droits strictement réservés. Reproduction ou communication a des tiers interdite sous quelque forme que ce soit sans autorisation écrite du propriétaire. Propriété de c FCI. Droits de reproduction FCI.



All rights strictly reserved. Reproduction or issue to third parties in any form whatever is not permitted without written authority from the proprietor. Property of FCI. Copyright FCI.

1 | 2

3 |

4

PRODUCT NUMBER
51875-001--
NOTE: 3

NOTES:

1. DIMENSIONS AND TOLERANCES ARE IN ACCORDANCE WITH ASME Y14.5M, 1994 UNLESS OTHERWISE SPECIFIED.

CONNECTORS NOTES:

② HOUSING MATERIAL: UL 94 V-0 GLASS FILLED HIGH TEMP THERMO PLASTIC
POWER CONTACT MATERIAL: COPPER ALLOY
SIGNAL PIN MATERIAL: COPPER ALLOY

△ 3. SEE ITEM 5 & 6 IN PRINT 10064183 FOR PLATING SPEC OF 51875-001 AND 51875-001LF RESPECTIVELY.

④ "MANUFACTURER" NAME, P/N, AND DATE CODE TO APPEAR ON THIS SURFACE.

⑤ PRODUCT SPECIFICATION GS-12-149.

PCB - NOTES:

⑥ ALL HOLE DIAMETERS ARE FINISHED HOLE SIZE.

⑦ HOLD DOWN THROUGH HOLES ARE UNPLATED.

8. $\varnothing .0453 \pm 0.0010$ [1.151 ± 0.025] DRILLED HOLES PLATED WITH
0.0003 [0.008] MIN SnPb OVER .001 [0.03]
TO .003 [0.08] Cu PLATING TO ACHIEVE
 $\varnothing .040 \pm .003$ [1.02 ± .07] HOLE.

9. "DIM XXX" TO BE DETERMINED BY THE CUSTOMER.

10. A △ C SYMBOL WILL BE NEXT TO ANY DIMENSION, VIEW, OR NOTE WHICH HAS BEEN MODIFIED WITH THE CURRENT DRAWING REVISION.

mat'l code		SEE NOTE 2		tolerances unless otherwise specified		CUSTOMER		FCI		www.fciconnect.com	
ltr	ecn no.	dr	date	linear	.XX±.01/0.X±0.3	COPY		projection		title	
C					.XXX±.005/0.XX±0.13	INCH/MM				2P + 20S + 2P RIGHT ANGLE SPECIAL RECEPTACLE	
				angles	.XXX±.0020/0.XXX±0.051	scale		product family		code	
				dr	0° ± 2°	1:1		PwrBlade		213	
				engr	J. SHAFFER 02-22-02			size		sheet	
				chr	J. ALLISON 02-22-02			A		4 of 4	
				appd	J. ALLISON 02-22-02			51875-001			
sheet index	revision sheet										

1 | 2

Pro/E

PDM: Rev: C

STATUS: Released

Printed: Dec 20, 2010

A

A

B

B

cage code 22526

4