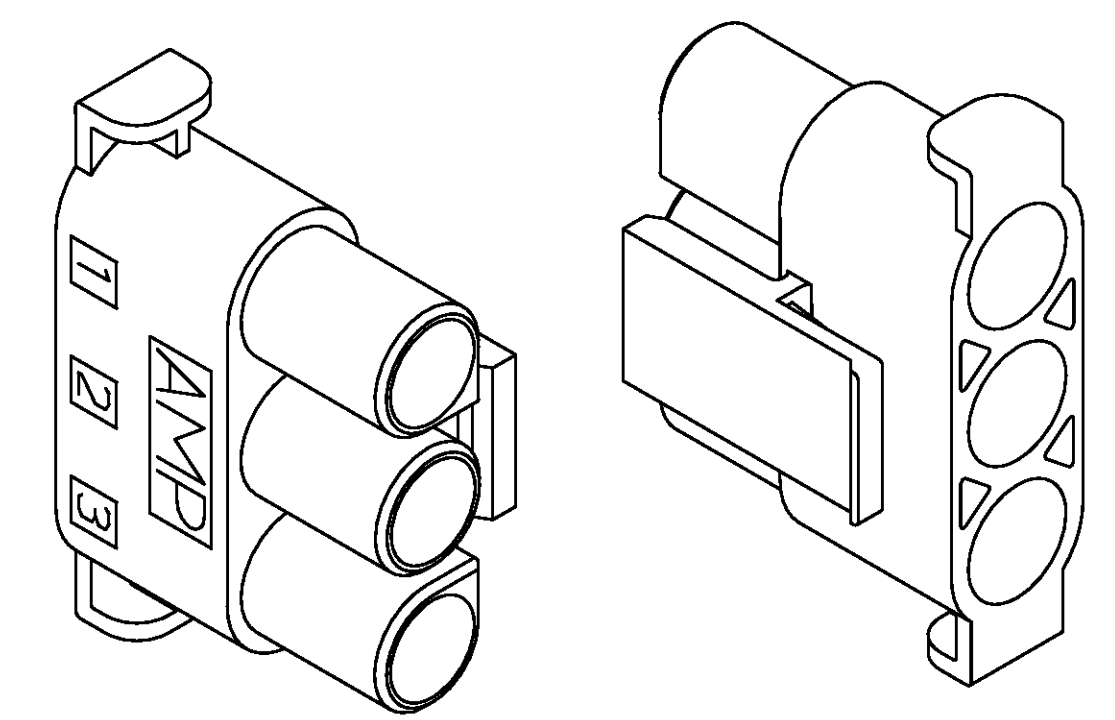
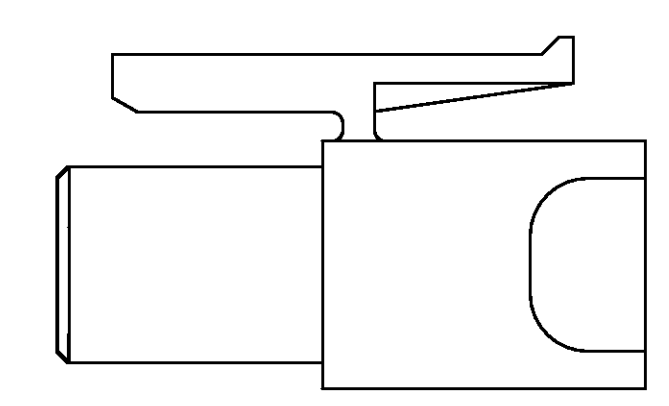
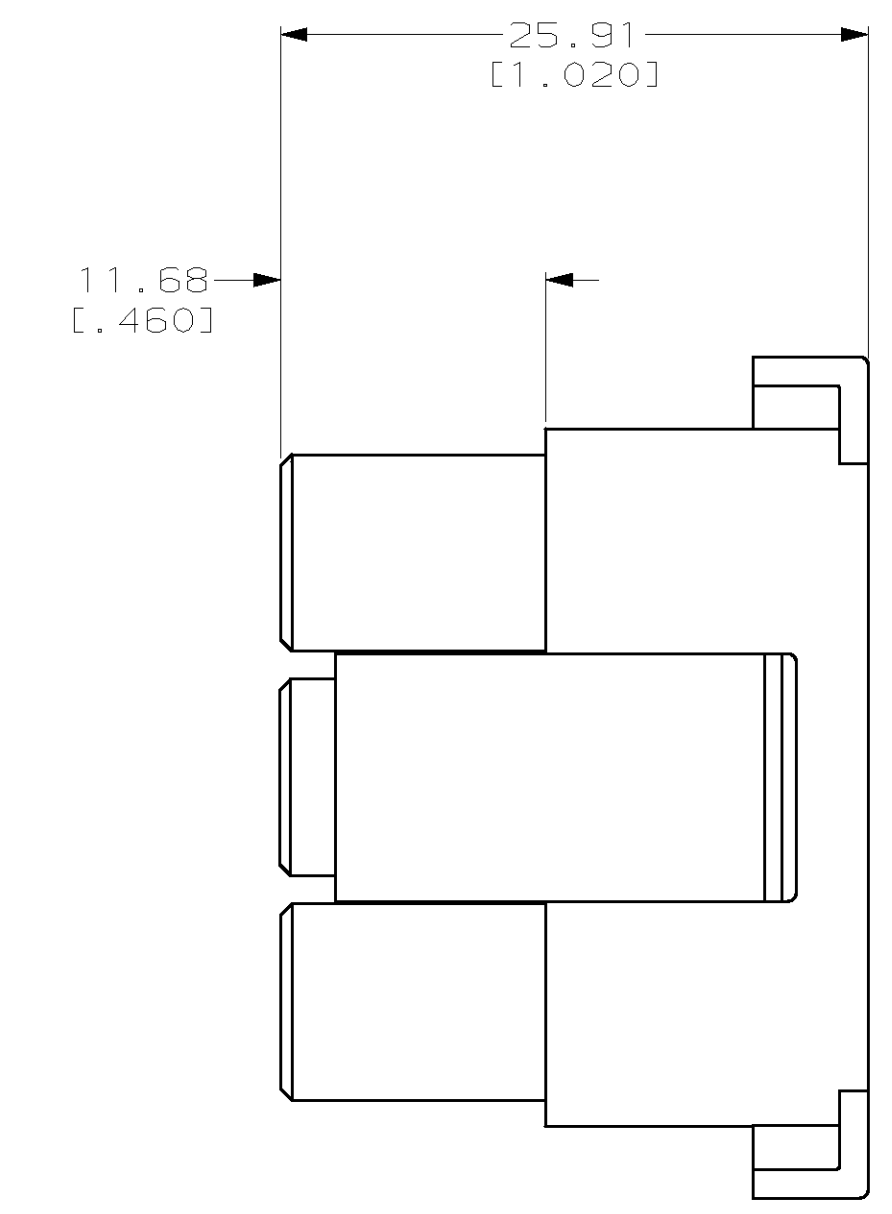
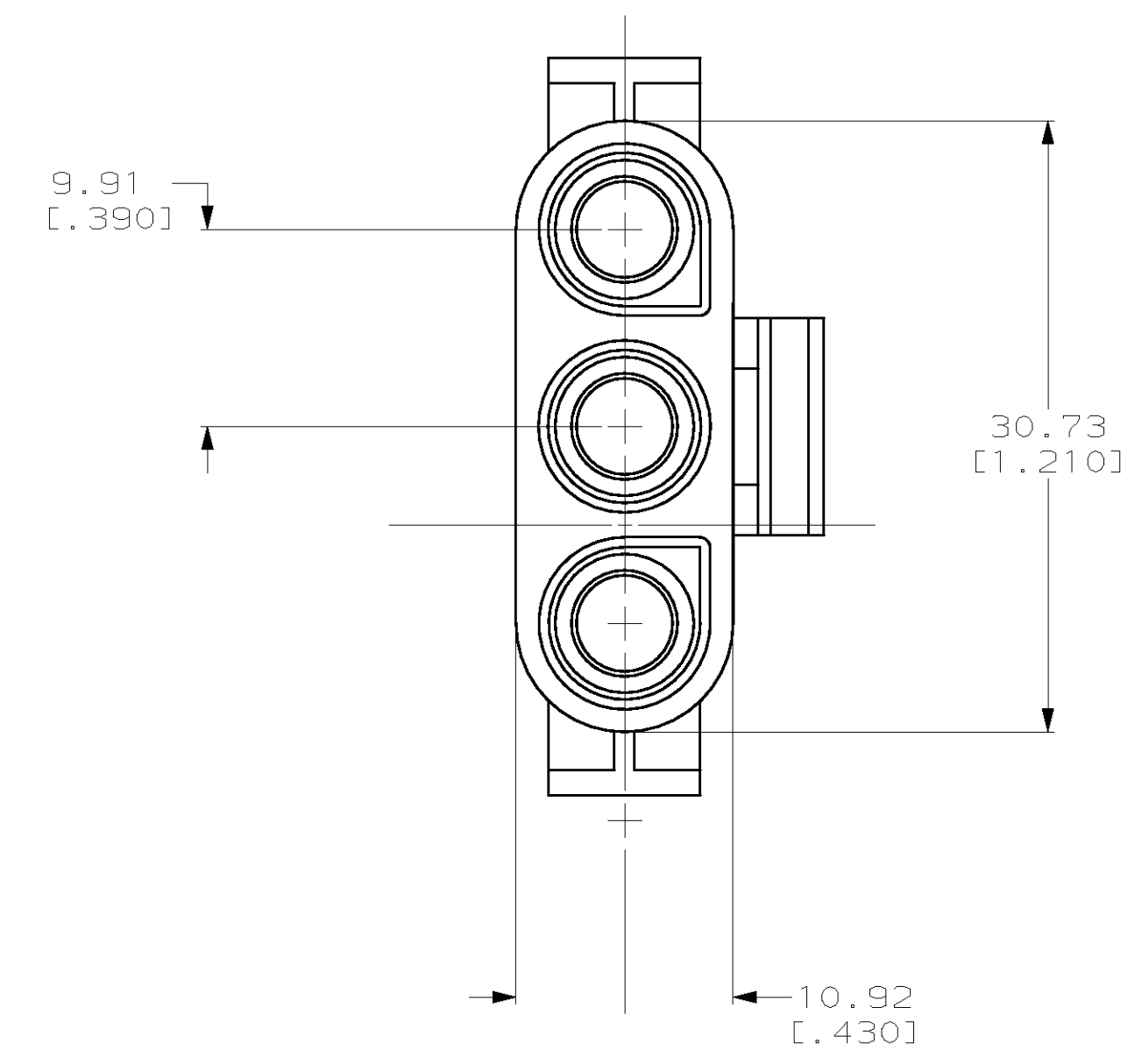
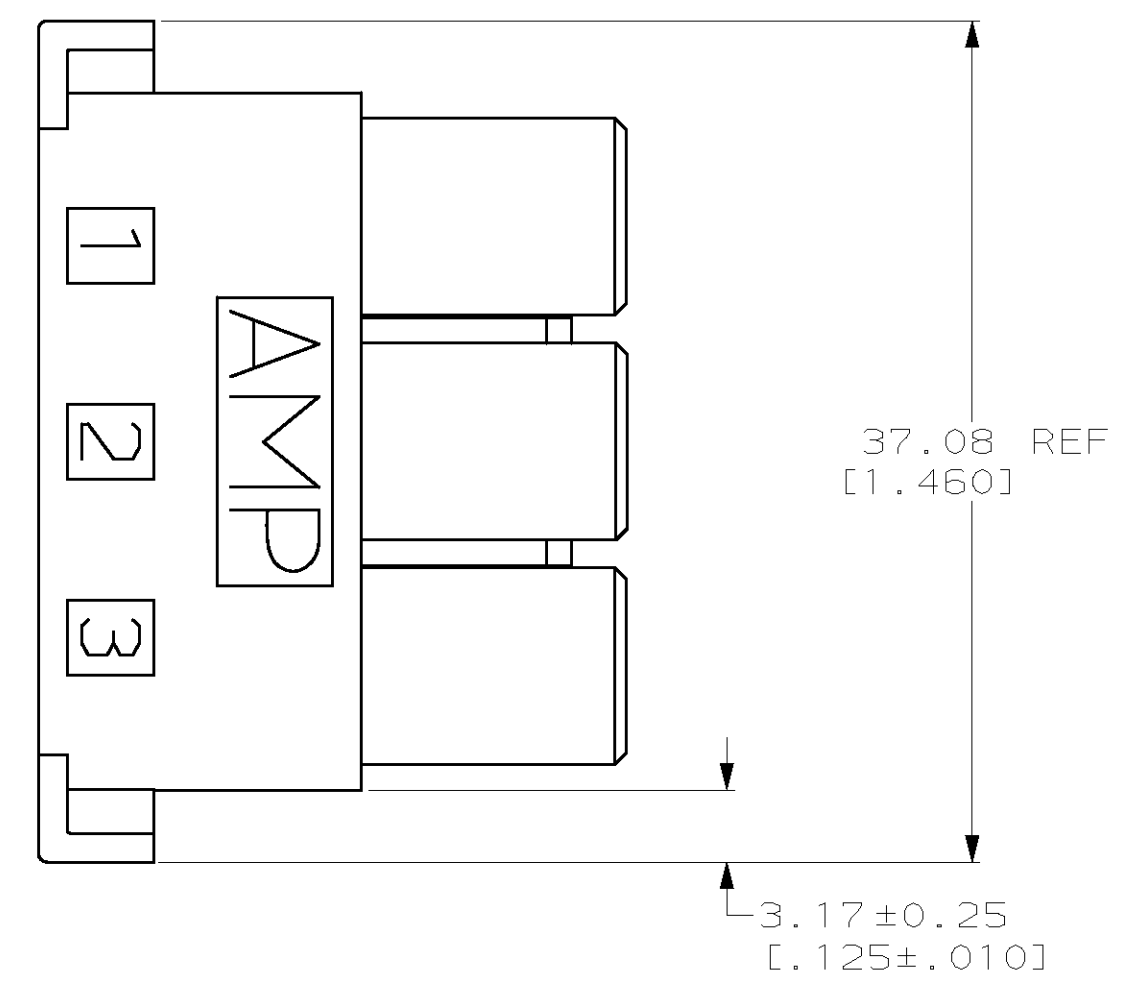


LOC		QTY		REVISIONS			
CM	53	TR	LYR	DESCRIPTION	DATE	OWN	APVD
		0		RLSD PER PR CM 97-92	8-05-97	BL	RS

1. TO BE USED WITH APPROPRIATE 3.96 [.156] MATE-N-LOK SOCKETS.
2. DIMENSIONS IN BRACKETS ARE IN INCHES.



3-DIMENSIONAL MODEL
NTS

794412-1
PART NUMBER



THIS DRAWING IS A CONTROLLED DOCUMENT.		OWN B. LEWIS 8-05-97	AMP Incorporated Harrisburg, PA 17105-3608	
DIMENSIONS: INCHES		CHK R. SWING 8-05-97	APVD C. MARTIN 8-05-97	
TOLERANCES UNLESS OTHERWISE SPECIFIED:		NAME PLUG, 3 CIRCUIT, .156 MATE-N-LOK™		
0.156	± .005	PRODUCT SPEC		
0.156	± .005	APPLICATION SPEC		
0.156	± 0.13 (.005)	SIZE A1		
0.156	± .005	CAGE CODE 00779		
MATERIAL NYLON UL94V-2	FINISH -	DRAWING NO. 794412		
CUSTOMER DRAWING		SCALE 3:1		
		SHEET 1 OF 1		
		REV 0		