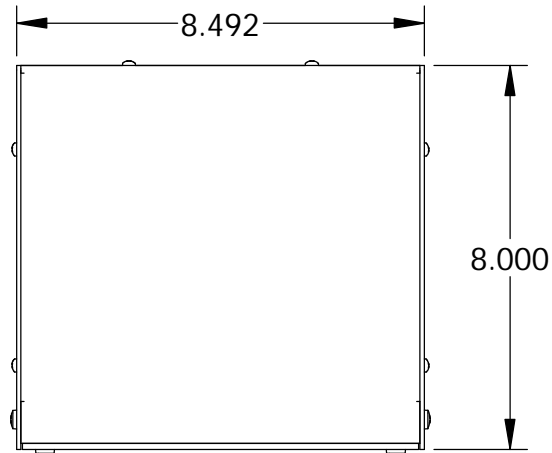
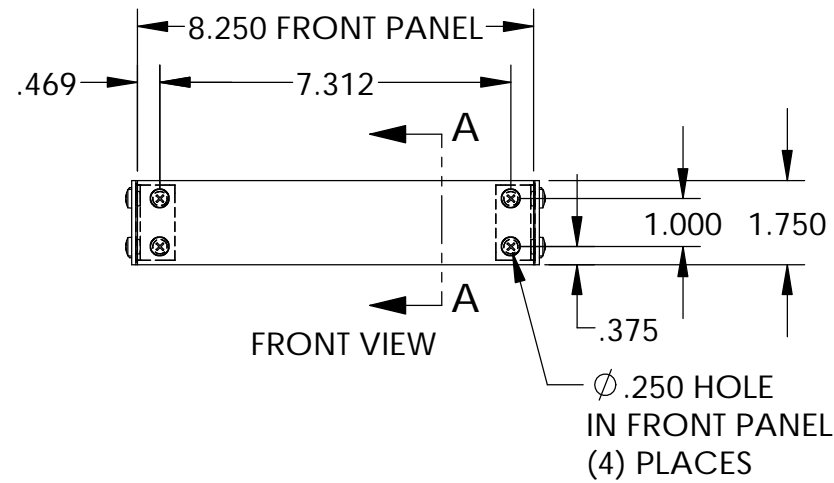


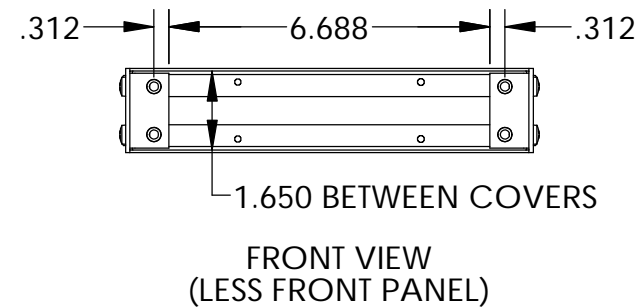
REAR VIEW



TOP VIEW

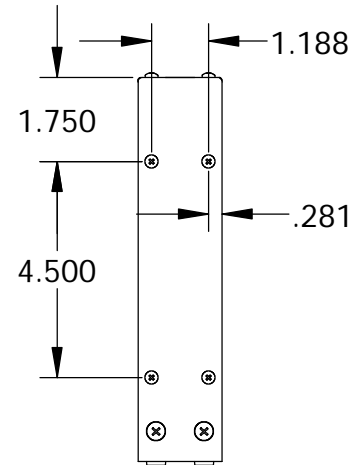


FRONT VIEW

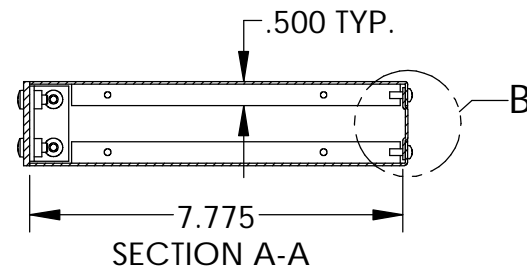


FRONT VIEW (LESS FRONT PANEL)

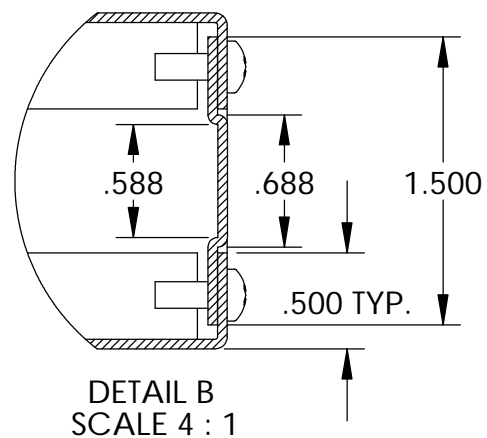
UNIT SHIPPED UNASSEMBLED.
 OPTIONAL SELF-ADHESIVE RUBBER FEET (SUPPLIED)
 LOAD RATING: 25 LBS. MAX.



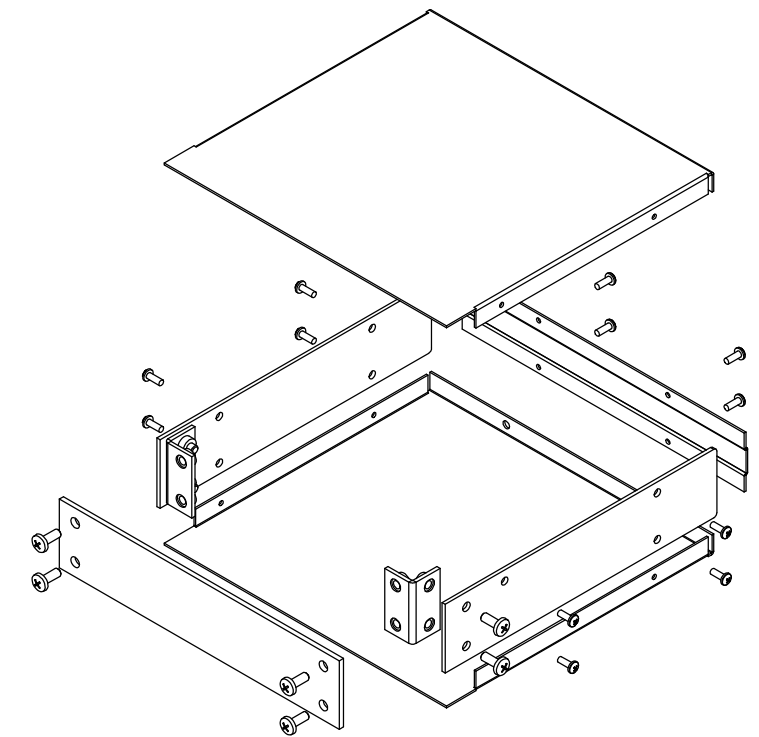
SIDE VIEW



SECTION A-A



DETAIL B
SCALE 4 : 1



MATERIAL:
 BACK & COVERS _____ 0.050 THICK ALUMINUM
 SIDES & INNER BRACKETS _____ 0.090 THICK ALUMINUM
 FRONT PANEL _____ 0.125 THICK ALUMINUM

FINISH:
 BACK & COVERS _____ PREPAINTED SMOOTH WHITE
 SIDES _____ WHITE TEXTURED
 FRONT PANEL _____ NATURAL (OUTSIDE SURFACE TAPED WITH PVC)
 INNER BRACKETS _____ NATURAL
 FEET _____ BLACK