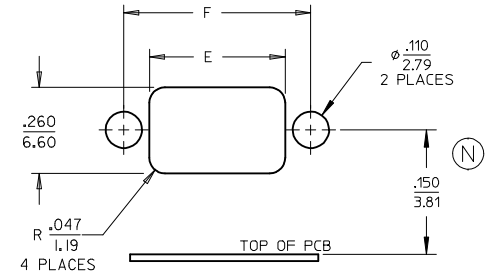
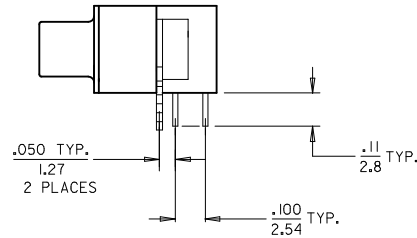
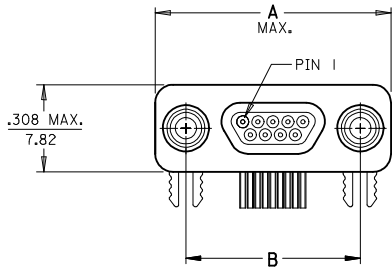
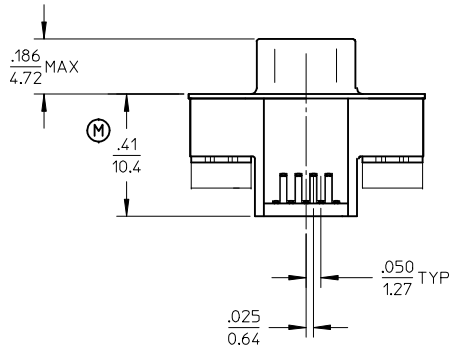


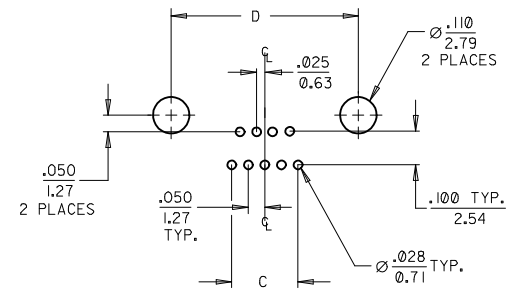
MATERIAL NO.	ENG. NO.	SIZE	A MAX.	B	C	D	E	F
836119016	83611-9016	9	.783/19.93	.565/14.35	.200/5.08	.565/14.35	.410/10.41	.565/14.35
836129022	83612-9022	15	.933/23.75	.715/18.16	.350/8.88	.715/18.16	.560/14.22	.715/18.16
836149014	83614-9014	25	1.18530.10	.965/24.51	.600/15.23	.965/24.51	.810/20.57	.965/24.51



RECOMMENDED
PANEL CUT-OUT



SIZE 9 SHOWN



RECOMMENDED
P.C.B. LAYOUT

SALES DRAWING

3. PART IS RoHS COMPLIANT
 2. MARKING: NONE.
 1. REFER TO PS-83421-9000 FOR PRODUCT SPECIFICATION.
 NOTES: UNLESS OTHERWISE SPECIFIED.

ADD DIM. EC NO: IPG2014-1165 DR: W. BARDEN CHKD: APPR:	DESCRIPTION 2013/12/30	QUALITY SYMBOLS ▽=0 ▽=0	GENERAL TOLERANCES (UNLESS SPECIFIED)		DIMENSION STYLE IN/MM		SCALE	DESIGN UNITS INCH	THIRD ANGLE PROJECTION	
		4 PLACES ± --- ± --- 3 PLACES ± --- ± .010 2 PLACES ± 0.25 ± .01 1 PLACE ± 0.25 ± ---	mm INCH	DRAWN BY JLOMASTR	DATE 06/04/17	TITLE CONNECTOR SUB-ASSEMBLY RIGHT ANGLE PLUG WITHOUT JACKPOSTS SIZE 9-15-25				
		ANGULAR ± 1/2°		CHECKED BY RDEROSS	DATE 06/04/17	MOLEX INCORPORATED				
		DRAFT WHERE APPLICABLE MUST REMAIN WITHIN DIMENSIONS		APPROVED BY RDEROSS	DATE 06/04/17	MATERIAL NO. SEE CHART	DOCUMENT NO. SD-83611-002	SHEET NO. 1 OF 1		