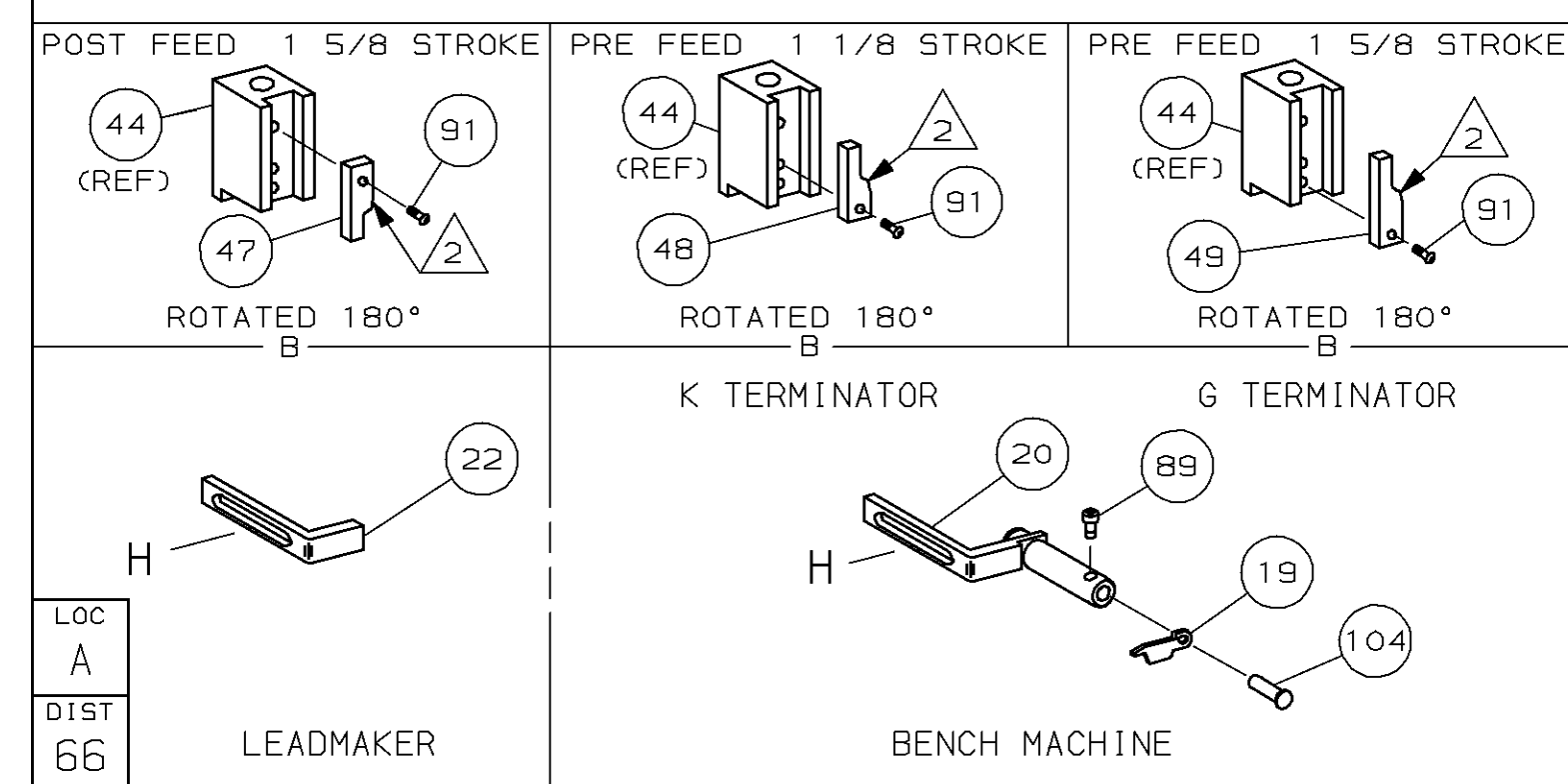
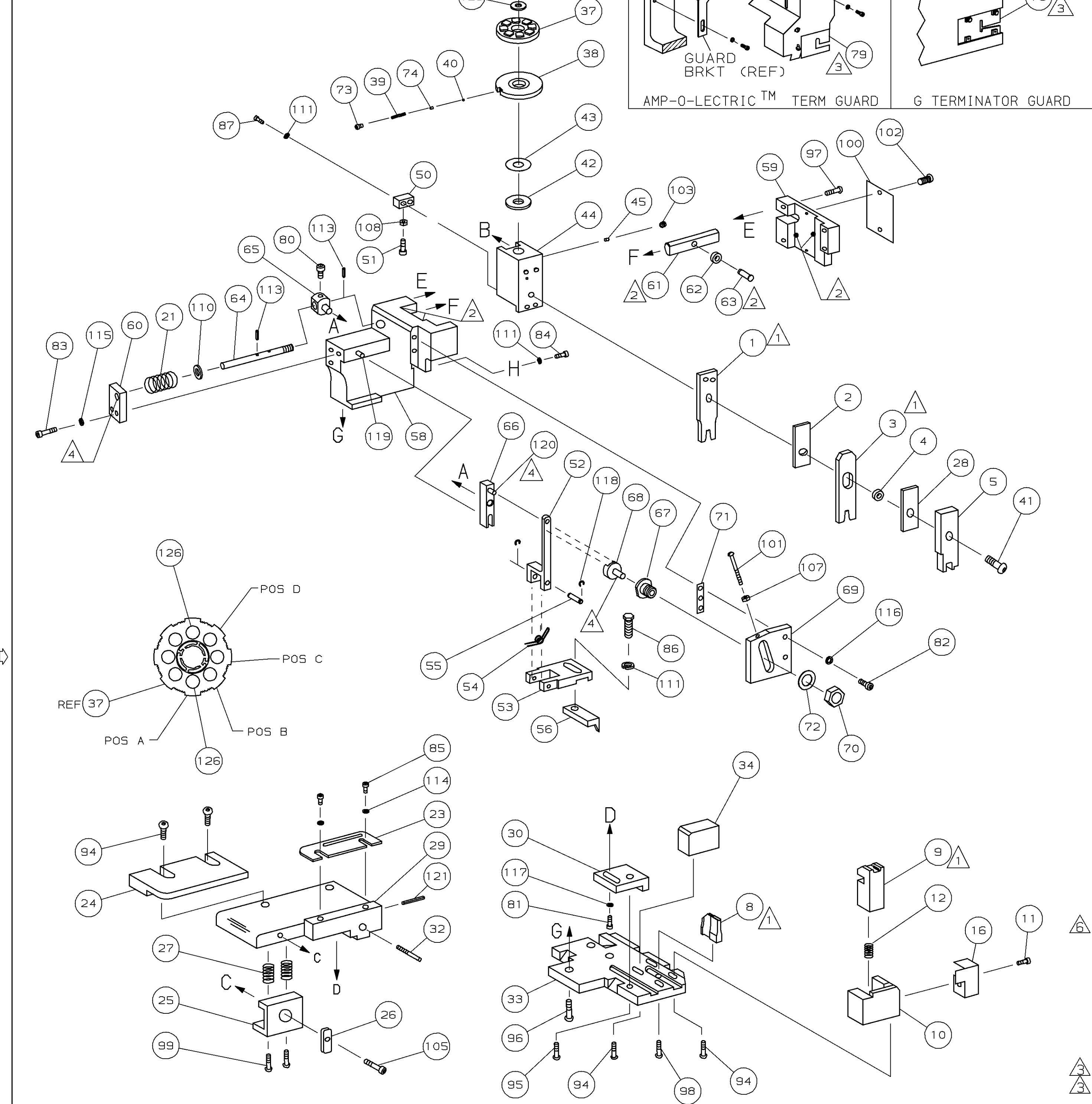


PART NUMBER	REV	FIRST USED
680515-1	A	122500-1
680515-2	A	565435-5
680515-3	A	354500-1



- 1 RECOMMENDED SPARE PARTS.
- 2 GREASE LIGHTLY.
- 3 GUARD MUST BE IN PLACE WHEN OPERATING APPLICATOR IN A BENCH MACHINE.
- 4 LUBRICATE DAILY USING NO. 20 MACHINE OIL.
- 5. ITEMS WITH QTY OF REF SPECIFIED (EXCEPT ITEMS 78 AND 79) ARE USED ON ITEM 46.
- 6 CUT TO LENGTH AT ASSY

TERMINAL NAME: TERMINAL, SOCKET			
286627	CRIMPING DATA		
PAD LTR	CRIMP HEIGHT	WIRE SIZE	
A	.068 ±.002 [1.73 ±0.05mm]	12	
B	NOT	USED	
C	NOT	USED	
D	NOT	USED	
CRIMP	SIZE	TYPE	RANGE
WIRE	.130 [3.30mm]	F	12
INSUL	.155 [3.94mm]	0	φ.118-.137
WIRE STRIP LENGTH	TERM APPL	SPEC	FEED
.203-.219	NONE		.520
			APPL INSTRUCTION
			408-8040
			SET UP GAGE
			458637-1
			LAYOUT
			L1973

QTY	REF	REF	REF	REF	U/M	DWG SIZE	PART NO	DESCRIPTION	ITEM NO
									129
									128
									127
2	2	2	-	C			9-354778-3	PIN, WIRE DISC (.2960)A	126
1	1	1	-	A			986950-1	WASHER, FLAT PRECISION	125
1	1	1	-	A			217238-1	GENERAL INSTRUCTION PACKAGE	124
1	1	1	-	-			4088040	SF APPL INST 408-8040	123
									122
1	1	1	-	A			4-21028-0	PIN,SLT SPR(φ.093x.75)ST GDE PL	121
REF	REF	REF	-	A			1-21030-1	PIN,DOWL(φ.187x.50)LEVER	120
REF	REF	REF	-	A			1-21030-6	PIN,DOWL(φ.187x1.25)HOUSING	119
REF	REF	REF	-	A			21045-3	RING,RET "C"(φ.187)FD FING PIN	118
1	1	1	-	A			21024-5	WASHER, LOCK (#10)ADJ BLK	117
REF	REF	REF	-	A			21024-5	WASHER,LOCK(#10)ADJ PLATE	116
REF	REF	REF	-	A			21024-5	WASHER,LOCK(#10)FEED GDE ROD	115
2	2	2	-	A			21024-2	WASHER,LOCK(#4)FRONT STP GUIDE	114
REF	REF	REF	-	A			5-21028-1	PIN,SLT SPR(φ.125x.50)ADJ ROD	113
									112
4	4	4	-	A			21024-4	WASHER,LOCK(#8)STRIPPER	111
REF	REF	REF	-	A			21899-4	WASHER,FLAT(φ5/16)SCREW ADJ	110
									109
1	1	1	-	A			21018-5	NUT, HEX (NO. 6)HOLDDOWN	108
REF	REF	REF	-	A			21018-5	NUT, HEX (6-32)FEED ADJ	107
									106
1	1	1	-	A			22353-8	SCR,SHLD(φ.187x.25)DRAG LEVER	105
1	1	-	-	A			992031-1	PIN, CLEVIS	104
1	1	1	-	A			21009-2	SCR,SKT SET(1/4-20x.25 LW)RAM	103
2	2	2	-	A			21017-2	SCR,DRIVE(#2x.19)ID PLATE	102
REF	REF	REF	-	A			6-23715-5	SCR,PAN HD(6-32x1.50)FEED ADJ	101
1	1	1	-	B			461264-1	PLATE, IDENTIFICATION	100
2	2	2	-	A			3-21002-0	SCR,BHC(10-32x.88)DRAG	99
1	1	1	-	A			22733-8	SCR,BHC(8-32x.38 LW)ANVIL	98
REF	REF	REF	-	A			2-21002-9	SCR,BHC(10-32x.75)CAP	97
REF	REF	REF	-	A			2-22733-8	SCR,BHC(1/4-20x.62)HOUSING	96
REF	REF	REF	-	A			2-21002-7	SCR,BHC(10-32x.50)SG ADJ BLOCK	95
6	6	6	-	A			2-21002-2	SCR,BHC(8-32x.50)TERM H DWN	94
									93
									92
									91
1	1	1	-	A			1-21002-7	SCR,BHC(6-32x.38)CAM	90
									89
1	1	-	-	A			7-21000-9	SCR,SHC(4-40x.19)STRIPPER	88
									87
2	2	2	-	A			2-21000-7	SCR,SHC(8-32x.48)DEP-HOLD	86
1	1	1	-	A			2-22603-0	SCR,HEX HD(8-32x.31)FEED FINGER	85
2	2	2	-	A			1-21000-3	SCR,SHC(4-40x.25)F ST GUIDE	84
1	1	1	-	A			2-21000-7	SCR,SHC(8-32x.50)STRIPPER	83
REF	REF	REF	-	A			3-21000-7	SCR,SHC(10-32x.75)FEED ROD GD	82
REF	REF	REF	-	A			3-21000-6	SCR,SHC(10-32x.62)FD ADJ BLK	81
1	1	1	-	A			3-21000-4	SCR,SHC(10-32x.38)SG ADJ BL	80
REF	REF	REF	-	A			3-21000-4	SCR,SHC(10-32x.38)PIVOT BLK	79
-	REF	-	-	B			455749-1	GUARD, WINDOW	78
REF	-	-	-	B			679532-1	INSERT, GUARD	77
									76
									75
1	1	1	-	A			690603-1	SPRING, ASSIST	74
1	1	1	-	A			23030-1	SCR,SHC(6-32x.25 SL)INS DISC	73
REF	REF	REF	-	A			458109-1	WASHER, SPECIAL	72
REF	REF	REF	-	A			690517-1	SPACER	71
-3	-2	-1	U/M	DWG SIZE			PART NO	DESCRIPTION	ITEM NO

QTY	REF	REF	REF	REF	U/M	DWG SIZE	PART NO	DESCRIPTION	ITEM NO
									77
									76
									75
									74
									73
									72
									71

LEADMAKER				MECH POST FEED					
BENCH MODEL K				MECH PRE FEED					
BENCH MODEL G				MECH PRE FEED					
REF	REF	REF	-	B	22594-8	NUT, HEX(1/2-20)		70	
REF	REF	REF	-	B	240628-1	PLATE, ADJUSTMENT		69	
REF	REF	REF	-	B	240626-1	SHAFT, PIVOT		68	
REF	REF	REF	-	B	240633-1	BUSHING		67	
REF	REF	REF	-	A	455680-1	LEVER, INTERMEDIATE		66	
REF	REF	REF	-	B	240629-1	BLOCK, PIVOT		65	
REF	REF	REF	-	A	240632-2	SCREW, ADJ FEED ROD		64	
REF	REF	REF	-	B	240659-3	PIN, CAM ROLLER		63	
REF	REF	REF	-	B	240658-1	ROLLER, CAM		62	
REF	REF	REF	-	B	454398-2	ROD, FEED		61	
REF	REF	REF	-	A	454178-1	GUIDE, FEED ROD		60	
REF	REF	REF	-	C	454220-1	CAP, RAM		59	
REF	REF	REF	-	D	454485-1	HOUSING		58	
								57	
								56	
1	1	1	-	B	690542-2	PAWL, FEED		55	
REF	REF	REF	-	B	240624-1	PIN, FEED FINGER		54	
REF	REF	REF	-	B	691499-1	SPRING, FEED FINGER		53	
REF	REF	REF	-	B	690541-1	HOLDER, FEED FINGER		52	
REF	REF	REF	-	A	455679-2	LEVER, TERMINAL FEED ARM		51	
1	1	1	-	A	811242-2	BUMPER, HOLDDOWN		50	
1	1	1	-	A	690753-1	SPACER, TONKER		49	
1	-	-	-	B	690602-6	CAM, PRE-FEED 1 5/8 ST		48	
-	1	-	-	B	690602-5	CAM, PRE-FEED 1 1/8 ST		47	
-	-	1	-	B	690501-4	CAM, POST-FEED 1 5/8 ST		46	
1	1	1	-	B	459456-2	APPLICATOR, BASIC (SUBASSY)		45	
1	1	1	-	A	690191-1	PLUG, NYLON		44	
1	1	1	-	C	455673-1	RAM		43	
1	1	1	-	A	690125-1	WASHER, LAMINATED		42	
1	1	1	-	A	690124-1	WASHER, RAM		41	
1	1	1	-	A	7-21002-9	BOLT, CRIMPER (5/16x1.00)		40	
1	1	1	-	A	23241-6	BALL, STEEL		39	
1	1	1	-	A	690170-1	SPRING, COMPRESSION		38	
1	1	1	-	C	690142-1	DISC, INSULATION		37	
1	1	1	-	D	354777-1	WIRE DISC, PLASTIC		36	
1	1	1	-	A	22480-5	WASHER, SPRING		35	
1	1	1	-	B	690212-1	POST, RAM		34	
1	1	1	-	B	690786-1	SUPPORT, TERMINAL		33	
REF	REF	REF	-	D	455675-1	PLATE, BASE		32	
1	1	1	-	A	690432-3	SCREW, ADJUSTMENT		31	
REF	REF	REF	-	B	455689-1	BLOCK, STRIP GUIDE ADJ		29	
1	1	1	-	C	3-458144-4	PLATE, STRIP GUIDE		28	
1	1	1	-	C	2-455888-1	SPACER, FRONT SHEAR DEP		27	
2	2	2	-	A	1-22284-0	SPRING, DRAG		26	
1	1	1	-	B	240793-1	LEVER, DRAG RELEASE		25	
1	1	1	-	B	240792-1	DRAG, TERMINAL		24	
1	1	1	-	D	90765-7	GUIDE, STRIP (REAR)		23	
1	1	1	-	A	690438-1	GUIDE, STRIP (FRONT)		22	
-	-	1	-	B	690472-2	STRIPPER		21	
REF	REF	REF	-	A	4-22284-9	SPRING, FEED RETURN		20	
1	1	-	-	A	679218-1	STRIPPER WIRE STOP ASSY		19	
1	1	-	-	B	458949-1	STRIPPER		18	
								17	
								16	
1	1	1	-	B	318563-1	GUARD, CHIP, FRONT		15	
								14	
								13	
1	1	1	-	A	5-22280-0	SPRING, SHEAR		12	
1	1	1	-	B	690461-1	STOP, SHEAR		11	
1	1	1	-	C	690459-1	HOLDER, SHEAR (FRONT)		10	
1	1	1	-	C	1-454276-9	SHEAR, FLOAT (FRONT)		9	
1	1	1	-	C	662191-2	ANVIL		8	
								7	
								6	
1	1	1	-	C	1-455889-4	DEPRESSOR, SHEAR (FRONT)		5	
1	1	1	-	B	238011-7	SPACER, BLOCK CRIMPER		4	
1	1	1	-	C	3-683454-0	CRIMPER, INSULATION		3	
1	1	1	-	C	1-455888-3	SPACER, CRIMPER		2	
1	1	1	-	C	1-456410-0	CRIMPER, WIRE		1	
-3	-2	-1	U/M	DWG SIZE			PART NO	DESCRIPTION	ITEM NO

THIS DRAWING IS A CONTROLLED DOCUMENT FOR AMP INCORPORATED. IT IS SUBJECT TO CHANGE AND THE CONTROLLING ENGINEERING ORGANIZATION SHOULD BE CONTACTED FOR THE LATEST REVISION.

THIS INFORMATION IS CONFIDENTIAL AND IS DISCLOSED TO YOU ON CONDITION THAT NO FURTHER DISCLOSURE IS MADE BY YOU TO OTHER THAN AMP PERSONNEL WITHOUT WRITTEN AUTHORIZATION FROM AMP INCORPORATED, HARRISBURG, PA.