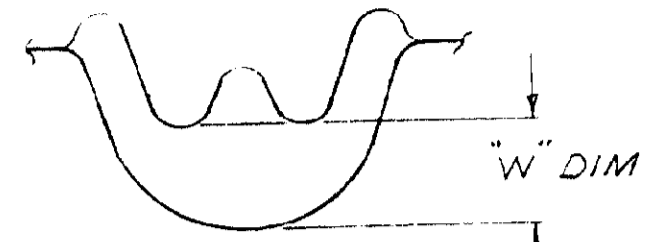
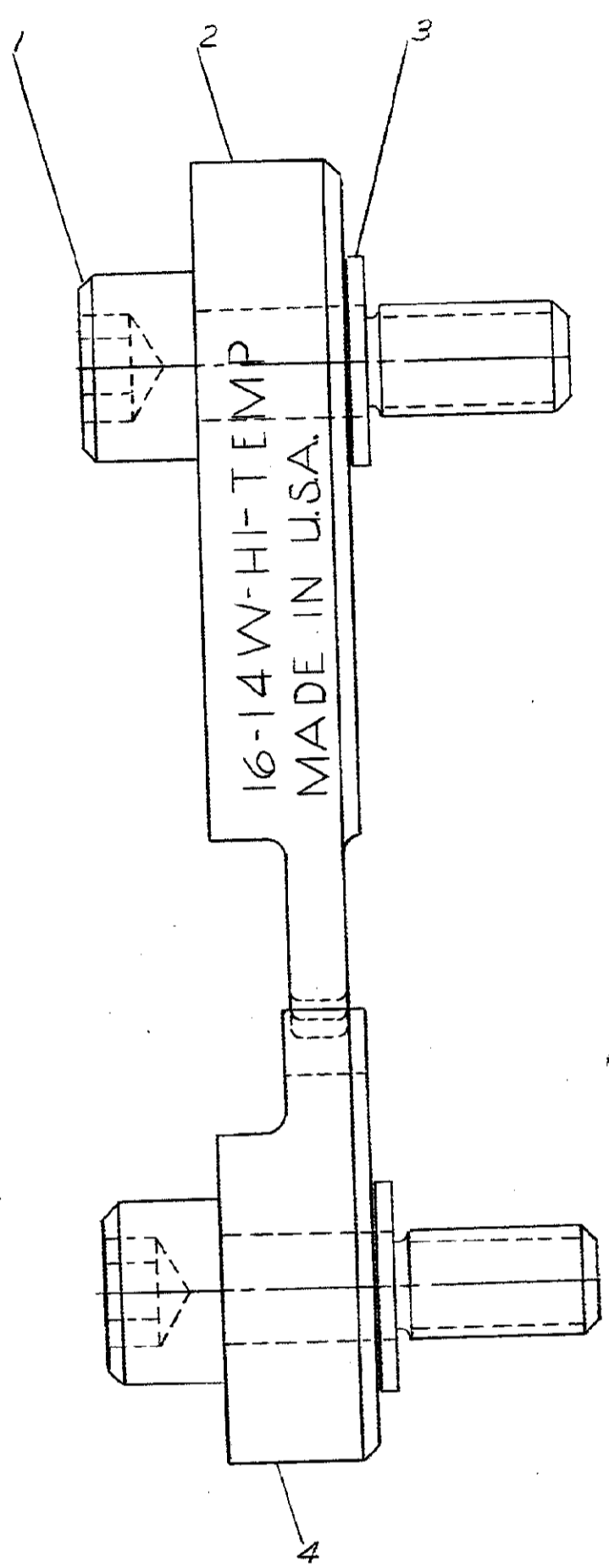
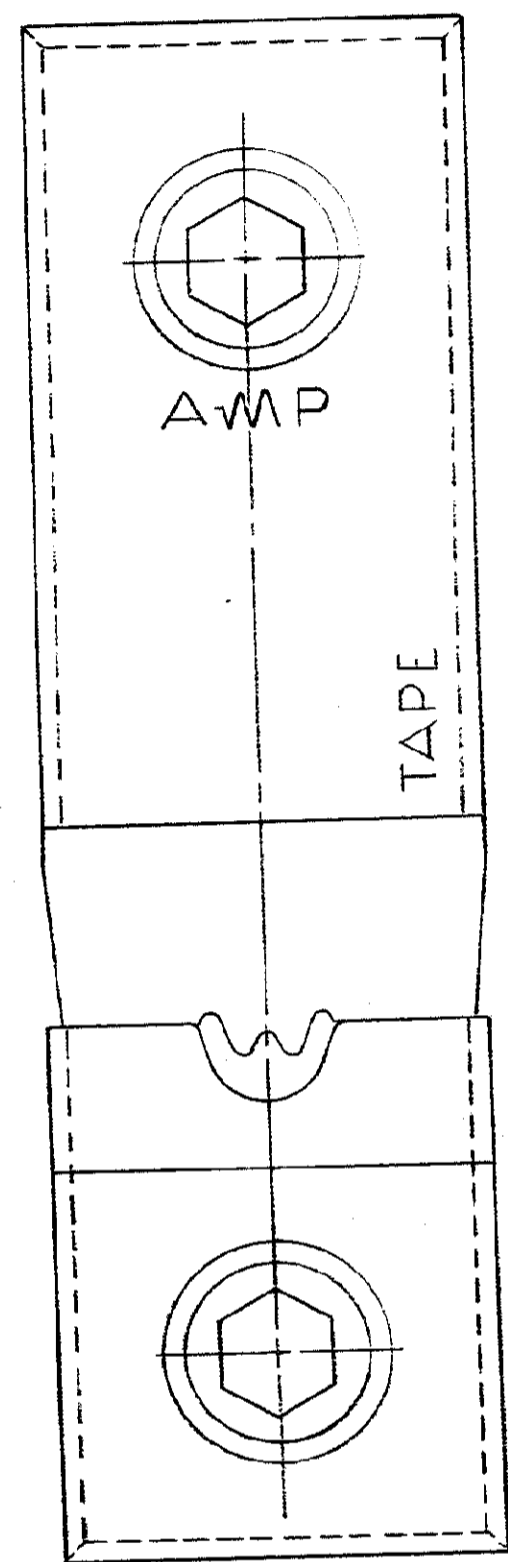
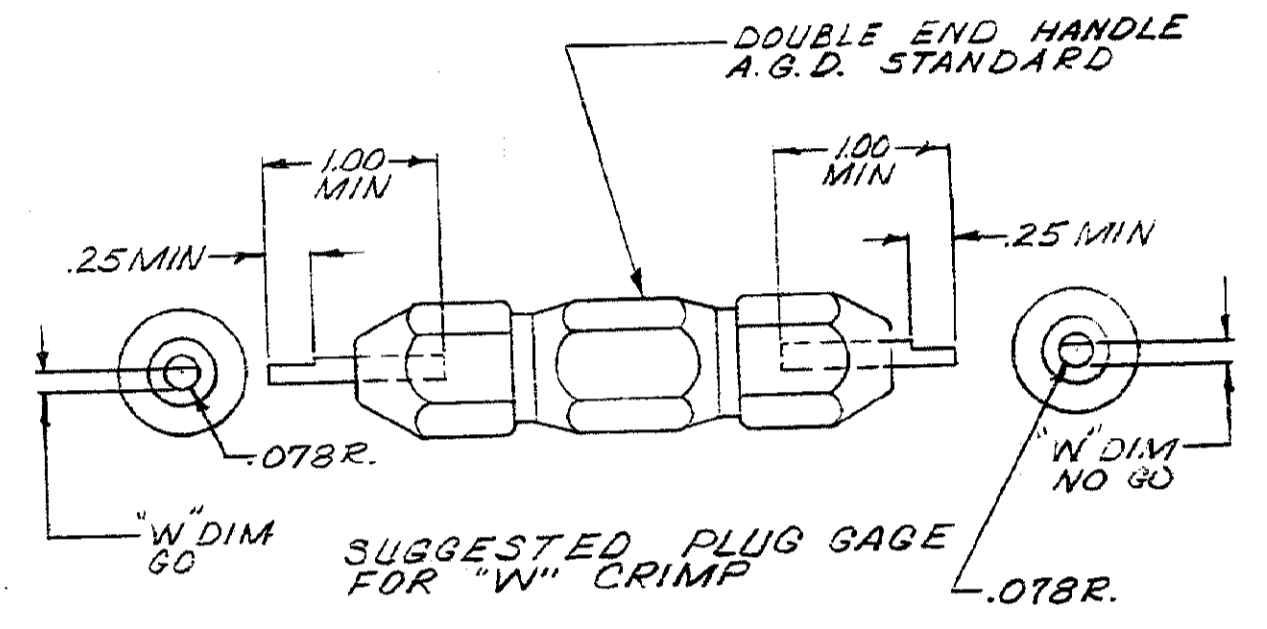


NUMBER 69955



ENLARGED VIEW OF CRIMP

"W" DIM	
GO	NO GO
.059	.065



DIMENSIONS IN INCHES. DO NOT SCALE PRINT

REV	DESCRIPTION	DATE

1	307160-5	NEST	4
2	1-21046-3	RING-RETAINING	3
1	307161-5	INDENTER	2
2	1-59781-3	SCREW-SPECIAL	1

REQUIRED PER ASSEMBLY		©1969 BY AMP INCORPORATED. ALL RIGHTS RESERVED. AMP PRODUCTS COVERED BY PATENTS AND/OR PATENTS PENDING.		CUSTOMER COPY REFERENCE ONLY	
DR	B. Shenfeld 10-31-69	MATERIAL AND FINISH	AMP INCORPORATED HARRISBURG, PENNA.		
CHK	R. J. Jurgens 11-3-69	+	USED ON 69875		
DE	R. J. Jurgens	WIRE - RANGE - INSULATION	TYPE W" HI-TEMP		
		16-14 + +	SCALE 4-1		
		TOLERANCE EXCEPT AS NOTED = .005	REV 69955 0		
DESCRIPTION		DIE ASSEMBLY			