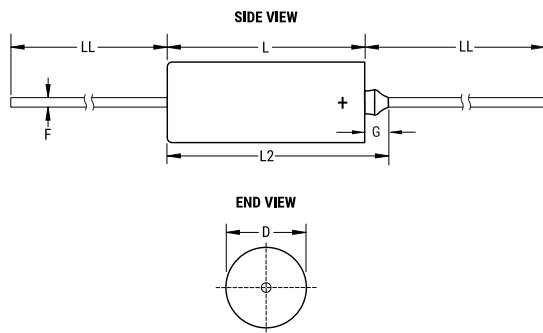


**KEMET Part Number: T262C127K010BS**  
(M39003/09-2017{KEM}, CSR21C127KB)



T262\_CSR21, Tantalum, MnO2 Tantalum, Military/High Reliability, 120 uF, 10%, 10 VDC, 70 mOhms



| Dimensions |                   |
|------------|-------------------|
| D          | 7.34mm +/-0.25mm  |
| L          | 17.42mm +/-0.79mm |
| L2         | 20.88mm           |
| LL         | 38.1mm +/-6.35mm  |
| F          | 0.64mm +/-0.05mm  |
| G          | 3.46mm +0.79mm    |

| Packaging Specifications |            |
|--------------------------|------------|
| Packaging:               | Bulk, Tray |
| Packaging Quantity:      | 20         |

| General Information |  |
|---------------------|--|
| Supplier:           | KEMET  |
| Series:             | T262_CSR21   |
| Dielectric:         | MnO2 Tantalum  |
| Style:              | Axial Hermetic   |
| Description:        | Axial, Solid Tantalum, Hermetically Sealed, Military, CSR21 Style  |
| Features:           | Low ESR, High Current  |
| RoHS:               | No   |
| Termination:        | Lead (SnPb)  |
| Lead:               | Wire Leads   |
| Qualifications:     | MIL-PRF-39003, CSR21   |
| Construction:       | Hermetic   |
| Miscellaneous:      | Ripple Current Rating Shown Is At 40Khz And 25C; ESR Is Per MIL-PRF-39003/9.   |
| Notes:              | Dimensions Include Insulating Sleeve. Lead Length Shown Is For Parts Supplied With Bulk Packaging, When Supplied On T&R Or Ammo, Lead Length Is Determined By Taping Specification |

| Specifications           |  |
|--------------------------|--|
| Capacitance:             | 120 uF   |
| Capacitance Tolerance:   | 10%  |
| Voltage DC:              | 10 VDC (85C), 9 VDC (125C Surge), 0.1 VDC (125C Reverse) |
| Temperature Range:       | -55/+125C  |
| Failure Rate:            | B (0.1%/1000 Hrs)  |
| Resistance:              | 0.07 Ohms (100kHz)                                       |
| Ripple Current:          | 3200 mAmps (100kHz)                                      |
| Leakage Current:         | 6 uA   |
| Testing and Reliability: | Standard Testing To MIL-PRF-39003                        |

Statements of suitability for certain applications are based on our knowledge of typical operating conditions for such applications, but are not intended to constitute - and we specifically disclaim - any warranty concerning suitability for a specific customer application or use. This Information is intended for use only by customers who have the requisite experience and capability to determine the correct products for their application. Any technical advice inferred from this Information or otherwise provided by us with reference to the use of our products is given gratis, and we assume no obligation or liability for the advice given or results obtained.



© 2006 - 2018 IntelliData.net