

THIS DRAWING IS UNPUBLISHED.

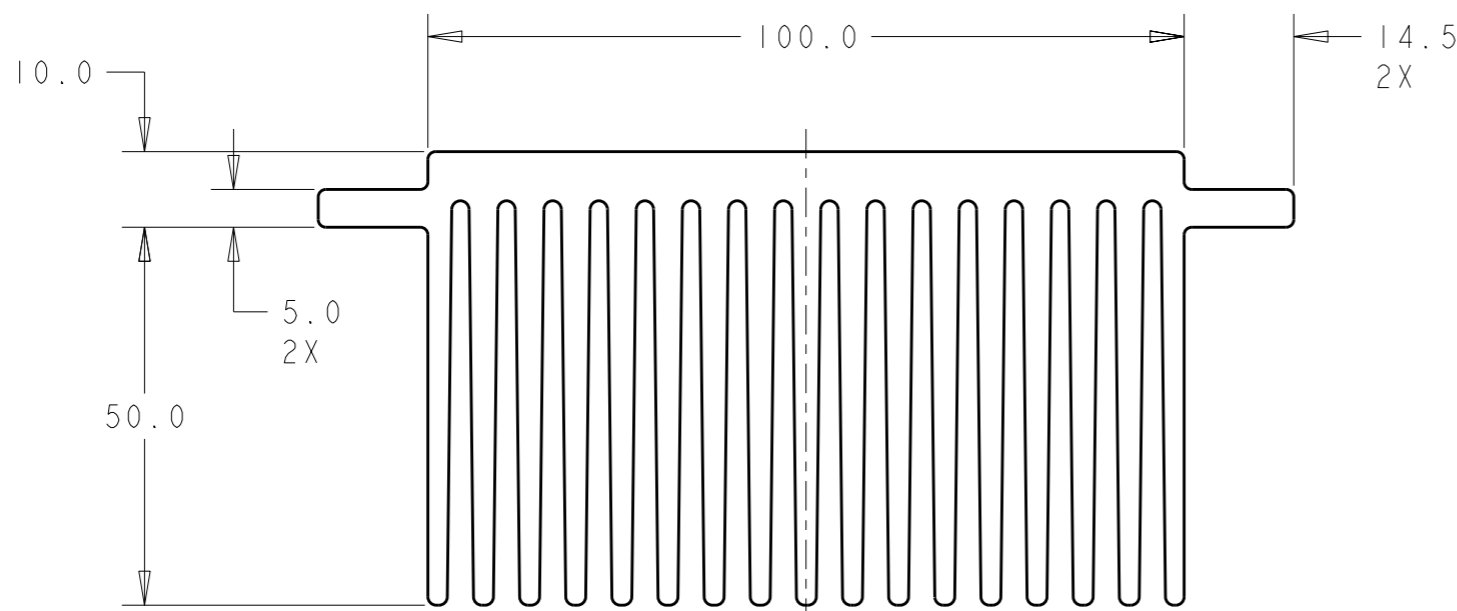
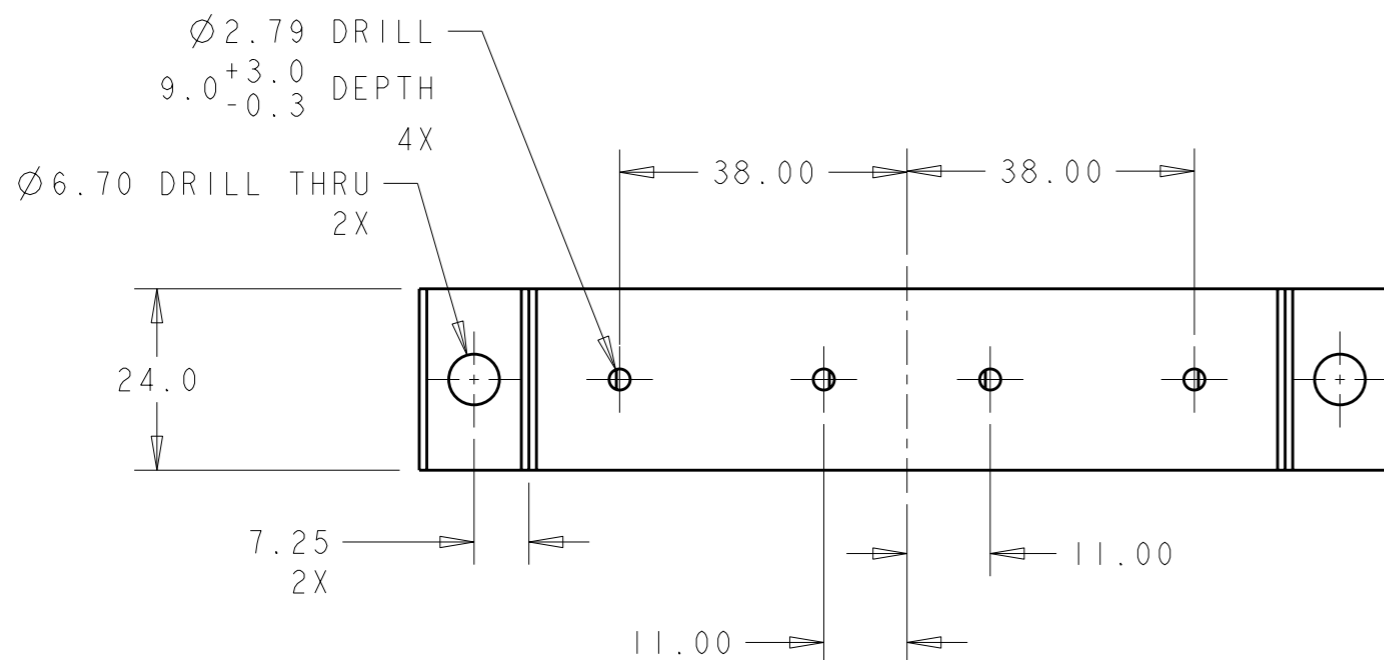
RELEASED FOR PUBLICATION

20

© COPYRIGHT 20

BY TYCO ELECTRONICS CORPORATION. ALL INTERNATIONAL RIGHTS RESERVED.

LOC	DIST	REVISIONS					
		P	LTR	DESCRIPTION	DATE	DWN	APVD
-	-		1	PROPOSED	14SEP2010	CD	MM
			2	DRILL DEPTH CHANGED TO 9.0	01DEC2010	CD	MM
			3	OBSOLETE	25JAN2012	MM	MM



△ MATERIAL:
-HEAT SINK: ALUMINUM

2. MUST COMPLY WITH DIRECTIVE 2002/95/EC (ROHS)

OBSOLETE

TYCO ELECTRONICS
CONFIDENTIAL
AND PROPRIETARY

PROPOSED DESIGN
NOT PRODUCTION TOOLED

DESIGN IS SUBJECT TO
CHANGE WITHOUT NOTICE

2154168-1

PART NUMBER

THIS DRAWING IS A CONTROLLED DOCUMENT FOR TYCO ELECTRONICS CORPORATION IT IS SUBJECT TO CHANGE AND THE CONTROLLING ENGINEERING ORGANIZATION SHOULD BE CONTACTED FOR THE LATEST REVISION.		DWN	14SEP2010		 Tyco Electronics Corporation Harrisburg, PA 17105-3608
DIMENSIONS: mm		CHK	14SEP2010		
		APVD	-		
TOLERANCES UNLESS OTHERWISE SPECIFIED: 0 PLC ±- 1 PLC ±0.2 2 PLC ±0.13 3 PLC ±- 4 PLC ±- ANGLES ±3°		NAME	HEAT SINK, 24 X 100 BOARD		
MATERIAL	FINISH	PRODUCT SPEC	-		RESTRICTED TO
△	-	APPLICATION SPEC	-		SIZE
		WEIGHT	-		CAGE CODE
		CUSTOMER DRAWING	A300779		DRAWING NO
		SCALE	C=2154168		REV
		SHEET	OF		3