

Series **D XX P 24A 6 XX 22 LF**

Number of contacts
09 , 15 , 25

Contacts
P : Pin

Plating
6 - 500 Mating / Unmating Mini

Packaging specification

Tape and Reel For connector with cap

See Note RoHS

Termination

Code	Type	Foot Print/Pitch	Length of termination	PCB thickness
24A	Straight version	6 / 2.84mm	2	1.6

NOTE RoHS INFORMATION

- The "LF" product meet european union Directives and other country regulations as described in GS-22-008.
- The housing will withstand exposure to 260° peak temperature for 30 seconds in a convection , infra-red or vapor reflow oven. See application notes/procedures if are available.
- Termination plating spec: 1.27µ Nickel mini, 2.5 to 7.5µ Sn(pure mate)
- Shell plating : Nickel bright
- Accessories : Sn pure bright
- Packaging spec ; See GS-14-920

Mounting Options

RL	Insert M3
RV	Female Screw UNC 4-40
RX	Insert UNC 4-40

Product Specification

see : GS-12-372

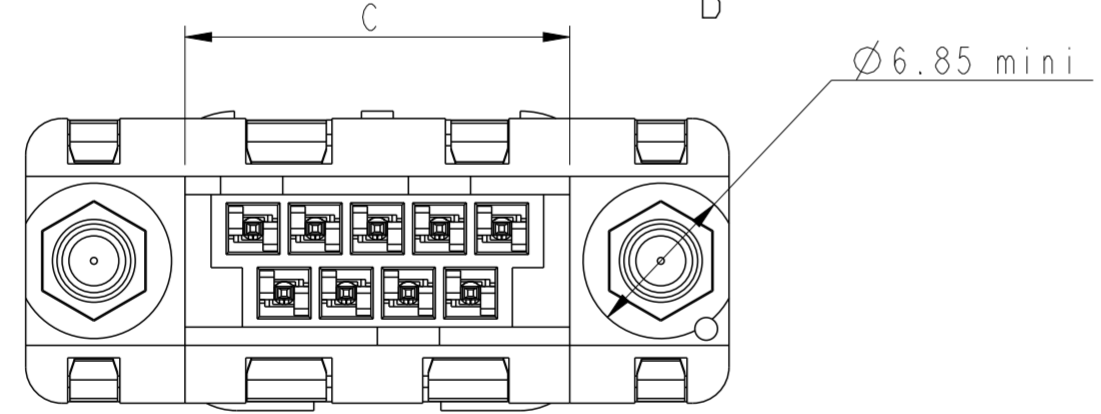
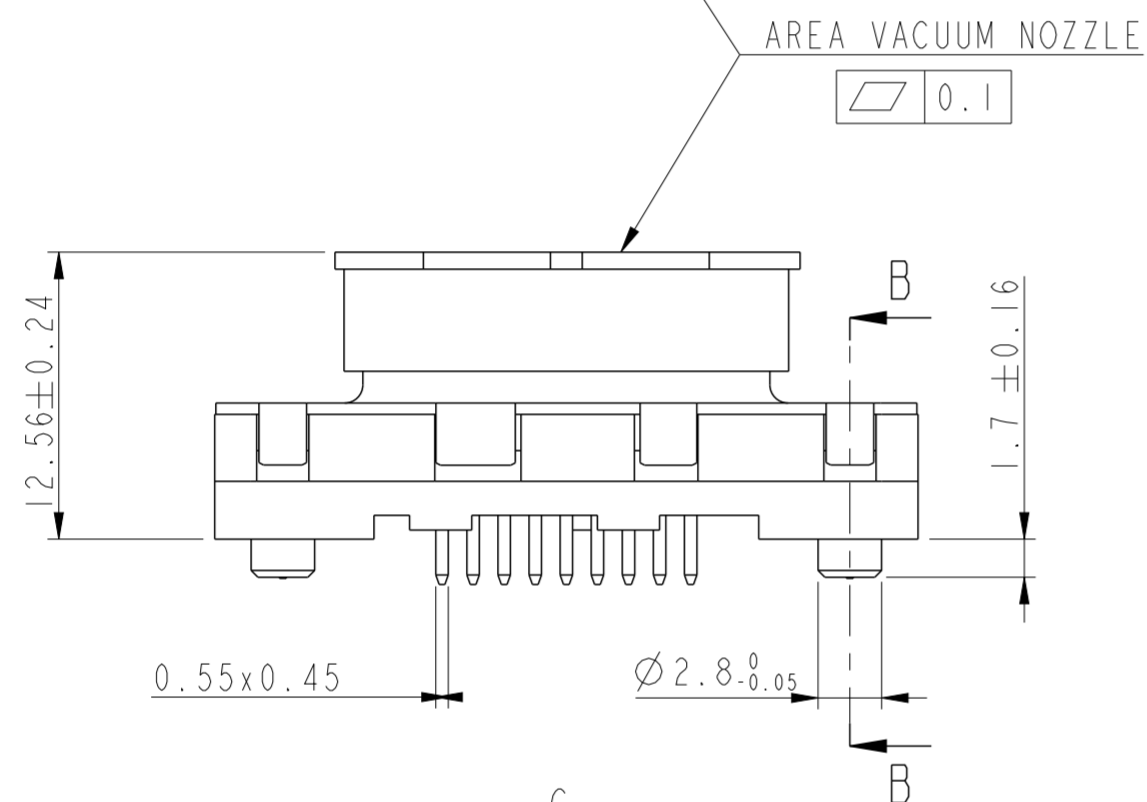
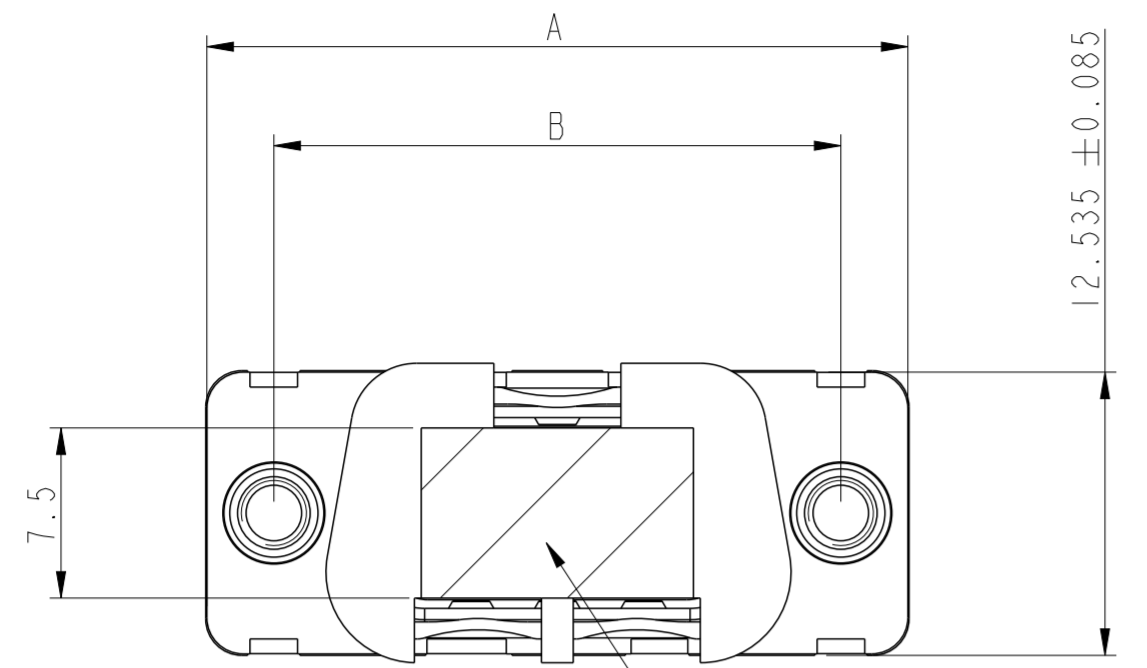
Packaging Specification

See GS-14-1052

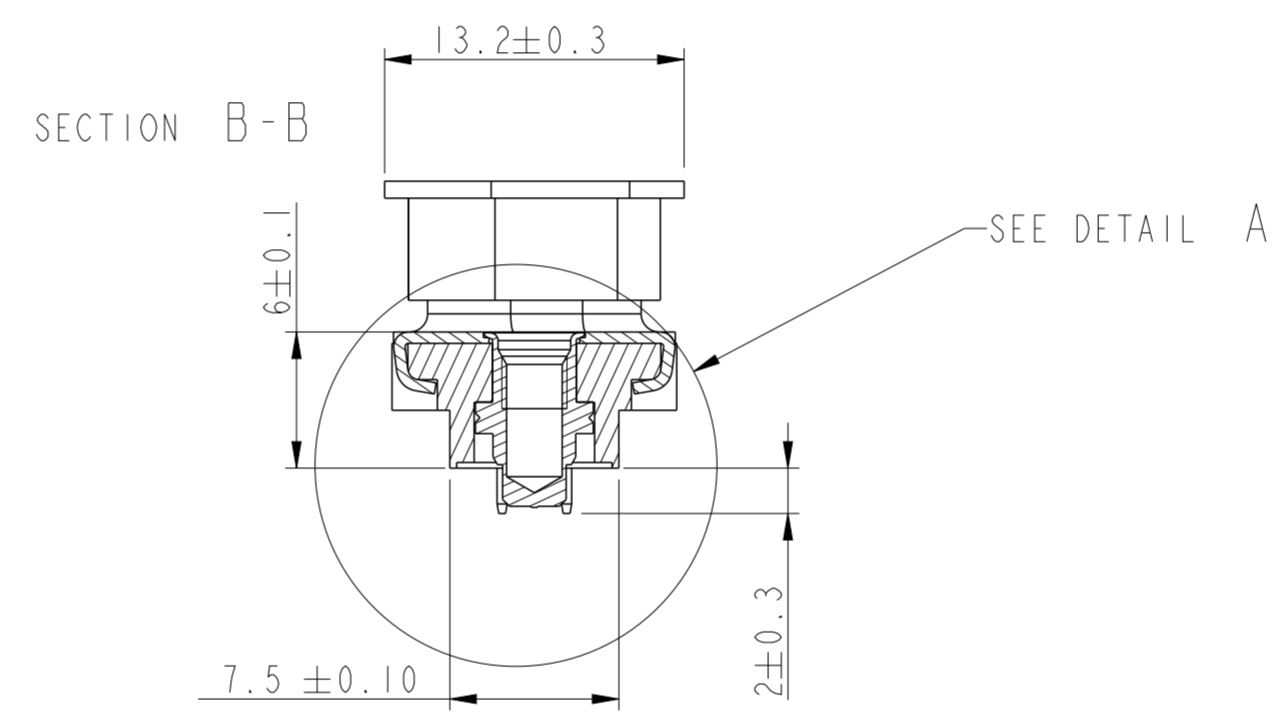
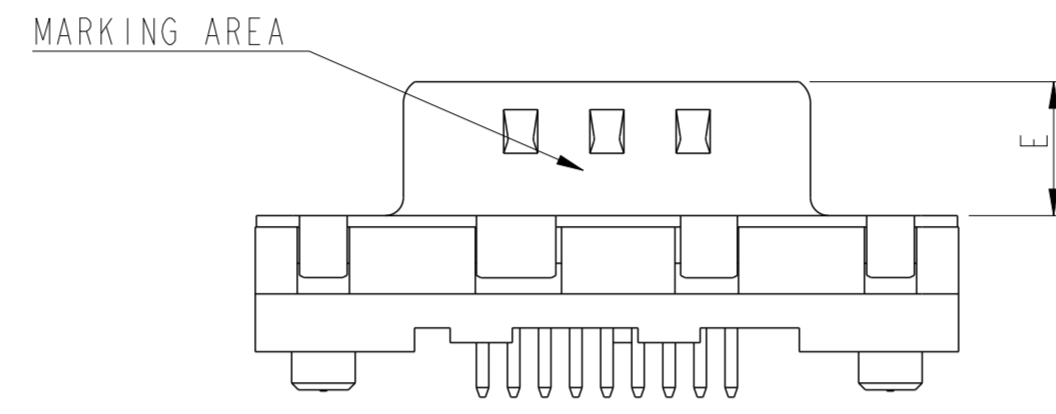
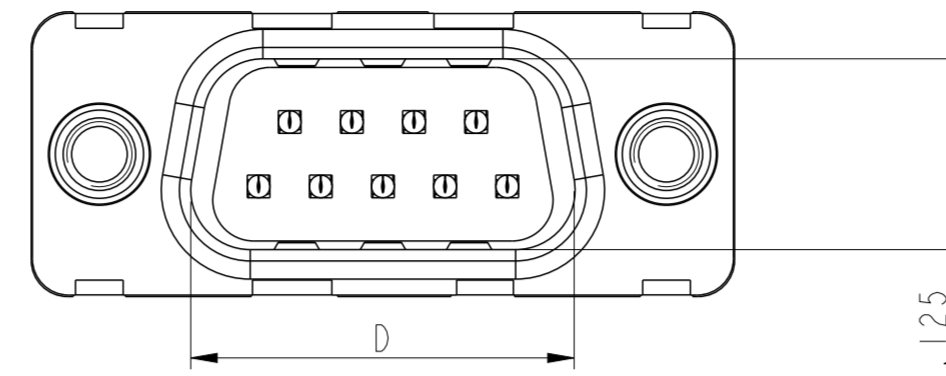
ltr	ecn no	dr	date
H	110-0197	NG	2010-10-14
-	-	-	-
-	-	-	-
D	LS06-0220	PCR	2006/12/21
E	LS07-0007	PCR	2007/01/11
F	LS07-0050	HLE	2007/03/02
G	110-0120	NG-	2010-05-27

www.fciconnect.com		surface <input checked="" type="checkbox"/> ISO 1302	tolerance std ISO 406 ISO 1101	projection	mm
TOLERANCES UNLESS OTHERWISE SPECIFIED					
Dr	H.LEGALLIC	02/02/06	ANGULAR	0.X ±0.3	size A3
Eng	H.LEGALLIC	02/02/06	LINEAR	0.XX ±0.1	Scale 2:1
Chr	NIRMAL G	2010-10-14	0° ±2°	0.XXX ±0.05	ECN 110-0197
Appr	SUDHIR V	2010-10-14	Product family	SUB DELTA D PIP	Spec ref -
FCi			SUB DELTA D PIP MALE		Rev. H
straight for tape and reel packaging			catalog no	SEE TABLE	Customer COPY
dwg no			C01-8646-0874		sheet 1 of 2

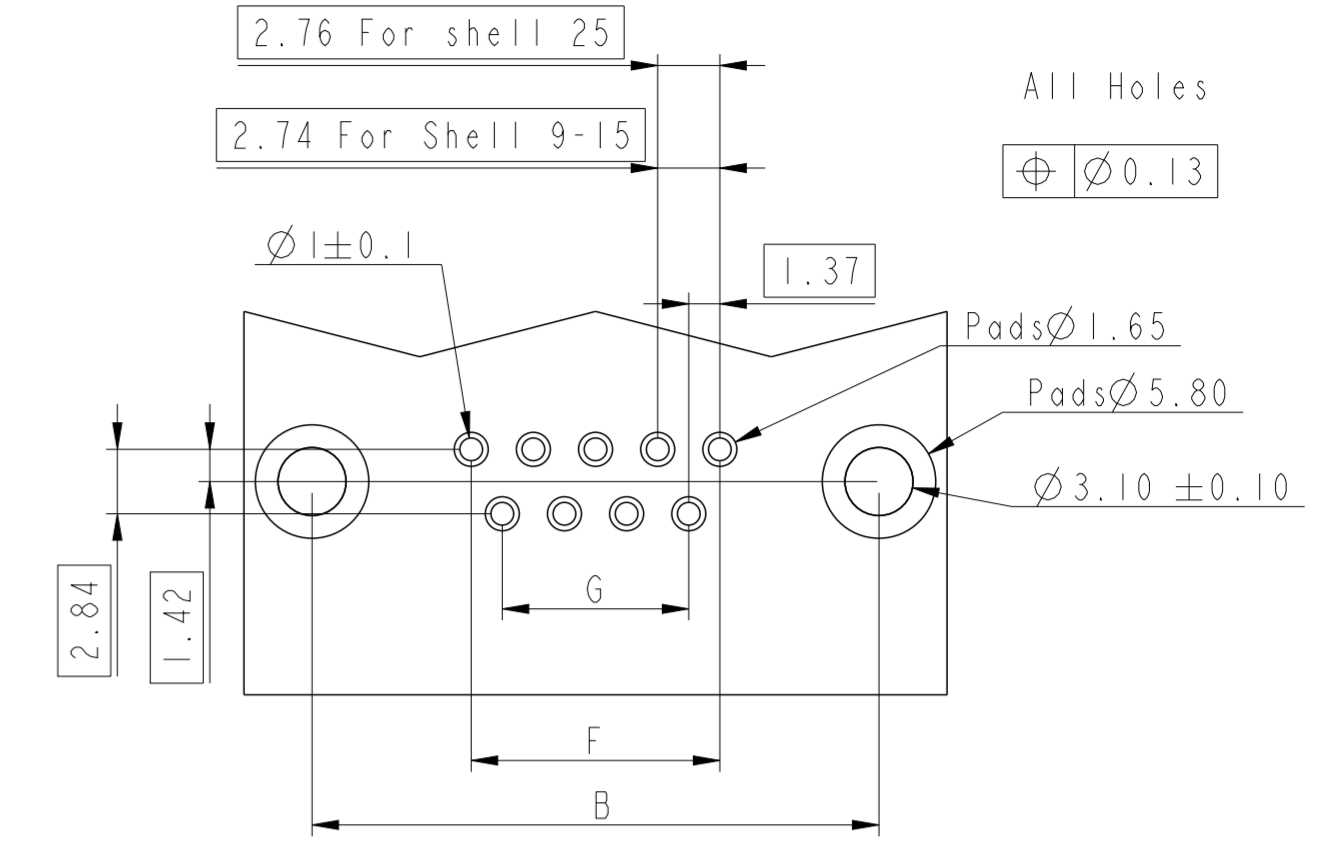
With CAP



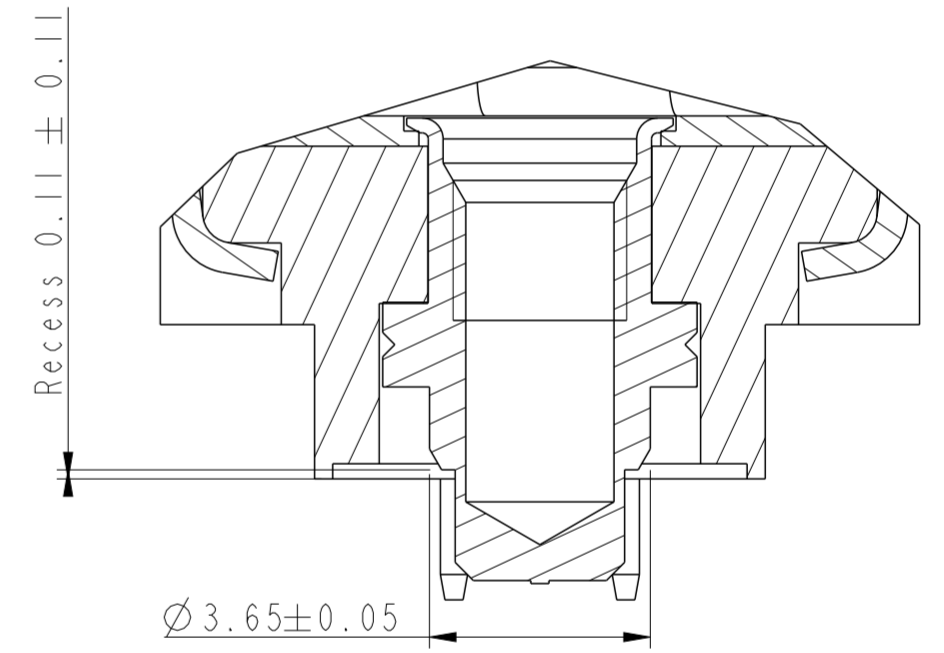
Without CAP



PCB Card Drilling dimensions and Pads recommended (after plating - Thickness : 1.60 mm)



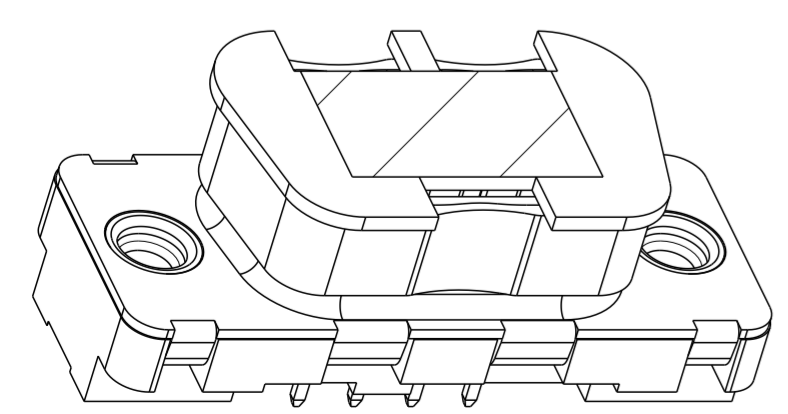
DETAIL A
SCALE 8:1



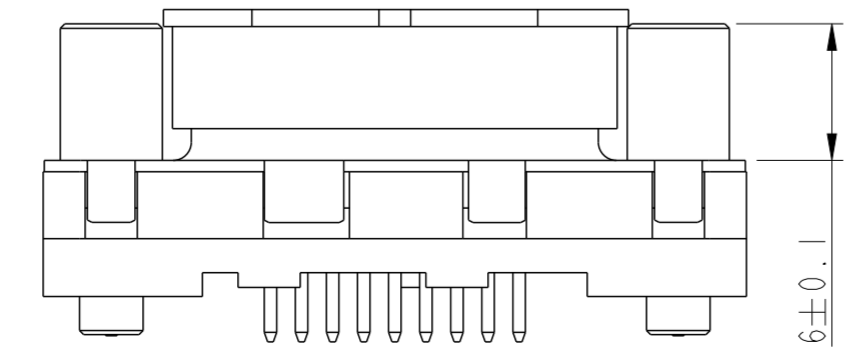
TRUE POSITIONING : $\oplus \varnothing 0.36$

SHELL	P/N LEAD FREE	A ±0.38	B ±0.10	C ±0.10	D +0.25 0	E +0.15 0	F	G
09	D09P24A6xx22LF	30.81	24.99	16.96	16.79	5.9	10.96	8.22
15	D15P24A6xx22LF	39.14	33.32	25.18	25.12	5.9	19.18	16.44
25	D2524A6xx22LF	53.03	47.04	39.12	38.84	5.7	33.12	30.36

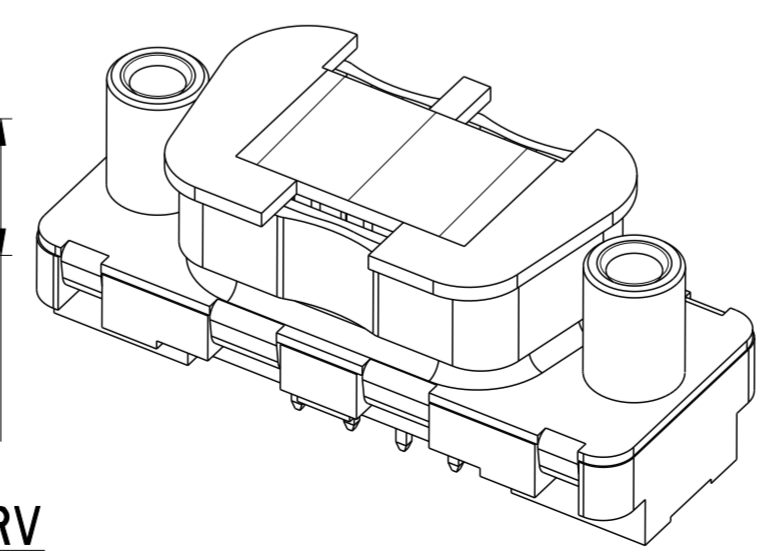
Accessories details



TYPE RX / RL



TYPE RV



www.fciconnect.com		surface - ✓ ISO 1302		tolerance std ISO 406 ISO 1101		projection mm	
TOLERANCES UNLESS OTHERWISE SPECIFIED							
Dr	H.LEGALLIC	02/02/06	ANGULAR	0.x	±0.3	size	Scale
Eng	H.LEGALLIC	02/02/06	LINEAR	0.xx	±0.1	A2	3:1
Chr	NIRMAL G	2010-10-14	0° ±2°	0.xxx	±0.05	ECN	110-0197
Appr	SUDHIR V	2010-10-14	Product family	SUB DELTA D PIP		Spec ref	-
FCJ		Title		SUB DELTA D PIP MALE		Rev.	
		straight for tape and reel packaging		C01-8646-0874		H	
catalog no		SEE TABLE		CUSTOMER COPY		sheet 2 of 2	

Copyright FCJ