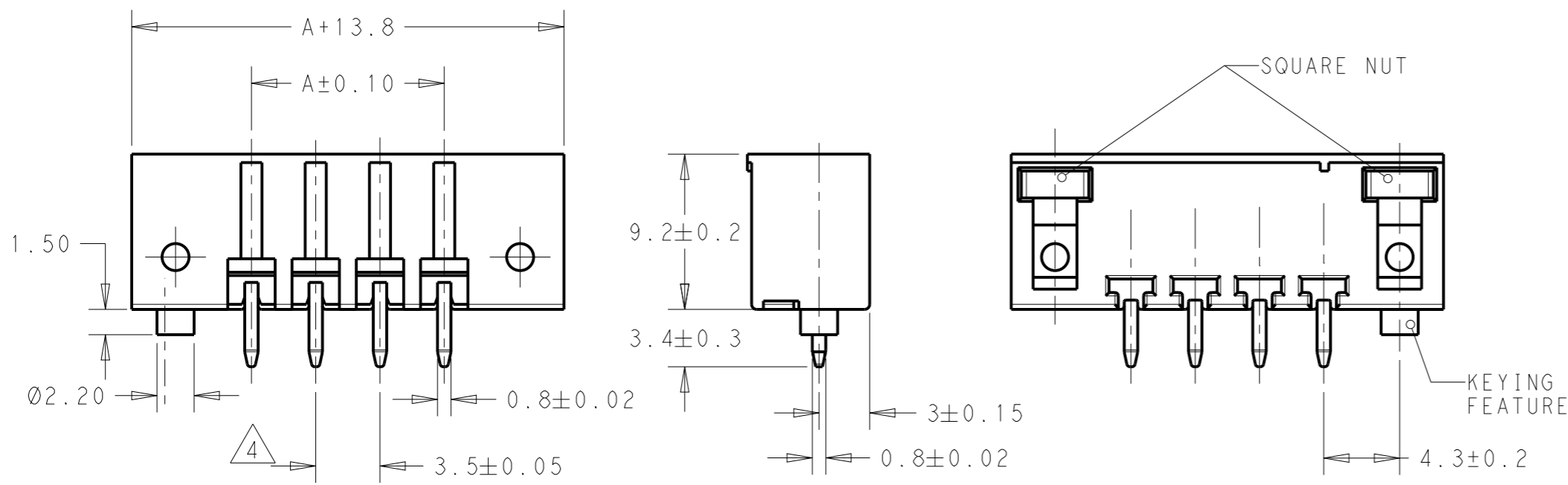


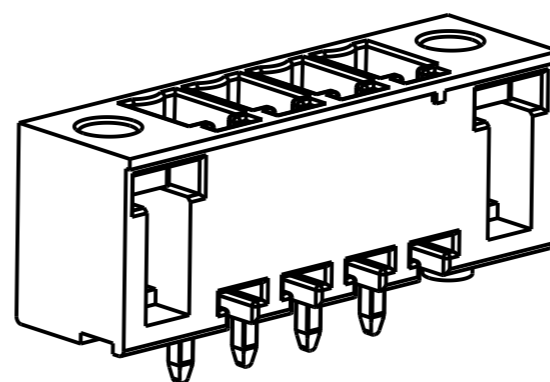
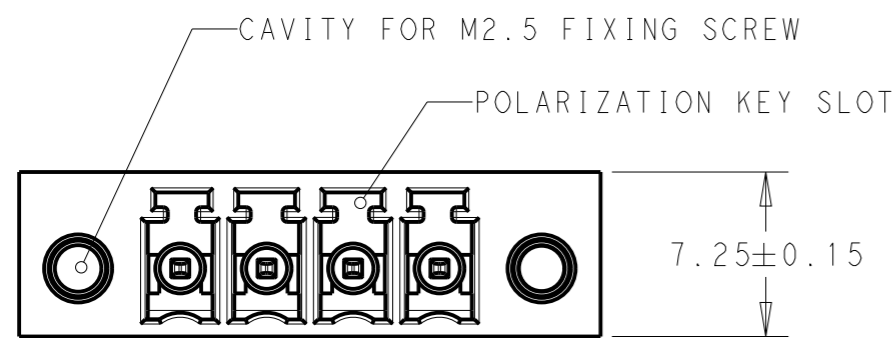
THIS DRAWING IS UNPUBLISHED. RELEASED FOR PUBLICATION 20
 © COPYRIGHT 20 BY - ALL RIGHTS RESERVED.

REVISIONS				
P	LTR	DESCRIPTION	DATE	APVD
A		RELEASED TO PRODUCTION (REV A)	20NOV2014	PS JK



NOTES:

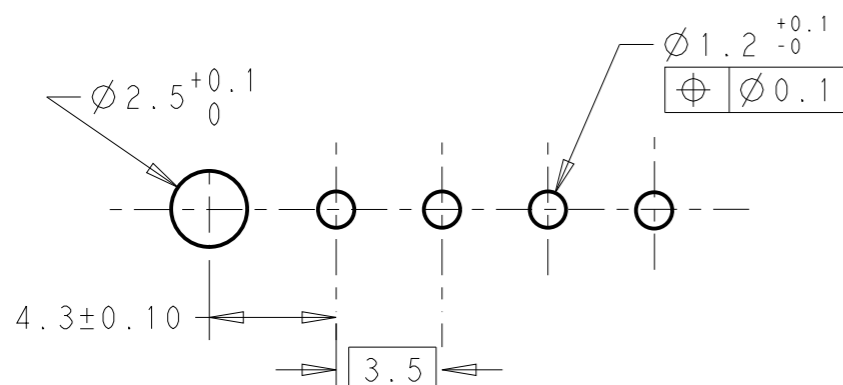
- 1 MATERIALS AND FINISH
 HOUSING : PA 6.6, UL 94-V0, COLOR GREEN
 TERMINAL : PHOSPHOR BRONZE, TIN PLATED
- 2 CONNECTOR ASSEMBLY INCLUDED 2 SQUARE NUTS LOADED IN CAVITY
- 3 SUITABLE FOR 1.6-2.4 mm. PC BOARD THICKNESS
- 4 NOT CUMULATIVE TOLERANCE
- 5 ELECTRICAL:
 VOLTAGE RATING 300V
 CURRENT RATING 13.5 A
- 6 MECHANICAL:
 INSERTION FORCE PER POLE: MAX 3N
 WITHDRAWAL FORCE PER POLE: MIN 1.5N
- 7 ENVIRONMENTAL: -40°C/+110°C [-40°F +230°F]




1986799-4 AS SHOWN

38.5	12	1-1986799-2
35.0	11	1-1986799-1
31.5	10	1-1986799-0
28.0	9	1986799-9
24.5	8	1986799-8
21.0	7	1986799-7
17.5	6	1986799-6
14.0	5	1986799-5
10.5	4	1986799-4
7.0	3	1986799-3
3.5	2	1986799-2
DIM A	NO OF POS	PART NUMBER

RECOMMENDED PC BOARD LAYOUT



THIS DRAWING IS A CONTROLLED DOCUMENT.		DWN 26SEP2013 KIRAN HOLAL	 TE Connectivity	
DIMENSIONS: mm		CHK 26SEP2013 MERCURIO, MAURIZIO		
TOLERANCES UNLESS OTHERWISE SPECIFIED:		APVD 26SEP2013 MERCURIO, MAURIZIO	NAME TERMINAL BLOCK, HEADER ASSEMBLY STRAIGHT, 3.5 MM PITCH WITH KEYING FEAT	
0 PLC ±-		PRODUCT SPEC 108-20166	SIZE CAGE CODE DRAWING NO RESTRICTED TO	
1 PLC ±0.3		APPLICATION SPEC 114-20079	A300779 C-1986799	
2 PLC ±0.25		WEIGHT -	SCALE 3:1 SHEET 1 OF 1 REV A	
3 PLC ±-		Customer Drawing		
4 PLC ±-				
ANGLES ±2°				
FINISH 1				