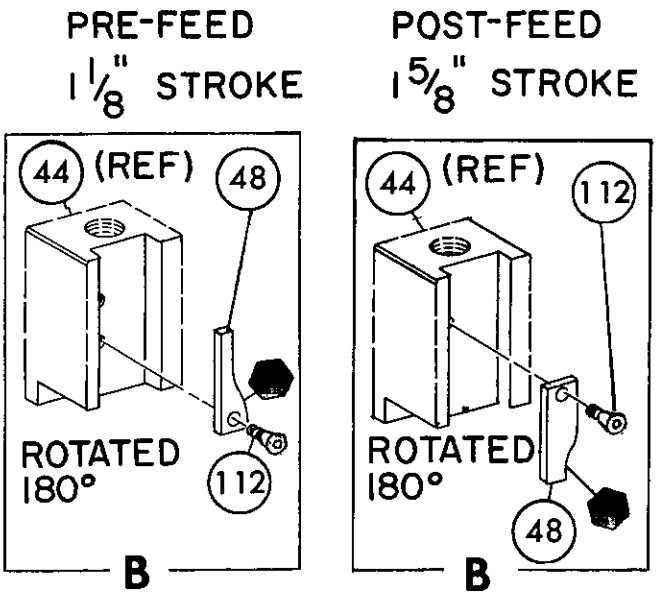
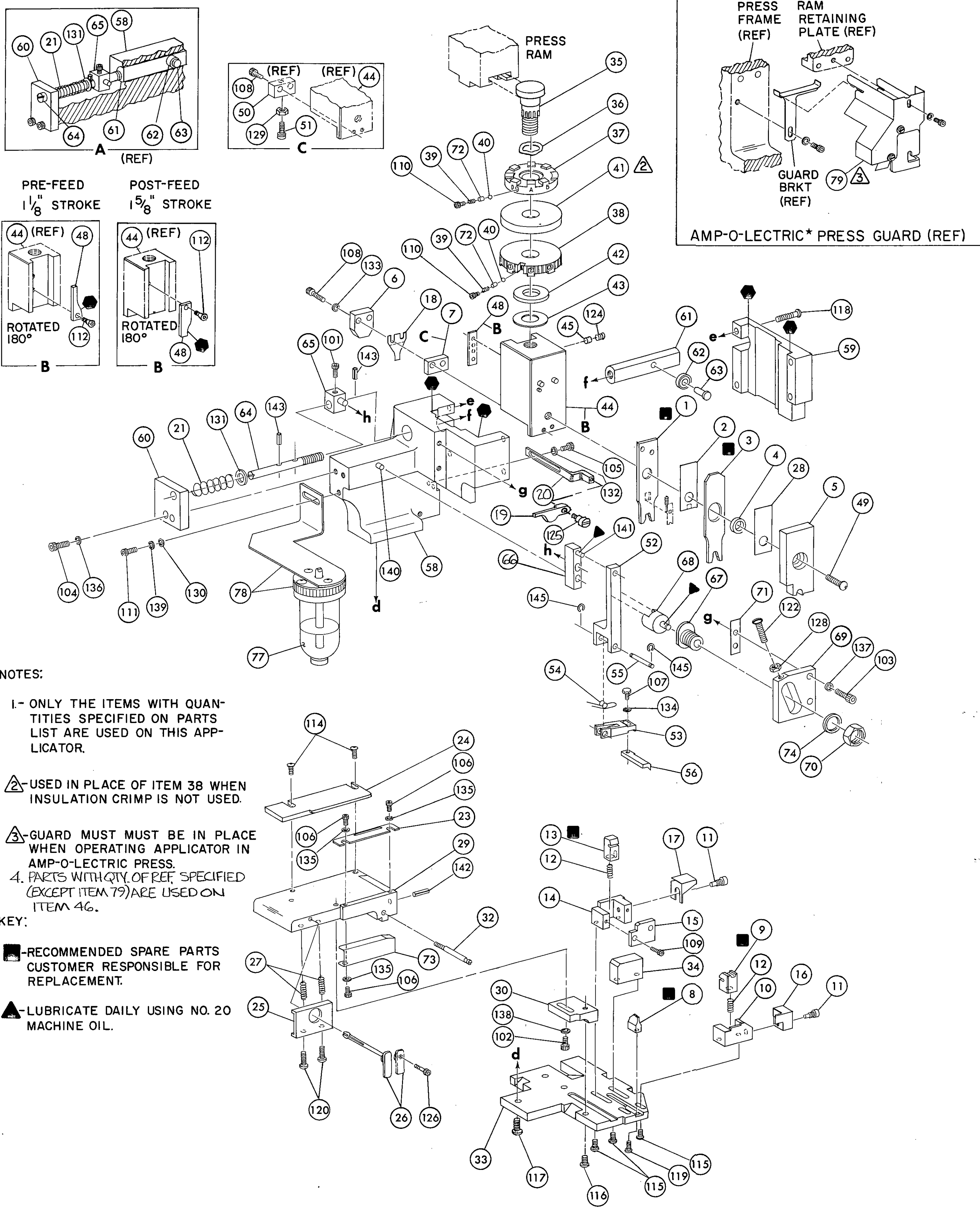
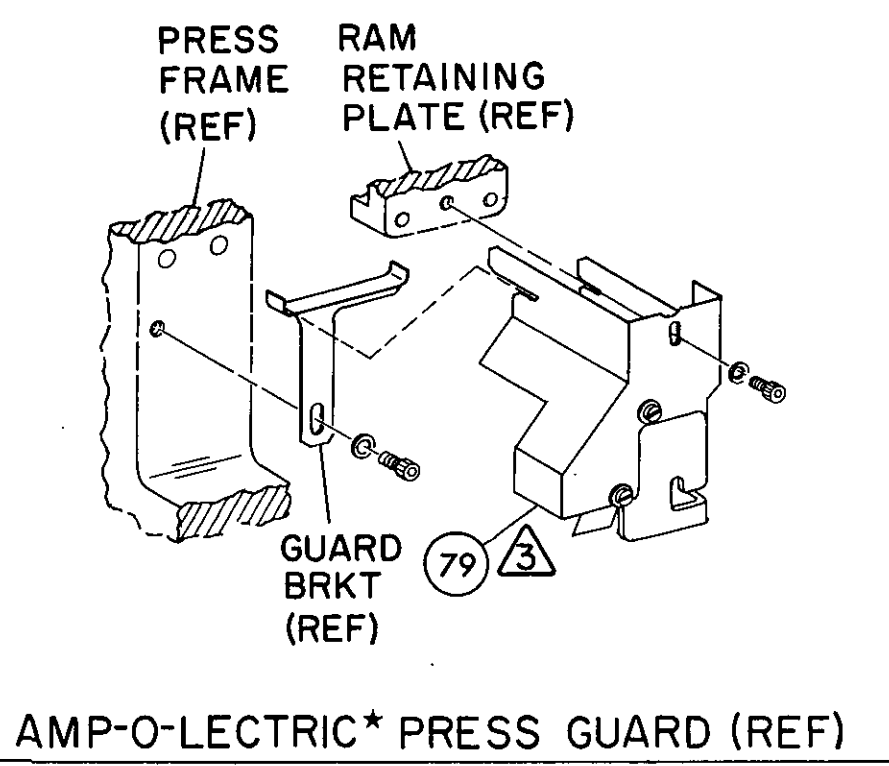


THIS DRAWING IS A CONTROLLED DOCUMENT FOR THE USE OF AMP INCORPORATED AND THE CONTROLLING ENGINEERING ORGANIZATION. IT SHOULD BE CONTACTED FOR THE LATEST REVISION.

THIS INFORMATION IS CONFIDENTIAL AND IS DISCLOSED TO YOU ON THE CONDITION THAT YOU WILL NOT REPRODUCE OR DISSEMINATE IT TO ANY OTHER PERSON OR ORGANIZATION WITHOUT THE WRITTEN AUTHORIZATION OF AMP INCORPORATED, HARRISBURG, PA.



- NOTES:**
- I- ONLY THE ITEMS WITH QUANTITIES SPECIFIED ON PARTS LIST ARE USED ON THIS APPLICATOR.
  - △- USED IN PLACE OF ITEM 38 WHEN INSULATION CRIMP IS NOT USED.
  - △- GUARD MUST BE IN PLACE WHEN OPERATING APPLICATOR IN AMP-O-LECTRIC PRESS.
  - 4. PARTS WITH QTY OF REF. SPECIFIED (EXCEPT ITEM 79) ARE USED ON ITEM 46.
- KEY:**
- - RECOMMENDED SPARE PARTS CUSTOMER RESPONSIBLE FOR REPLACEMENT.
  - ▲ - LUBRICATE DAILY USING NO. 20 MACHINE OIL.

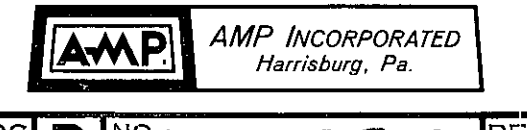


REF	PART NO	DESCRIPTION	QTY	PART NO	DESCRIPTION	ITEM NO
REF	21045-3	RING, RETAINING 'C' (.187 DIA) FEED FINGER PIN	145	REF	454220-1	CAP, HOUSING
			144	REF	454485-1	HOUSING
REF	5-21028-1	PIN, SLOT SPR (.125 DIA X .50) ADJ ROD	143			
1	4-21028-0	PIN, SLOT SPR (.093 DIA X .75) STR G PLATE	142	1	690542-2	PAWL, FEED
REF	1-21030-1	PIN, DOWEL (.187 DIA X .50) LEVER	141	REF	240624-1	PIN, FEED FINGER
REF	1-21030-6	PIN, DOWEL (.187 DIA X 1.25) HOUSING	140	REF	691499-1	SPRING, FEED FINGER
	21024-5	WASHER, LOCK (NO 10) LUB ASSY	139	REF	690541-1	FINGER, FEED
1	21024-5	WASHER, LOCK (NO 10) STRIP GUIDE ADJ BLOCK	138	REF	455679-1	LEVER, TERMINAL FEED ARM
REF	21024-5	WASHER, LOCK (NO 10) ADJ PLATE	137	1	811242-2	BUMPER, HOLDDOWN
REF	21024-5	WASHER, LOCK (NO 10) FEED GUIDE ROD	136	1	690753-1	SPACER, TONKER
3	21057-2	WASHER, LOCK (NO 4) FRONT STRIP GUIDE	135	1	7-21002-9	BOLT, CRIMPER
1	21024-4	WASHER, LOCK (NO 8) FEED FINGER	134	1	690602-6	CAM PRE-FEED 1/8 STROKE
2	21024-4	WASHER, LOCK (NO 8) DEPRESSOR	133			
1	21024-4	WASHER, LOCK (NO 8) STRIPPER	132	1	459456-1	APPLICATOR, BASIC (SUB ASSY)
REF	21899-4	WASHER, FLAT (5/16 DIA) SCREW ADJ	131	1	690191-1	PLUG, NYLON
	21899-2	WASHER, FLAT (NO 10) LUB ASSY	130	1	455673-1	RAM
1	21068-5	NUT, HEX MACH (6-32) HOLDDOWN	129	1	690125-1	WASHER, LAMINATED
REF	21068-5	NUT, HEX MACH (6-32) FEED ADJ	128	1	690124-1	WASHER, RAM
			127			DISC, SPACER
			126	2	23241-6	BALL, STEEL
1	456567-1	SCR, SHLD (.188 DIA X .125 LG) STRIPPER	125	2	690170-1	SPRING, COMPRESSION
1	21009-2	SCR, SKT SET (1/4-20 X .25) (LOC-WEL) RAM	124	1	690142-1	DISC, INSULATION
			123	1	9-692155-9	DISC, WIRE
REF	3-21064-2	SCR, RD HD MACH (6-32 X 1.50) FEED ADJ	122	1	22480-5	WASHER, SPRING
			121	1	690212-1	POST, RAM
2	2-21002-9	SCR, BUT HD SKT CAP (10-32 X .75) DRAG	120			SUPPORT, TERMINAL
1	22733-8	SCR, BUT HD SKT CAP (8-32 X .38) (LOC-WEL) ANVIL	119	REF	455675-1	PLATE, BASE
REF	2-21002-9	SCR, BUT HD SKT CAP (10-32 X .75) CAP	118	1	690432-3	SCREW, ADJUSTMENT
REF	1-24073-9	SCR, BUT HD SKT CAP (1/4-20 X .75) HOUSING	117			
REF	2-21002-7	SCR, BUT HD SKT CAP (10-32 X .50) SG ADJ BLOCK	116	REF	455689-1	BLOCK, STRIP GUIDE ADJ
2	2-21002-2	SCR, BUT HD SKT CAP (8-32 X .50) SHEAR	115	1	455671-1	PLATE, STRIP GUIDE
2	2-21002-2	SCR, BUT HD SKT CAP (8-32 X .50) R STRIP GUIDE	114	1	455888-0	SPACER, FRONT SHEAR DEPRESSOR
			113	2	1-22284-0	SPRING, DRAG
1	2-21003-0	SCR, FLAT HD SKT CAP (6-32 X .50) CAM	112	1	690546-1	LEVER, DRAG RELEASE
			111	1	240792-1	DRAG, STOCK
2	230300-1	SCR, SKT HD CAP (6-32 X .25) (LOC-WEL) CP DISC	110	1	690504-8	GUIDE STRIP (REAR)
			109	1	690438-1	GUIDE, STRIP (FRONT)
2	221000-7	SCR, SKT HD CAP (8-32 X .50) DEPRESSOR	108			
1	2-22603-0	SCR, HEX HD MACH (8-32 X .31) FEED FINGER	107	REF	4-22284-9	SPRING, FEED RETURN
3	1-21000-3	SCR, SKT HD CAP (4-40 X .25) F STRIP GUIDE	106	1	458950-1	ARM, STRIPPER
REF	1-21000-7	SCR, SKT HD CAP (8-32 X .50) STRIPPER	105	1	458949-1	STRIPPER
REF	3-21000-7	SCR, SKT HD CAP (10-32 X .75) FEED ROD GUIDE	104			HOLDER, TERMINAL
REF	3-21000-6	SCR, SKT HD CAP (10-32 X .62) FEED ADJ BLOCK	103			GUARD, CHIP (REAR)
1	3-21000-4	SCR, SKT HD CAP (10-32 X .38) SG ADJ BLOCK	102	1	691667-1	GUARD, CHIP (FRONT)
REF	3-21000-4	SCR, SKT HD CAP (10-32 X .38) PIVOT BLOCK	101			PLATE, SHEAR (REAR)
REF	455749-1	GUARD, WINDOW	79			HOLDER, SHEAR (REAR)
			78			SHEAR, FLOAT (REAR)
			77	1	5-22280-0	SPRING, SHEAR
			76	1	690461-1	STOP, SHEAR
			75	1	690459-1	HOLDER, SHEAR (FRONT)
REF	458109-1	WASHER, SPECIAL	74	1	454276-1	SHEAR, FLOAT (FRONT)
1	454877-3	PLATE, STRIP GUIDE COVER	73	1	690471-5	ANVIL
2	690603-1	SPRING, ASSIST	72			SPACER, DEPRESSOR (REAR)
REF	690517-1	SPACER	71			DEPRESSOR, SHEAR (REAR)
			70	1	455889-9	DEPRESSOR, SHEAR (FRONT)
			69	1	238011-6	SPACER, TUBULAR, INS CRIMPER
			68	1	4-456135-7	CRIMPER, INSULATION
			67	1	455888-5	SPACER, CRIMPER
			66	1	1-456404-6	CRIMPER, WIRE
			65			
			64			
			63			
			62			
			61			
			60			
REF	454178-1	GUIDE, FEED ROD	60			

REMARKS		NO	REV
APPL USED ON MACHINE PART NO		TO APPLY TERMINAL	
CUSTOMER NAME		DISTRIBUTION	
ADDRESS		ORIGINAL	
CITY		CUSTOMER COPY	
		FIELD ENG COPY	

CRIMPING DATA					APPLICATOR WILL APPLY	
PAD LTR	CRIMP HEIGHT	WIRE SIZE	WIRE STRIP LENGTH	FORGN	476A2	
A	NOT	USED		150526		
B	.035	20				
C	NOT	USED		770261		
D	.032	22				
CRIMP	SIZE	TYPE	FEED	APPL INST		
WIRE	.070	F				
INSUL	.100	O	.350	A1 8040		
WIRE RANGE 22-20			INSULATION RANGE .100 MAX.	PRESS NO 505435-5		
REMARKS AMP-O-LECTRIC PRE-FEED						

REVISION RECORD		REVISION RECORD		REVISION RECORD		REVISION RECORD	
P	F	L	T	P	F	L	T
APPL DATE		APPL DATE		APPL DATE		APPL DATE	



SET UP GAGE 10-1  
 458637-1  
 ECN A-393792  
 ECN A157388  
 REV PER EOU R4812  
 REV PER EOU R3809  
 NAME: MINIATURE QUICK CHANGE APPLICATOR SIDE FEED (AMP-IN)