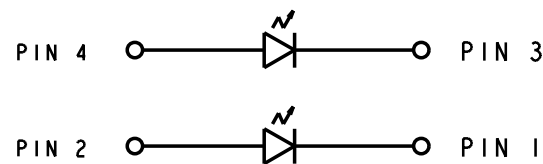
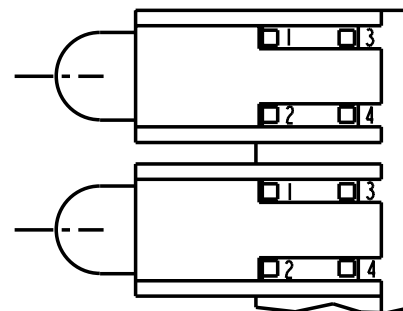
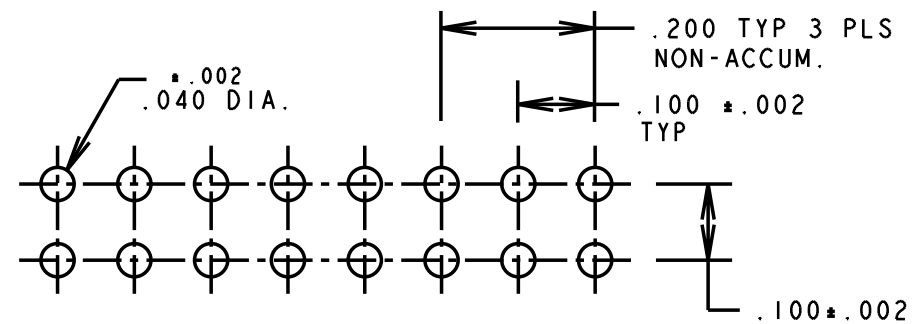
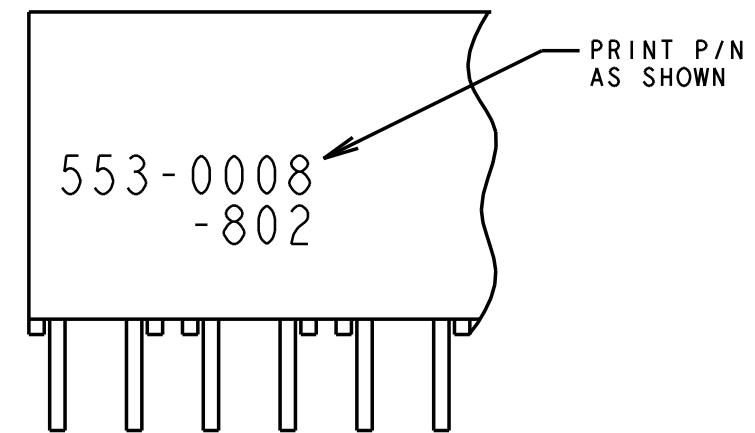
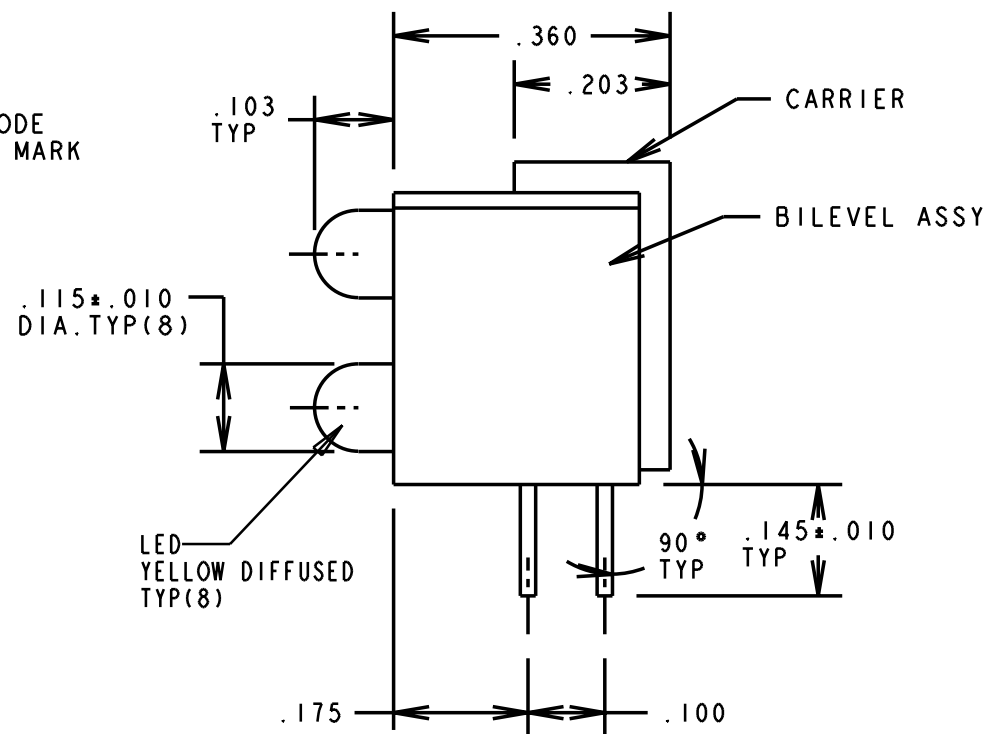
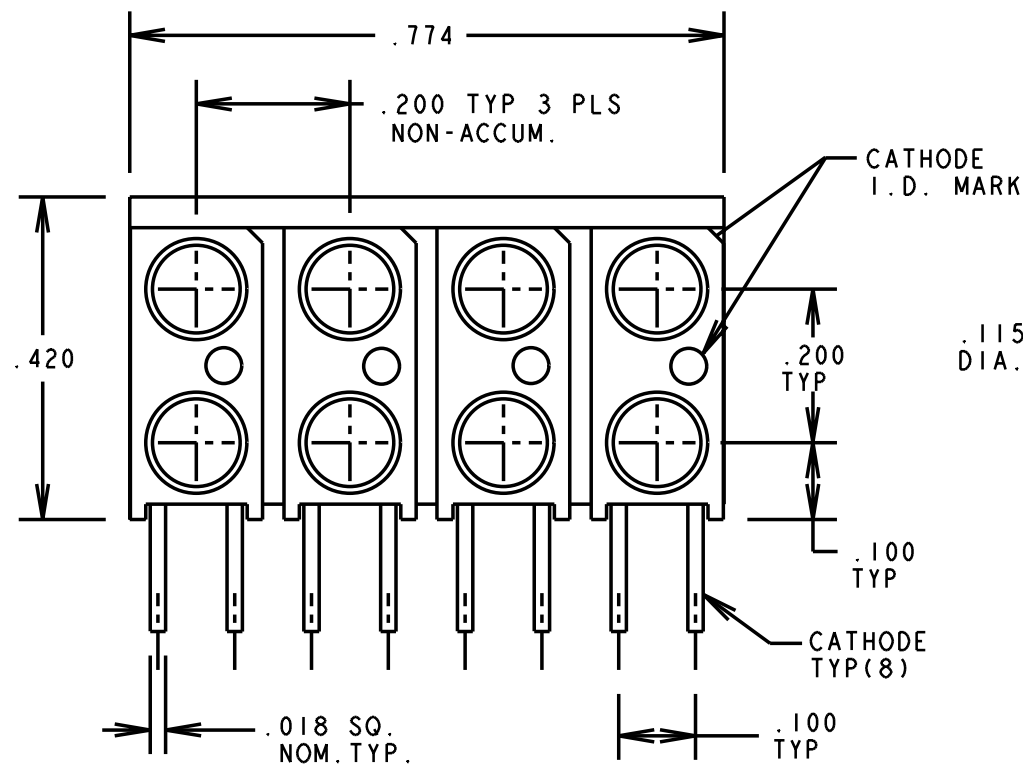


REV.	ECN NO.	REVISIONS	DRN.	CKD.	APP.	DATE
A	—	NEW RELEASE	DC		N.O.	7-1-94
B	—	ADDED P/N PRINTING DETAIL BELOW "DIALIGHT".	DC		N.O.	1-17-95
C	—	REVISED LED SPECS.; ADDED NOTE 3.	TC			



NOTES:

- LEADS TO FIT INTO .040 DIA. HOLES SPACED AS PER HOLE PATTERN.
- PIN NUMBERS FOR REFERENCE ONLY, DESIGNATION NON-EXISTANT ON PARTS.
- DIALIGHT PART NUMBER: 553-0008-802.

OPERATING CHARACTERISTICS AT  $T_A = 25^\circ\text{C}$

SYMBOL	PARAMETER	COLOR	MIN	TYP	MAX	UNITS	TEST COND.
$V_F$	FORWARD VOLTAGE	YELLOW		2.1	2.8	V	$I_f = 20 \text{ mA}$
$\lambda_{\text{PEAK}}$	PEAK WAVELENGTH	YELLOW		585		nm	
$I_v$	LUMINOUS INTENSITY	YELLOW	7.4	10.0		mcd	$I_f = 10 \text{ mA}$

THIS DRAWING AND THE CONTENTS HEREIN ARE CONFIDENTIAL AND THE SOLE PROPERTY OF DIALIGHT. REPRODUCTION OF THIS DRAWING OR CONSTRUCTION OF ANY PARTS WITHIN THIS DRAWING ARE FORBIDDEN WITHOUT THE WRITTEN CONSENT OF DIALIGHT.

SCALE 4:1	DRAWING NUMBER	REV
ALL DIM'S IN: INCHES	C-15894	C
TOLERANCES: UNLESS OTHERWISE SPECIFIED	TITLE	
FRACTIONS: $\pm 1/64$	MATERIAL	
DECIMALS (.XX): $\pm .020$	Dialight	
DECIMALS (.XXX): $\pm .015$	1913 ATLANTIC AVE. MANASQUAN, N.J. 08736	
ANGLES: $\pm 1^\circ$	SHEET OF FAMILY TABLE:	
FINISH:	FSCM 83330	