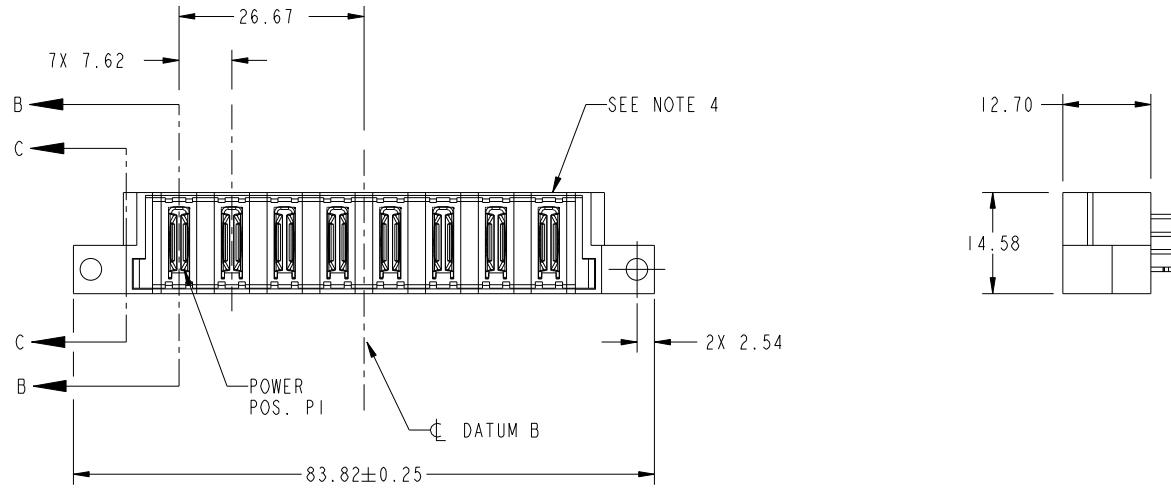


Tous droits strictement réservés. Reproduction ou communication a des tiers interdite sous quelque forme que ce soit sans autorisation écrite du propriétaire. Propriete de c FCI. Droits de reproduction FCI.

All rights strictly reserved. Reproduction or issue to third parties in any form whatever is not permitted without written authority from the proprietor. Property of FCI. Copyright FCI.



PRODUCT NO. 51963-067 NOTE ③	POWER								E2	
	E1	P1	P2	P3	P4	P5	P6	P7		P8
	HA	PA	PA	PA	PA	PA	PA	PA	PA	



CODE	DIM "M" MATING LENGTH	CONTACT TYPE
PA	[N/A]	POWER
HA	[N/A]	HOLD-DOWN

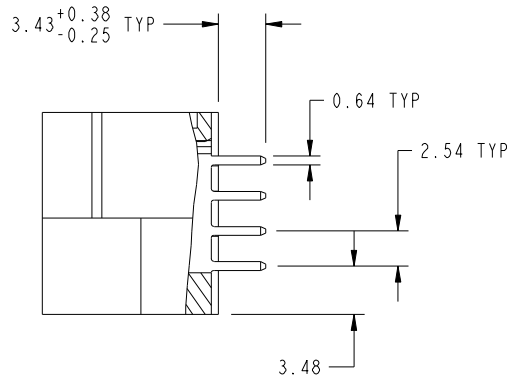
mat'l code				tolerances unless otherwise specified			CUSTOMER		FCI	
ltr	ecn no.	dr	date	linear	0.X ± 0.5		COPY		www.fciconnect.com	
A	DG10-0382	AL	11/08/10		0.XX ± 0.25		projection		title	
					0.XXX ± 0.1				8ACP VERTICAL STB HEADER	
				angles	0° ± 2°				product family PwrBlade code 213	
				dr	Anson Liu	11/08/10	scale		size	
				enr	Anson Liu	11/08/10	1:1		dwg no	
				chr	Anson Liu	11/08/10			51963-067	
				appd	Jerome Chen	11/08/10			sheet 1 of 4	
sheet index	revision sheet	A 1	A 2	A 3	A 4				cage code 22526	

Tous droits strictement reserves. Reproduction ou communication a des tiers interdite sous quelque forme que ce soit sans autorisation écrite du propriétaire. Propriete de c FCI. Droits de reproduction FCI.

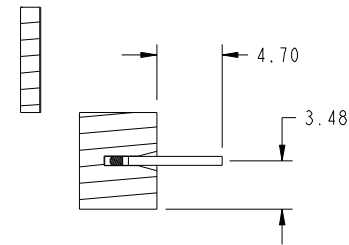


All rights strictly reserved. Reproduction or issue to third parties in any form whatever is not permitted without written authority from the proprietor. Property of FCI. Copyright FCI.

PRODUCT NUMBER
51963-067__
NOTE 3



SECTION B-B
SCALE 2:1



SECTION C-C
SCALE 2:1

mat'l code				tolerances unless otherwise specified			CUSTOMER		FCI		www.fciconnect.com	
ltr	ecn no.	dr	date	linear	0.X ± 0.5			COPY		projection	title	
A					0.XX ± 0.25			MIM			8ACP VERTICAL STB HEADER	
					angles	0.XXX ± 0.1			scale		product family PwrBlade code	
				0° ± 2°			1:1		size dwg no 213			
				dr	Anson Liu	11/08/10			A		51963-067 sheet 2 of 4	
				enr	Anson Liu	11/08/10						
				chr	Anson Liu	11/08/10						
				appd	Jerome Chen	11/08/10						
sheet index		revision sheet										

cage code 22526

Pro/E

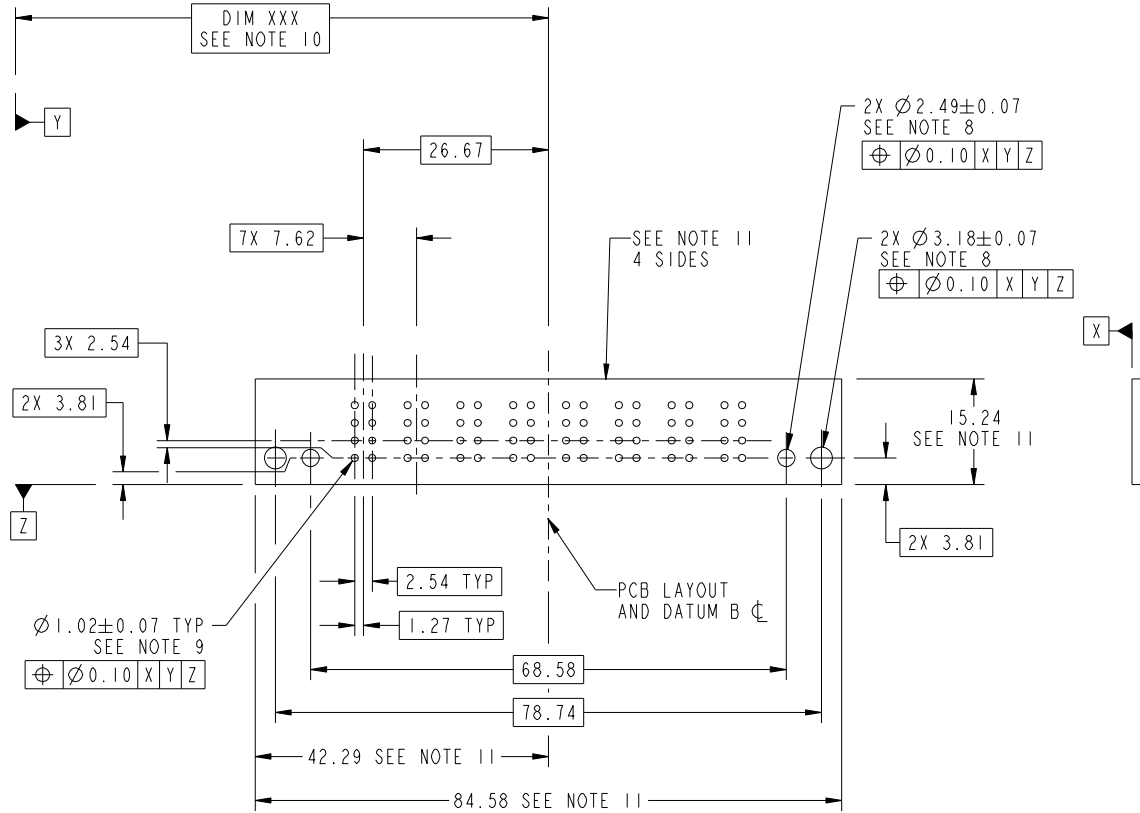
Tous droits strictement reserves. Reproduction ou communication a des tiers interdite sous quelque forme que ce soit sans autorisation écrite du propriétaire. Propriete de c FCI. Droits de reproduction FCI.



All rights strictly reserved. Reproduction or issue to third parties in any form whatever is not permitted without written authority from the proprietor. Property of FCI. Copyright FCI.

PRODUCT NUMBER
51963-067__
NOTE 3

1 | 2 | 3 | 4



RECOMMENDED PCB LAYOUT

mat'l code				tolerances unless otherwise specified			CUSTOMER		FCI	
ltr	ecn no.	dr	date	linear	0.X ± 0.5	COPY		www.fciconnect.com		
A					0.XX ± 0.25	projection		title		
				angles	0.XXX ± 0.1			8ACP VERTICAL STB HEADER		
				dr	Anson Liu 11/08/10			product family PwrBlade code		
				enr	Anson Liu 11/08/10	scale		size		
				chr	Anson Liu 11/08/10	1:1		dwg no		
				appd	Jerome Chen 11/08/10			51963-067		
sheet index		revision sheet						sheet		
								3 of 4		

cage code 22526

Pro/E

1 | 2

3 |

4

Tous droits strictement reserves. Reproduction ou communication a des tiers interdite sous quelque forme que ce soit sans autorisation écrite du propriétaire. Propriete de c FCI. Droits de reproduction FCI.



All rights strictly reserved. Reproduction or issue to third parties in any form whatever is not permitted without written authority from the proprietor. Property of FCI. Copyright FCI.

PRODUCT NUMBER
51963-067_
NOTE 3

NOTES:

1. DIMENSIONS AND TOLERANCES ARE IN ACCORDANCE WITH ASME Y14.5M, 1994 UNLESS OTHERWISE SPECIFIED.

CONNECTOR NOTES:

- 2 HOUSING MATERIAL: UL 94 V-0 GLASS FILLED HIGH-TEMP THERMOPLASTIC
POWER CONTACT MATERIAL: COPPER ALLOY
SIGNAL PIN MATERIAL: COPPER ALLOY
- 3. SEE ITEM 3 & 4 IN PRINT 10064183 FOR PLATING SPEC OF 51963-067 AND 51963-067LF RESPECTIVELY.
- 4 MANUFACTURER'S NAME, DATE CODE AND OPTIONAL P/N TO APPEAR ON THIS SURFACE. THE P/N CAN BE OMITTED IF THERE IS NOT ENOUGH SPACE ON THIS SURFACE.
- 5. PRODUCT SPECIFICATION GS-12-149.
APPLICATION SPECIFICATION BUS-20-067.
- 6. PACKAGED IN TRAYS.

PCB NOTES:

- 7. ALL HOLE DIAMETERS ARE FINISHED HOLE SIZE.
- 8. MOUNTING HOLES, WHERE APPLICABLE, ARE UNPLATED.
- 9 $\varnothing 1.151 \pm 0.025$ DRILLED HOLES PLATED WITH 0.008 MIN SnPb OR Sn OVER .001 [0.03] TO 0.08 Cu PLATING TO ACHIEVE $\varnothing 1.02 \pm 0.07$ HOLE.
- 10 "DIM XXX" TO BE DETERMINED BY THE CUSTOMER.
- 11 CONNECTOR KEEP-OUT ZONE.

mat'l code				tolerances unless otherwise specified			CUSTOMER		FCI		www.fciconnect.com	
ltr	ecr no.	dr	date	linear	0.X ± 0.5			COPY		projection	title	
A					0.XX ± 0.25			MIM			8ACP	
					0.XXX ± 0.1			←			VERTICAL STB HEADER	
				angles	0° ± 2°			MIM		product family		
				dr	Anson Liu	11/08/10	←		PwrBlade		code	
				enr	Anson Liu	11/08/10	←		size		213	
				chr	Anson Liu	11/08/10	←		dwg no		sheet	
				appd	Jerome Chen	11/08/10	←		A		4 of 4	
sheet index		revision sheet		scale		1:1		A		51963-067		

cage code 22526

Pro/E