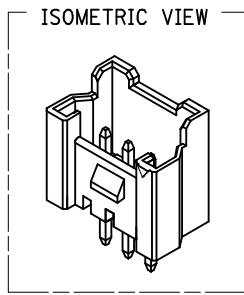
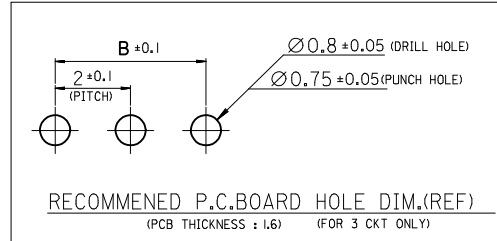
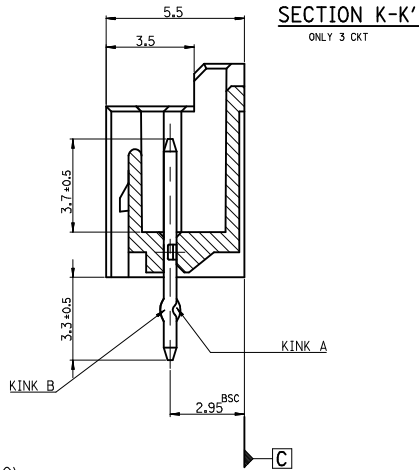
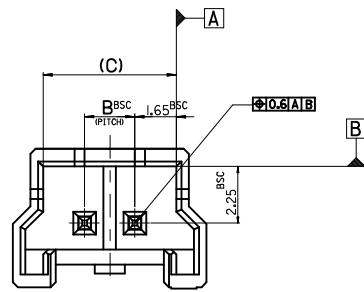


FOR 2 & 3 CKTS.



LEGEND

SD-35362-***
 CKT NO. _____ COLOR _____

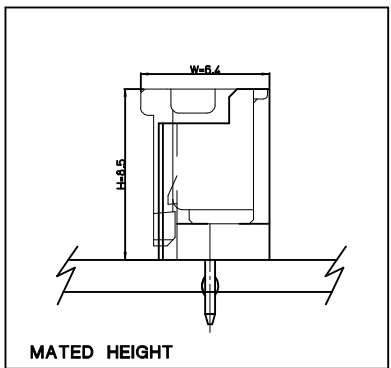
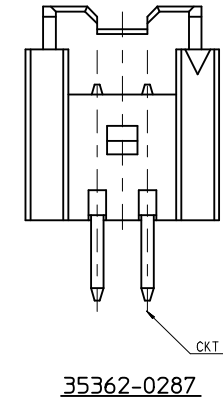
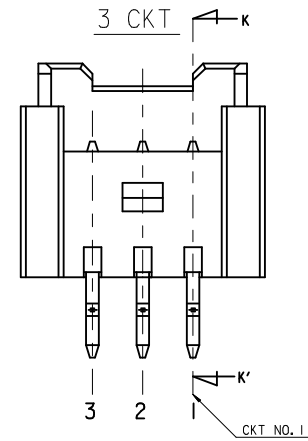
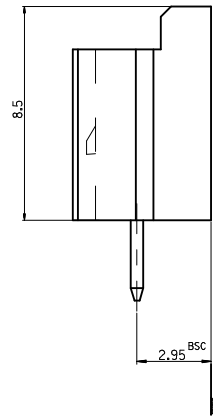
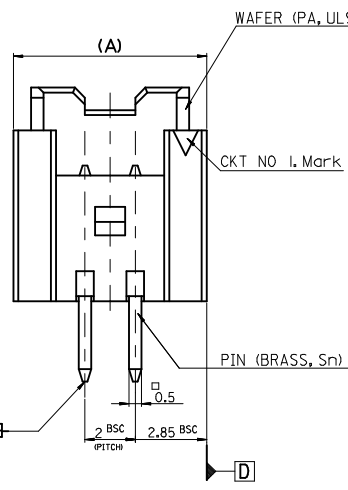
FINAL GOOD (BULK)	5 : SELECTIVE KINK (LEAD FREE)	6 : NONE KINK (LEAD FREE)
SUB ASSY (TUBE)	7 : SELECTIVE KINK (LEAD FREE)	

0 : NATURAL
1 : BLACK
2 : RED
3 : YELLOW
4 : BLUE
5 : GREEN
6 : TUBE PACKING (Natural Color)
7 : TUBE PACKING (Red Color)
8 : TUBE PACKING (Blue Color)

- NOTES**
- MATERIAL : UNFILLED POLYAMIDE, UL94V-0
PIN : BRASS
 - FINISHES : PIN : Tin(Sn) 1-3µm OVERALL
 - PRODUCT SPECIFICATION : PS-35507-003
 - MATING HOUSING : 35507-***0*
MATING TERMINAL : 50212-8000
 - KINK

CKT NO	1	2	3
2 CKT			
3 CKT	A	B	A

CKT NO	1	2
PRODUCT NO.		
35362-0287	A	B



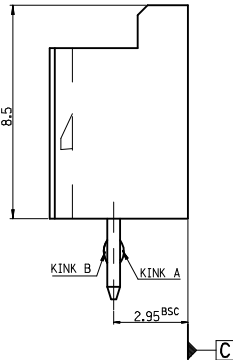
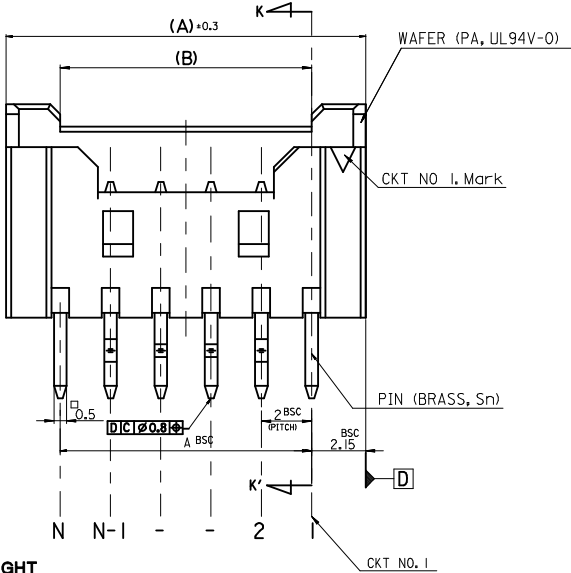
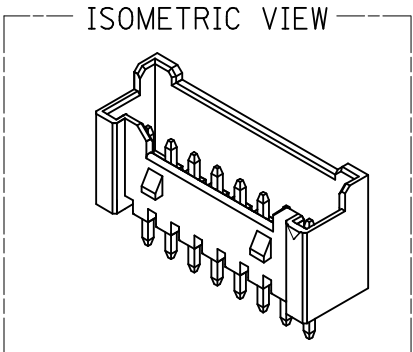
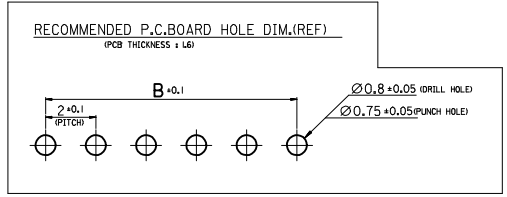
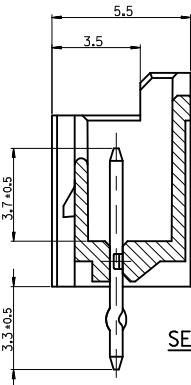
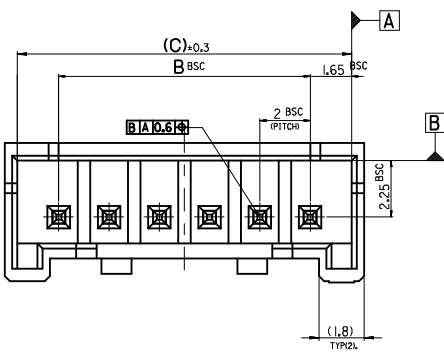
7.3	4	9.7	3536203**	35362-03**	3
5.3	2	7.7	3536202**	35362-02**	2
(C)	B	(A)	MATERIAL NO.	ENG. NO.	CKT

LEAD FREE	
30 over	±0.3
10 over 30 under	±0.25
10 under	±0.2
ANGLE	±3°
GENERAL TOLERANCE	

REVISED
 EC NO: KOR2015-0019
 T1 DRW: NKT1M01 2014/08/25
 CHY: KDKSKIM 2014/08/26
 APPR: YSKIM02 2014/09/03

QUALITY SYMBOLS ∇ F=0 ∇ F=0 ∇ F=0	GENERAL TOLERANCES (UNLESS SPECIFIED)		DIMENSION STYLE MM ONLY	
		mm	INCH	
	4 PLACES	±---	±---	DRAWN BY YSOOKIM
	3 PLACES	±---	±---	DATE 1996/09/11
	2 PLACES	±---	±---	CHECKED BY JKOH
	1 PLACE	±---	±---	DATE 1996/09/11
	0 PLACE	±	±	APPROVED BY _____
	ANGULAR ±---°		MATERIAL NO.	
DRAFT WHERE APPLICABLE MUST REMAIN WITHIN DIMENSIONS		SEE TABLE		DATE

SCALE 5:1	DESIGN UNITS METRIC	THIRD ANGLE PROJECTION
TITLE 2.0 W/B WAFER ASS'Y -LEAD FREE-		
molex		SHEET NO. 1 OF 1
DOCUMENT NO. SD-35362-002		



LEGEND

SD-35362-****

CTK NO. _____ COLOR _____

FINAL GOOD (BULK) 5 : SELECTIVE KINK (LEAD FREE)
6 : NONE KINK (LEAD FREE)

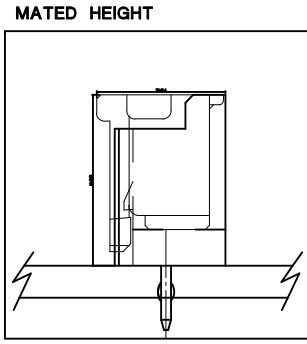
SUB ASSY (TUBE) 7 : SELECTIVE KINK (LEAD FREE)
8 : NONE KINK (LEAD FREE)

0 : NATURAL
1 : BLACK
2 : RED
3 : YELLOW
4 : BLUE
5 : GREEN
6 : TUBE PACKING (Natural Color)
7 : TUBE PACKING (Red Color)
8 : TUBE PACKING (Blue Color)

- NOTES**
- MATERIAL : WAFER : UNFILLED POLYAMIDE, UL94V-0
PIN : BRASS
 - FINISHES : PIN : Tin(Sn) 1-34m OVERALL
 - PRODUCT SPECIFICATION : PS-35507-003
 - MATING HOUSING : 35507-**0*
MATING TERMINAL : 50212-8000
 - KINK

CTK	CTK NO.		3	-	-	N-2	N-1	N
	1	2						
16±20	CTK	-	A	B	-	-	B	A

41.3	38	42.3	3536220**	35362-20**	20
39.3	36	40.3	3536219**	35362-19**	19
37.3	34	38.3	3536218**	35362-18**	18
35.3	32	36.3	3536217**	35362-17**	17
33.3	30	34.3	3536216**	35362-16**	16
(C)	B	(A)	MATERIAL NO.	ENG. NO.	CKT



LEAD FREE

30 over	±0.3
10 over 30 under	±0.25
10 under	±0.2
ANGLE	±3°
GENERAL TOLERANCE	

REVISED
EC NO: KOR2015-0019
TIDRWINK/IM01 2014/08/25
CHKD:KSK/IM 2014/08/26
APPR:YSK/IM02 2014/09/03

QUALITY SYMBOLS	GENERAL TOLERANCES (UNLESS SPECIFIED)	
	mm	INCH
▽ _A =0	4 PLACES ± ---	± ---
▽ _B =0	3 PLACES ± ---	± ---
▽ _C =0	2 PLACES ± ---	± ---
▽ _D =0	1 PLACE ± ---	± ---
	0 PLACE ±	±
	ANGULAR ± ---°	
	DRAFT WHERE APPLICABLE MUST REMAIN WITHIN DIMENSIONS	

DIMENSION STYLE		SCALE	DESIGN UNITS
MM ONLY		5:1	METRIC
DRAWN BY	DATE	TITLE	
YS00K/IM	1996/09/11	2.0 W/B WAFER ASS'Y -LEAD FREE-	
CHECKED BY	DATE		
JKOH	1996/09/11		
APPROVED BY	DATE		

molex

DOCUMENT NO. SD-35362-002 SHEET NO. 1 OF 1

THIS DRAWING CONTAINS INFORMATION THAT IS PROPRIETARY TO MOLEX INCORPORATED AND SHOULD NOT BE USED WITHOUT WRITTEN PERMISSION