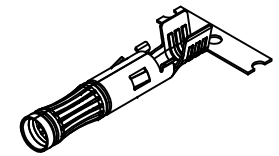
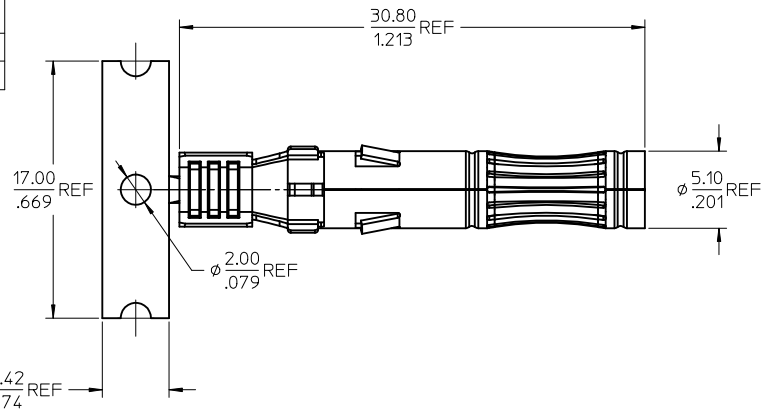
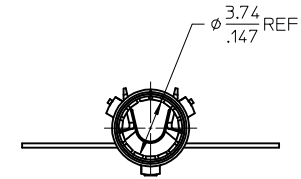
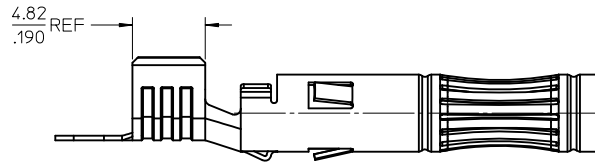
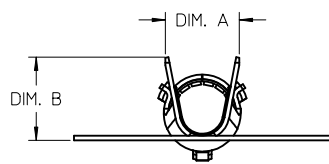


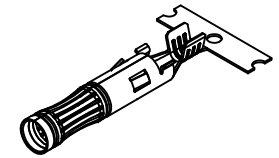
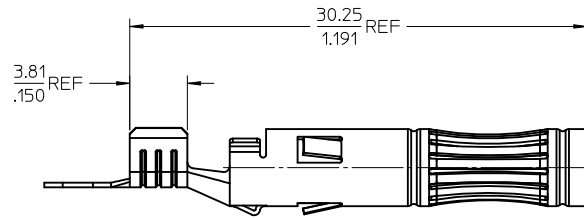
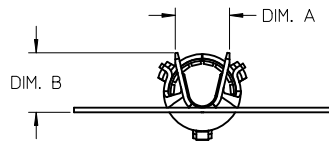
13	12	11	10	9	8
MATERIAL NO. ON STRIP	MATERIAL NO. LOOSE PIECE	CABLE SIZE	DIM. "A" REF	DIM. "B" REF	USE WITH HOUSING ASSY
1301970347	1301970336	2.5mm ² / 14AWG	3.58/.141	3.94/.155	1302440203
1301970346	1301970325	4.0-6.0mm ² / 12-10AWG	4.90/.193	5.51/.217	1302440201



12-10 AWG (4.0-6.0mm²)
SCALE 2:1

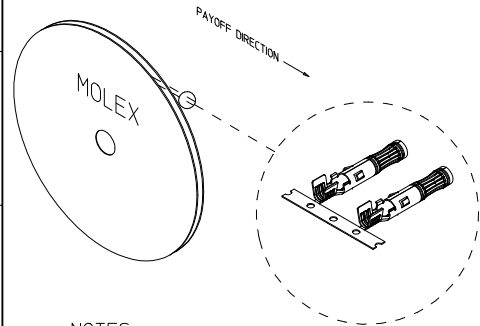


12-10 AWG (4.0-6.0mm²)



14 AWG (2.5mm²)
SCALE 2:1

14 AWG (2.5mm²)
SAME AS 12-10 AWG
EXCEPT AS NOTED



NOTES:

1. MATERIAL: COPPER ALLOY 0.30/.012 THK.
2. FINISH: 2.0μMETER/80μINCH MIN. SELECTIVE SILVER OVER 1.27μMETER/50μINCH MIN. NICKEL OVERALL
3. TERMINAL FOR USE WITH 130244 SERIES SOCKET HOUSING ASSEMBLY. SEE CHART FOR APPLICABLE PART NUMBERS.
4. STRIP TERMINALS ARE REELED AS SHOWN ABOVE ON ø580 (22.840 REELS 2,000/REEL WITH 3 REELS PER CARTON.
5. PRODUCT SPECIFICATION: PS-130244-001
6. SEE PK-130197-001 FOR LOOSE PIECE PACKAGING INFO.
7. SEE PK-130196-002 FOR STRIP PACKAGING INFO.
8. APPLICATION TOOLING AND CRIMP SPECIFICATIONS: CONSULT FACTORY.
9. PARTS ARE ROHS COMPLIANT.

DOC RELEASE EC NO: WNAZ011-04/15 DRWNR: RUPERT CHKD: APPR: DTITUS REV: A	2011/02/11	2012/04/18	QUALITY SYMBOLS ▽=0 ▽=0
	DESCRIPTION		

GENERAL TOLERANCES (UNLESS SPECIFIED)	
mm	INCH
4 PLACES ± .005	± .0005
3 PLACES ± .005	± .0005
2 PLACES ± .005	± .0005
1 PLACE ± .005	± .0005
ANGULAR ± 3°	
DRAFT WHERE APPLICABLE MUST REMAIN WITHIN DIMENSIONS	

DIMENSION STYLE	
MM/IN	
DRAWN BY	DATE
CLYORK	2010/04/15
CHECKED BY	DATE
DTITUS	2010/04/15
APPROVED BY	DATE
DTITUS	2010/05/07
MATERIAL NO.	
SEE CHART	
SIZE	
C	

SCALE	DESIGN UNITS	THIRD ANGLE PROJECTION
4:1	METRIC	☉
TITLE		
SOCKET CONTACT, PV SOLAR 14 & 12-10 AWG		
DOCUMENT NO.		SHEET NO.
MOLEX INCORPORATED SD-130197-001		1 OF 1
THIS DRAWING CONTAINS INFORMATION THAT IS PROPRIETARY TO MOLEX INCORPORATED AND SHOULD NOT BE USED WITHOUT WRITTEN PERMISSION		