

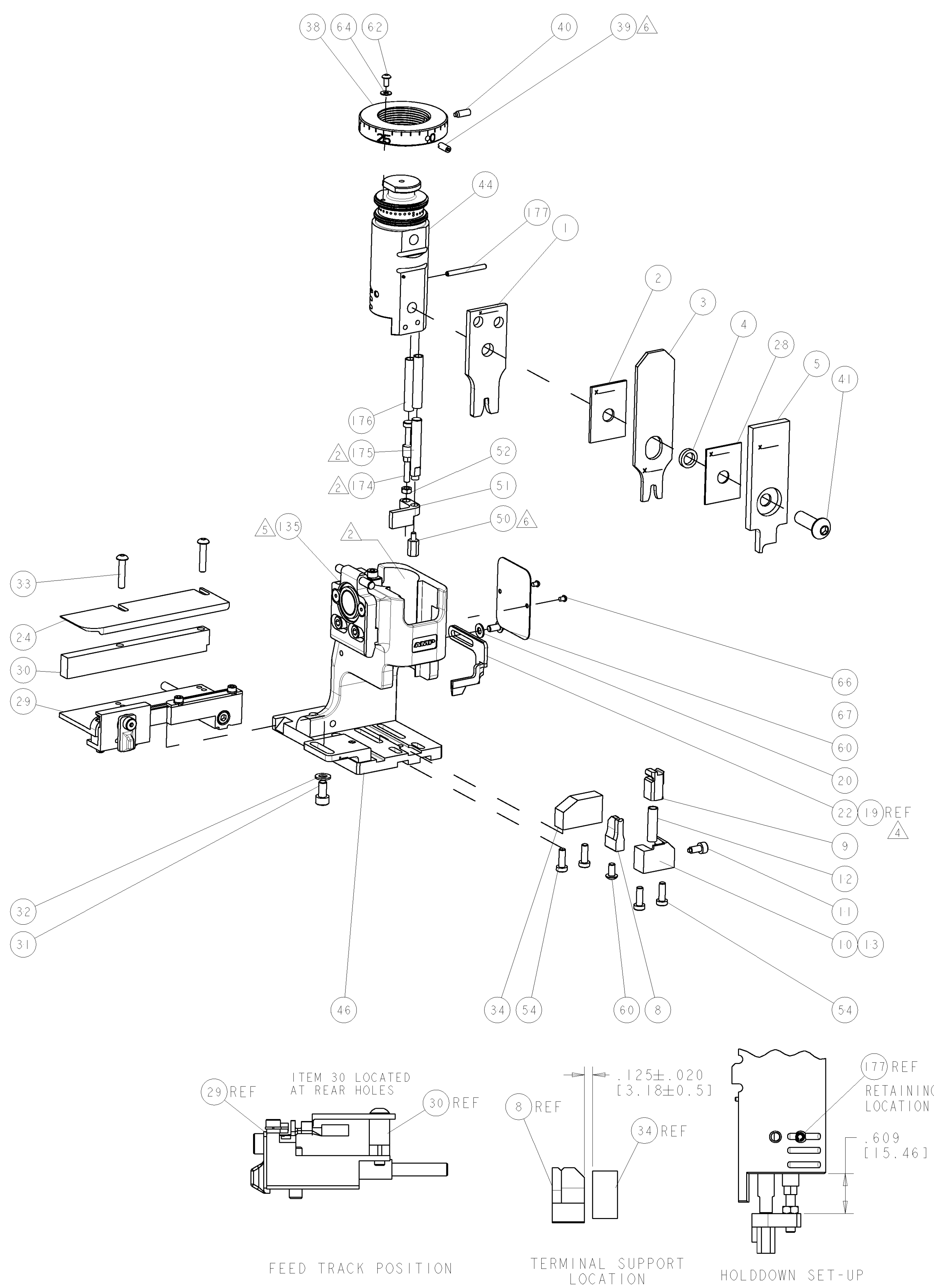
PART NUMBER	REV	DESCRIPTION	PROGRAMMED MEMORY CHIP
1911098-1	A	CUTS CARRIER	8-1911098-1
1911098-6	A	CONTINUOUS CARRIER	8-1911098-6
7-1911098-1	A	-1 AND SPARE PARTS	9-1911098-1
7-1911098-6	A	-6 AND SPARE PARTS	9-1911098-6
7-1911098-7	A	SPARE PARTS KIT	-

APPLICATOR DATA		
CRIMP	SIZE	TYPE
WIRE	.120 [3.05mm]	F
INSUL	.160 [4.06mm]	OV
APPL INSTRUCTIONS 408-10135		

TERMINAL DATA: TE TERMINAL		TYCO ELECTRONICS CRIMP SPEC
TERMINAL NAME: AMP MCP2.8 FLAT TYPE RECEPTACLE		
WIRE STRIP LENGTH	INSULATION DIAMETER RANGE	
5.3-5.9 mm [.208-.232 IN]	2.70-3.70mm [.106-.145 IN]	
TERMINAL APPL SPEC	114-18148	-
TERMINALS APPLIED		
1-968853-1	1-968853-3	-

WIRE SIZE	CRIMP HEIGHT
mm [INCH]	mm [INCH]
4mm ²	2.27±.05 [.089±.002]

FEED FINGER	SET UP GAGE	LOC	DIST	REVISIONS					
1901694-1	1901040-1	A	66	P	LTR	DESCRIPTION	DATE	DWN	APVD
				A		RELEASED	24JUL2007	DWN	GB
				A1		ADDED 2 BOTTOM VIEWS	25SEP2007	DWN	WED



- △ RECOMMENDED SPARE PARTS.
- △ GREASE BEARING SURFACES LIGHTLY.
- 3. LUBRICATE DAILY PER THE APPLICATOR INSTRUCTION SHEET SUPPLIED WITH THE APPLICATOR.
- △ ITEM 19 - OPTIONAL STRIPPER FOR BENCH MACHINE APPLICATIONS.
- △ APPLICATOR SPECIFIC DATA TO BE ENTERED INTO BLANK MEMORY CHIP AT ASSEMBLY.
- △ APPLY P/N 1-23419-5 LOCTITE(R) TO THREADS.

QTY	REV	DESCRIPTION	ITEM NO				
-	1	1-993111-6	PIN, SLOTTED SPRING 3.0 X 30.0	177			
-	2	3-22280-7	SPRING, COMPRESSION	176			
-	1	1752353-1	GUIDE PIN, HOLDDOWN	175			
-	1	1901680-1	GUIDE PIN, HOLDDOWN	174			
-	REF	REF	SEE TABLE	MEMORY CHIP, PROGRAMMED	135		
-	1	1633565-1	DOCUMENTATION PACKAGE	71			
-	1	1901048-1	TAG, IDENTIFICATION	67			
-	2	21017-1	SCREW, DRIVE	66			
-	1	18028-1	WASHER, FLAT, REG M3	64			
-	1	1655785-9	SCR, BTN SKT HD CAP (M3 X 6)	62			
-	2	1655785-1	SCR, BTN SKT HD CAP (M4 X 8)	60			
-	4	1655783-3	SCR, CAP, SOC HD, LOW HEAD, M4 X 12	54			
-	1	1-18030-0	NUT, HEX, REG M3.5	52			
-	1	1901681-1	HOLDDOWN, TERMINAL	51			
-	1	2-1752354-5	STANDOFF, HOLD-DOWN	50			
-	1	1752300-1	SF SYSTEM III APPLICATOR	46			
-	1	1752308-1	RAM	44			
-	1	2-1655785-3	SCR, BTN SKT HD CAP (M8 X 25)	41			
-	1	993002-4	SCREW, SET, SFT TIP	40			
-	1	1962043-1	PLUNGER, BALL, METRIC	39			
-	1	1752309-3	RING, INSULATION CRIMP	38			
-	1	1-1752356-7	SUPPORT, TERMINAL	34			
-	2	3-1655785-3	SCR, BTN SKT HD CAP (M4 X 20)	33			
-	1	18028-3	WASHER, FLAT, REG M5	32			
-	1	5-1655316-3	SCR, SKT HD CAP, M5 X 10.0	31			
-	1	1320908-3	SPACER, STRIP GUIDE	30			
-	1	1901087-3	ASSEMBLY, STRIP GUIDE	29			
-	1	455888-8	SPACER, CRIMPER	28			
-	1	1320928-1	PLATE, STRIP GUIDE	24			
-	1	1976045-1	STRIPPER	22			
-	1	18028-2	WASHER, FLAT, REG M4	20			
-	REF	REF	1752311-1	STRIPPER	19		
-	1	1338684-1	SHEAR HOLDER, FRONT	13			
-	1	3-22280-3	SPRING, COMPRESSION	12			
-	1	356885-4	STOP, SHEAR	11			
-	1	1320921-1	SHEAR HOLDER, FRONT, CUT	10			
-	1	454276-1	FLOATING SHEAR, FRONT	9			
-	1	1333208-7	ANVIL, COMBINATION	8			
-	1	3-455889-6	DEPRESSOR, SHEAR	5			
-	1	238011-4	BLOCK, CRIMPER SPACER	4			
-	1	4-655621-7	OVERLAPPING CRIMPER, INSUL HD TYP	3			
-	1	1-455888-5	SPACER, CRIMPER	2			
-	1	456409-3	CRIMPER, WIRE .120 "F" PREMIUM	1			
-77	-76	-71	-6	-1	PART NO	DESCRIPTION	ITEM NO

DIMENSIONS:		TOLERANCES UNLESS OTHERWISE SPECIFIED:		DWG		Tyco Electronics	
INCHES[mm]	PLC	FINISH	OTHERWISE SPECIFIED:	NO	DATE	NAME	Address
	0 PLC	±		WRIGHT	26 JUN 2007	N. DEMING	Tyco Electronics Harrisburg, PA 17105-3608
	1 PLC	±		N. DEMING	26 JUN 2007	N. DEMING	
	2 PLC	±					
	3 PLC	±					
	4 PLC	±					
	5 PLC	±					
	6 PLC	±					
	7 PLC	±					
	8 PLC	±					
	9 PLC	±					
	10 PLC	±					
	11 PLC	±					
	12 PLC	±					
	13 PLC	±					
	14 PLC	±					
	15 PLC	±					
	16 PLC	±					
	17 PLC	±					
	18 PLC	±					
	19 PLC	±					
	20 PLC	±					
	21 PLC	±					
	22 PLC	±					
	23 PLC	±					
	24 PLC	±					
	25 PLC	±					
	26 PLC	±					
	27 PLC	±					
	28 PLC	±					
	29 PLC	±					
	30 PLC	±					
	31 PLC	±					
	32 PLC	±					
	33 PLC	±					
	34 PLC	±					
	35 PLC	±					
	36 PLC	±					
	37 PLC	±					
	38 PLC	±					
	39 PLC	±					
	40 PLC	±					
	41 PLC	±					
	42 PLC	±					
	43 PLC	±					
	44 PLC	±					
	45 PLC	±					
	46 PLC	±					
	47 PLC	±					
	48 PLC	±					
	49 PLC	±					
	50 PLC	±					
	51 PLC	±					
	52 PLC	±					
	53 PLC	±					
	54 PLC	±					
	55 PLC	±					
	56 PLC	±					
	57 PLC	±					
	58 PLC	±					
	59 PLC	±					
	60 PLC	±					
	61 PLC	±					
	62 PLC	±					
	63 PLC	±					
	64 PLC	±					
	65 PLC	±					
	66 PLC	±					
	67 PLC	±					
	68 PLC	±					
	69 PLC	±					
	70 PLC	±					
	71 PLC	±					
	72 PLC	±					
	73 PLC	±					
	74 PLC	±					
	75 PLC	±					
	76 PLC	±					
	77 PLC	±					