

REFERENCE SPECIFICATIONS

-NFC 93425 (in compliance with HE 507)

PHYSICAL CHARACTERISTICS

- INSULATOR MATERIAL: THERMOPLASTIC ,UL94V0
- CONTACT MATERIAL: BRASS
- ACCESSORIES: BRASS
- SHELLS: STEEL

ELECTRICAL CHARACTERISTICS

- NOMINAL CURRENT: 40A
- CONTACT RESISTANCE: <= 7.3 mOhms
- CONTACT/CONTACT : >=1000 V
- CONTACT/GROUND : >=1200 V
- INSULATION RESISTANCE: >=5000 MOhms

- CLIMATIC CATEGORY: 55/125/21  
TEMPERATURE RANGE -55°C TO +125°C  
DAMP HEAT STEADY STATE 21 DAYS  
SALT SPRAY 24 HOURS

- RETENTION AGAINST TORQUE: - Threaded insert: 0.7 N.m minimum  
- Female screw : 0.5 N.m minimum

PRESS FIT PERFORMANCES

PRESS FIT CONTACTS	
INSERTION FORCE	<= 200 N Average insertion 160N
EXTRACTION FORCE	>= 30 N

NOTE RoHS INFORMATION

- The "LF" products meet european union Directives and other country regulations as described in GS-22-008.
- Termination plating spec:
  - Ni 1.27µm+Sn 0.5 to 1.5µ(pure bright)
- Active area plating spec:
  - Ni + Gold
- Shell plating :2 to 4µm Cu + Ni + 3 to 10µm Sn(pure bright)
- Accessories: Sn pure bright + nickel
- Packaging spec: See GS-14-920

# DBL5W5P80C5M40LF

Series

Shell size: **E A B C**  
(see sheet 3)

Front accessory definition  
(see sheet 2)

- blank :without accessory
- L** :threaded insert M3
- O** :threaded insert UNC 4-40
- V** :female screw UNC 4-40

Layout of contacts (see sheet 3)

Contacts

**P** :Pin

Termination type

**80C** Right angle/US foot print

Plating

- 5** 200 matings/unmatings
- 6** 500 matings/unmatings

PCB accessories definition(see sheet 2)

- M** Metal brackets
- A** Without accessory

Power contacts

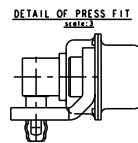
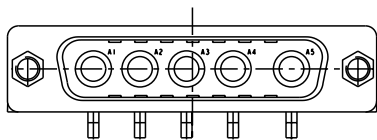
**40** :Fitted with power contacts 40 Amp.

See note RoHS

TABLE 1:PCB HOLE DIAMETERS

P.C.B HOLE DEFINITION	DRILL DIAMETER	SnPb holes for CONTACTS	Sn holes for CONTACTS	holes ACCESSORIES
		Ø3.22 REF(NOTE 3)	Ø3.22 REF(NOTE 3)	Ø3.10±0.10
(NOTE 1 AND 2)	DRILLED HOLE	Ø3.19-3.25	Ø3.19-3.25	
	COPPER PLATING	25µ MINI (RECOMMENDED 50µ MAXI)	25µ MINI (RECOMMENDED 50µ MAXI)	
	TIN-LEAD PLATING	15µ MAXI (RECOMMENDED 5µ MINI)		
	TIN PLATING		0.8 to 1,2µ	
	FINISH HOLE (AFTER REFLOW)	Ø 3.02-3.20	Ø3.08-3.20	

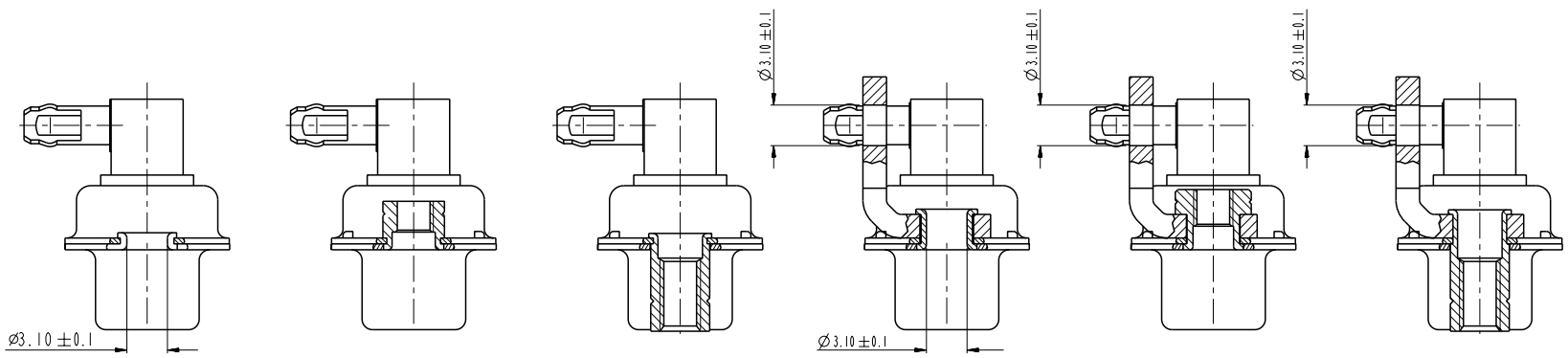
- NOTE-1:THESE DIMENSIONS MUST BE RESPECT TO SECURE PRESS-FIT PIN PERFORMANCES.
- NOTE-2: ACCORDING TO IEC-352-5 SPEC.
- NOTE-3: MAJOR REQUIREMENT FOR PRESS FIT PIN PERFORMANCE



5W5 FOR EXAMPLE

www.fciconnect.com		surface	tolerance std	projection	mm
		ISO 1302	ISO 406 ISO 1101	⊕	
		TOLERANCES UNLESS OTHERWISE SPECIFIED			
Dr	M PESSON	11/10/05	ANGULAR	LINEAR	size A2 Scale 2:1
Eng	11/10/05	P LEGARE	0.XX	±0.3	
Chr			0.xxx	±0.1	ECN LS07-0273
Appr			0.xxx	±0.05	Spec ref
		Product family			
FCI		SUB MALE DW US foot print		deg no	C01-8639-2320
		full power right angled solder			Rev. C
		catalog no		Y	sheet 1 of 5

rev	ccn no	dr	date
B	LS06-0208	LGO	2006/12/13
C	LS07-0273	LGO	2007/11/05
-	-	-	-
-	-	-	-
-	-	-	-
-	-	-	-



FRONT ACCESSORY	<b>Blank</b> Without	<b>L</b> insert M3 <b>O</b> insert UNC 4.40	<b>V</b> insert UNC 4.40	<b>Blank</b> Without	<b>L</b> insert M3 <b>O</b> insert UNC 4.40	<b>V</b> insert UNC 4.40
PCB ACCESSORIES	<b>A</b> Without	<b>A</b> Without	<b>A</b> Without	<b>M</b> Metal brackets	<b>M</b> Metal brackets	<b>M</b> Metal bracket

Copyright FCI.

www.fciconnect.com		surface ISO 1302	tolerance std ISO 406 ISO 1101	projection mm
		TOLERANCES UNLESS OTHERWISE SPECIFIED		
Dr M PESSON	11/10/05	ANGULAR	0.X ±0.3	size A2
Eng 11/10/05	P LEGARE	LINEAR	0.XX ±0.1	Scale 2:1
Chr		0° ±2°	0.XXX ±0.05	ECN LS07-0273
Appr		Product family		Spec ref
FCI		SUB MALE DW US foot print full power right angled solder		Rev. C
catalog no		- Y		sheet 2 of 5

SCALE: 4

PART NUMBER	AMPS	MATINGS/ UNMATINGS	FRONT ACCESSORY	PCB ACCESSORIES
D*xWxP80C5A40LF	40	200	without	without
D*LxWxP80C5A40LF	40	200	insert M3	without
D*OxWxP80C5A40LF	40	200	insert UNC 4.40	without
D*VxWxP80C5A40LF	40	200	female screw UNC 4.40	without
D*xWxP80C5M40LF	40	200	without	metal bracket
D*LxWxP80C5M40LF	40	200	insert M3	metal bracket
D*OxWxP80C5M40LF	40	200	insert UNC 4.40	metal bracket
D*VxWxP80C5M40LF	40	200	female screw UNC 4.40	metal bracket

shell size # LAYOUTS  
xWx

E 2V2  
A 3V3  
A 3W3  
B 5W5  
C 8W8

PART NUMBER	AMPS	MATINGS/ UNMATINGS	FRONT ACCESSORY	PCB ACCESSORIES
D*xWxP80C6A40LF	40	500	without	without
D*LxWxP80C6A40LF	40	500	insert M3	without
D*OxWxP80C6A40LF	40	500	insert UNC 4.40	without
D*VxWxP80C6A40LF	40	500	female screw UNC 4.40	without
D*xWxP80C6M40LF	40	500	without	metal bracket
D*LxWxP80C6M40LF	40	500	insert M3	metal bracket
D*OxWxP80C6M40LF	40	500	insert UNC 4.40	metal bracket
D*VxWxP80C6M40LF	40	500	female screw UNC 4.40	metal bracket

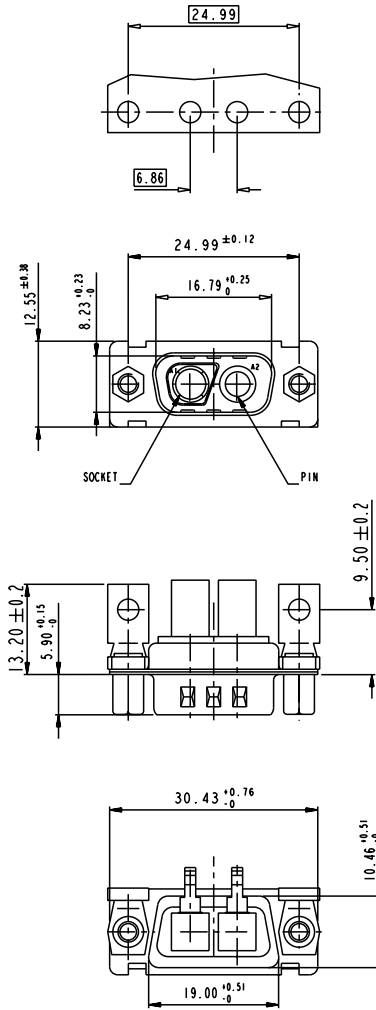


Copyright FCJ.

www.fciconnect.com		surface ISO 1302	-	tolerance std AS 406 ISO 1101	projection mm	mm	
		TOLERANCES UNLESS OTHERWISE SPECIFIED					
Dr	M PESSON	11/10/05	ANGULAR	0.X	±0.3	size	A2
Eng	11/10/05	P LEGARE	LINEAR	0.XX	±0.1	Scale	2:1
Chr			0° ±2°	0.XXX	±0.05	ECN	LS07-0273
Appr			Product family			Spec ref	
FCJ		SUB MALE DW US foot print		deg no		C01-8639-2320	
		full power right angled solder				Rev. C	
		catalog no		Y		sheet 3 of 5	

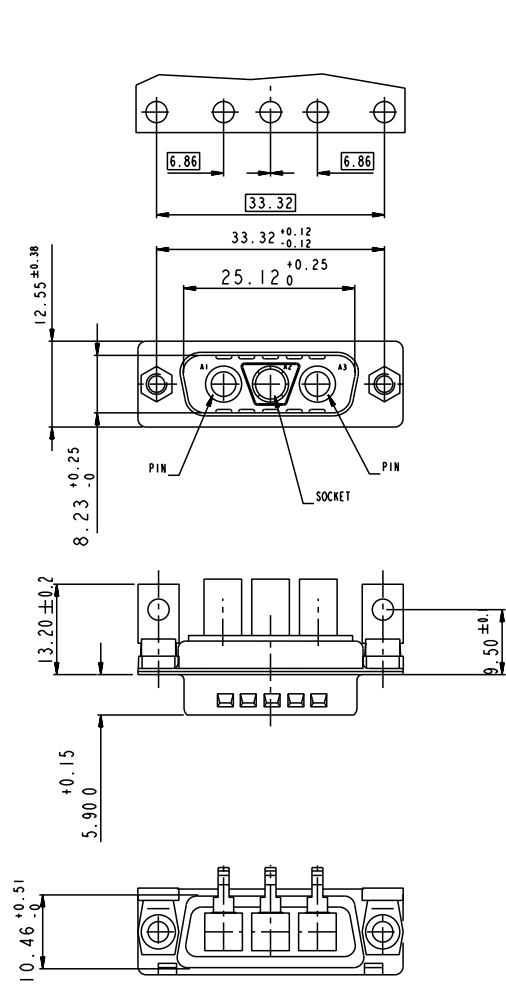
2V2

LAYOUT AND CONNECTOR DIMENSIONS  
For PCB hole diameters see table I sheet I



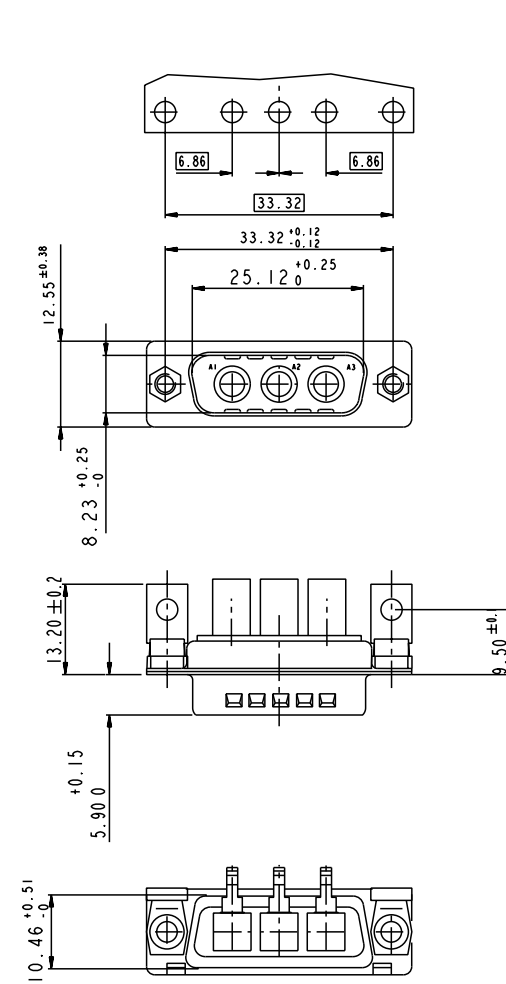
3V3

LAYOUT AND CONNECTOR DIMENSIONS  
For PCB hole diameters see table I sheet I

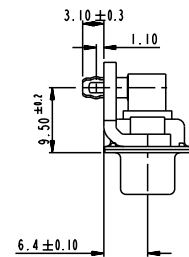


3W3

LAYOUT AND CONNECTOR DIMENSIONS  
For PCB hole diameters see table I sheet I



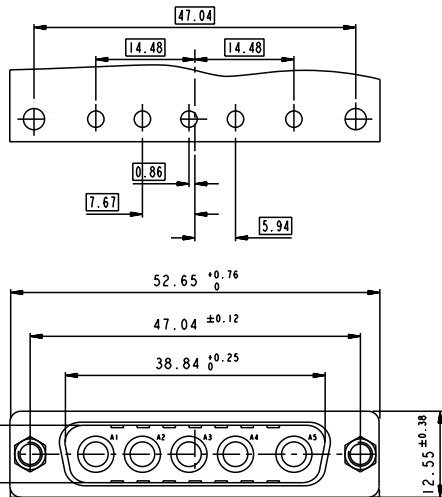
SIDE VIEW FOR ALL LAYOUTS



Copyright FCI.

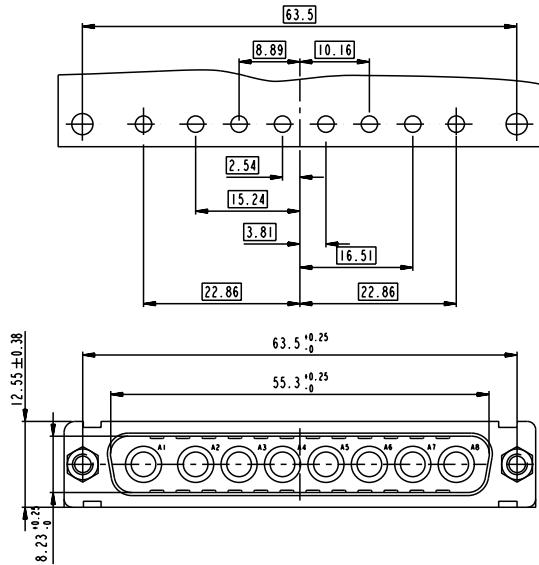
www.fciconnect.com		surface	ISO 1302	tolerance std	ISO 406 ISO 1101	projection	mm
		TOLERANCES UNLESS OTHERWISE SPECIFIED					
Dr	M PESSON	11/10/05	ANGULAR	0.X	±0.3	size	A2
Eng	11/10/05	P LEGARE	LINEAR	0.XX	±0.1	Scale	2:1
Chr			0° ±2°	0.XXX	±0.05	ECN	LS07-0273
Appr			Product family			Spec ref	
		SUB MALE DW US foot print		full power right angled solder		cat no	C01-8639-2320
catalog no				Y		sheet 4 of 5	

**5W5**  
**LAYOUT AND CONNECTOR DIMENSIONS**  
 For PCB hole diameters see table 1 sheet 1



8.35 ± 0.12  
 12.55 ± 0.38

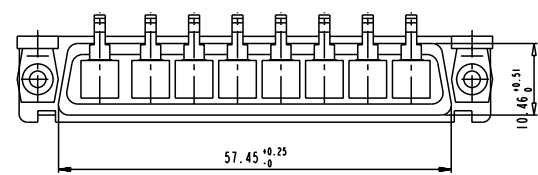
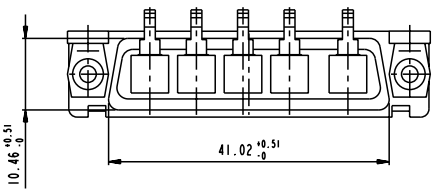
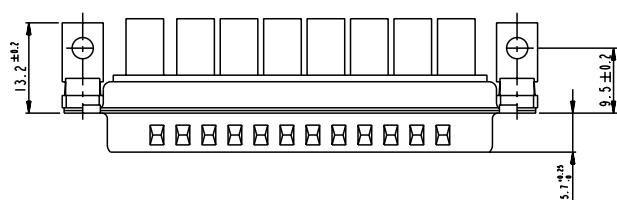
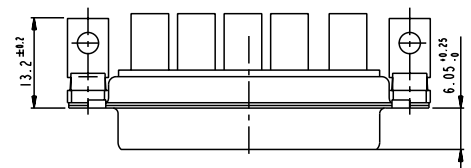
**8W8**  
**LAYOUT AND CONNECTOR DIMENSIONS**  
 For PCB hole diameters see table 1 sheet 1



12.55 ± 0.38  
 8.23 +0.12/0

A  
 B  
 C  
 D  
 E  
 F

A  
 B  
 C  
 D  
 E  
 F



Copyright FCJ

www.fciconnect.com		surface ISO 1302	tolerance std ISO 406 ISO 1101	projection mm
		TOLERANCES UNLESS OTHERWISE SPECIFIED		
Dr M PESSON	11/10/05	ANGULAR	0.X ± 0.3	size A2
Eng 11/10/05	P LEGARE	LINEAR	0.XX ± 0.1	Scale 2:1
Chr		0° ± 2°	0.XXX ± 0.05	ECN LS07-0273
Appr		Product family		Spec ref
FCJ		SUB MALE DW US foot prin full power right angled solder		Rev. C
catalog no			ang no C01-8639-2320	sheet 5 of 5