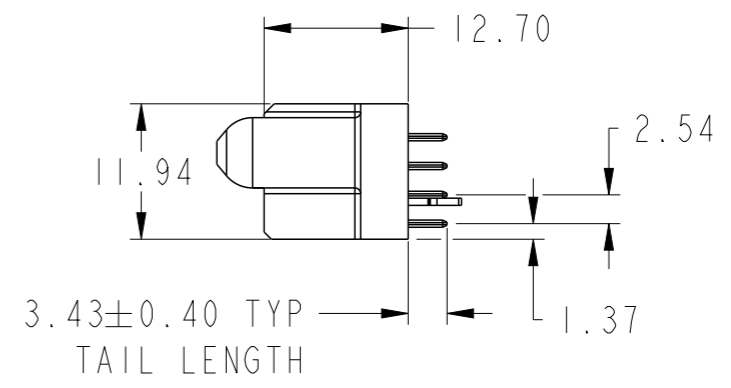
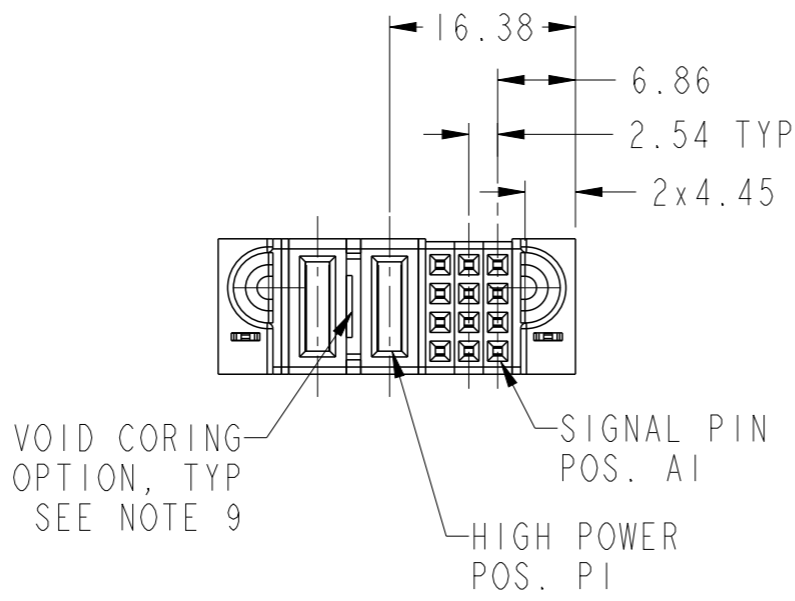
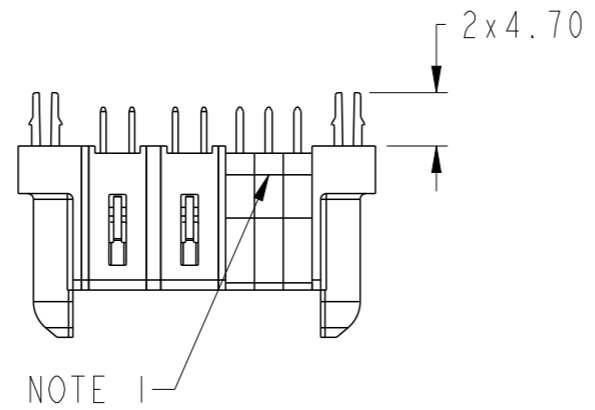
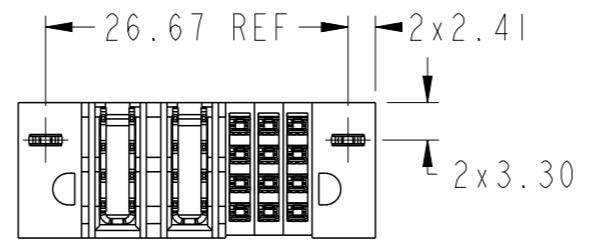


PRODUCT NUMBER SEE SHEET 2

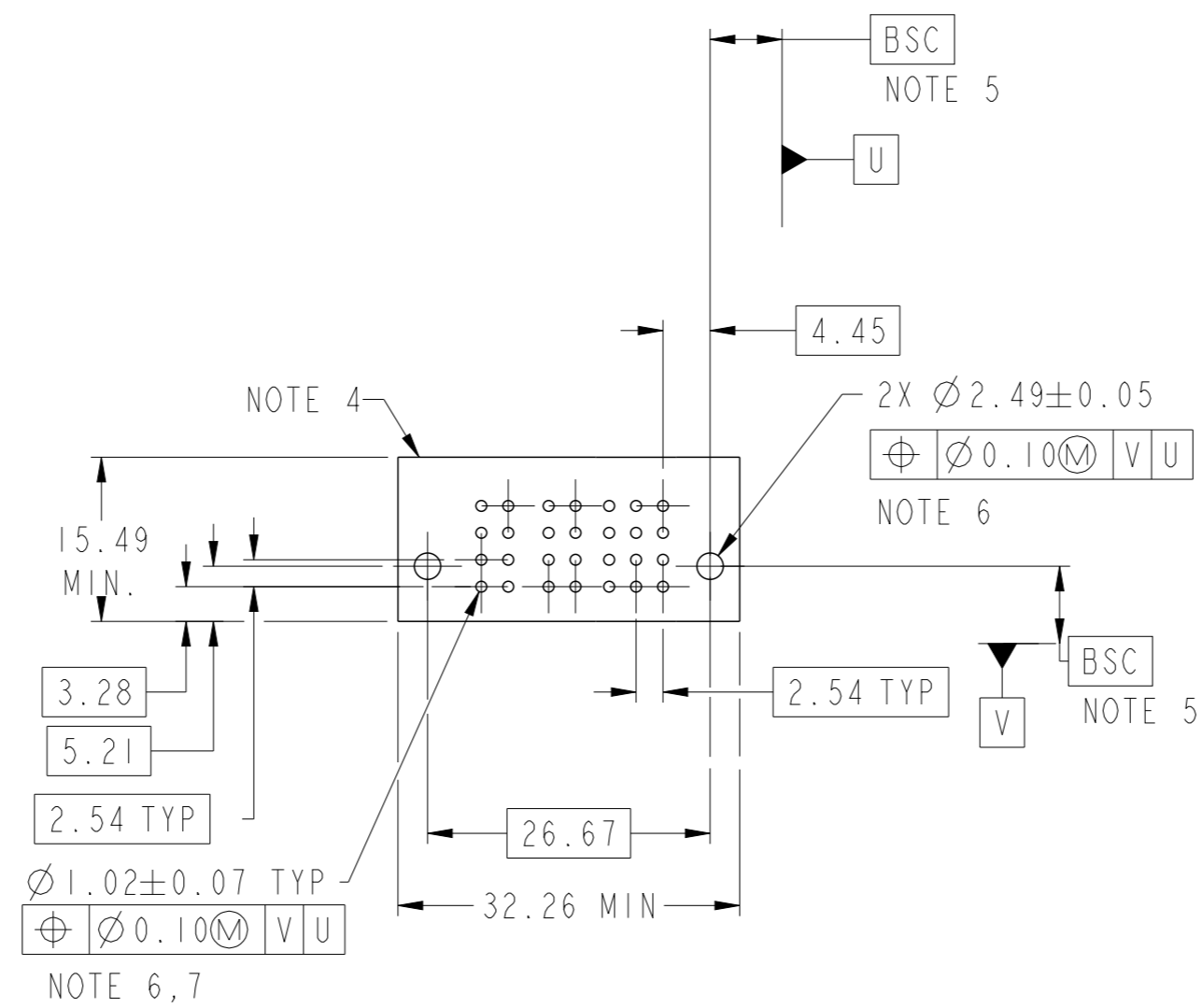


Copyright FCI.

spec ref		dr	Rainbow Zhan	2014/06/25	projection	MM	size	A3	scale	3:2	
tolerance std ASME Y14.5		TOLERANCES UNLESS OTHERWISE SPECIFIED			eng	Rainbow Zhan	2015/01/27	ecn no	-		
		chr	-		product family		PowerBlade+	rel level			
		appr	Pei-Ming Zheng	2015/01/27					Released		
surface	✓	linear	0.X	±0.50	www.fci.com	cat. no.	12S+2HP	dwg no	10106130-2003001	rev	A
			0.XX	±0.25							
			0.XXX	±0.10							
ASME Y14.5		angular	0°	±2°	Product - Customer Drw		sheet 1 of 3				

PRODUCT NO.	ROWS	HP			SIGNAL			
		E1	P2	P1	3	2	1	E2
10106130-2003001LF	DCBA		H3	H3				

CODE	DESCRIPTION
E	STD SIGNAL CONTACT
H3	STD HIGH POWER CONTACT (3.43)
HA	METAL HOLD DOWN



Copyright FCI.

dr	Rainbow Zhan	2014/06/25	projection		MM	size	A3	scale	3:2
eng	Rainbow Zhan	2015/01/27				ecn no	-		
chr	-	-				rel level	Released		
appr	Pei-Ming Zheng	2015/01/27	product family	PowerBlade+					
	12S+2HP				dwg no	10106130-2003001		rev	A
www.fci.com	cat. no.		Product - Customer Drw			sheet 2 of 3			

NOTES:

- 1) "FCI", PART NUMBER AND DATE CODE TO BE MARKED ON THIS SURFACE.
THE MARK CAN BE OMITTED IF THERE IS NOT ENOUGH SPACE ON THIS SURFACE.
- 2) MATERIALS:
-HOUSING - GLASS FILLED WITH HIGH TEMP THERMOPLASTIC, UL94V-0.
-SIGNAL CONTACT - COPPER ALLOY.
-POWER CONTACT - HIGH CONDUCTIVITY COPPER ALLOY.
- 3) PLATING SPECIFICATION REFER TO FCI 10116351
- 4) DENOTES CONNECTOR KEEP OUT ZONE.
- 5) DATUM AND BASIC DIMENSIONS WERE ESTABLISHED BY CUSTOMER.
- 6) ALL HOLE DIAMETERS ARE FINISHED HOLE SIZES.
- 7) 1.15 ± 0.025 MM DRILLED HOLE PLATED WITH 0.00762MM MIN Sn
OVER 0.0254-0.0762MM Cu PLATING TO ACHIEVE A 1.02 ± 0.07 MM HOLE.
- 8) PRODUCT SPECIFICATION REFER TO FCI GS-12-658.
APPLICATION SPECIFICATION REFER TO FCI GS-20-141.
PRODUCT PACKAGED IN TRAYS, REFER TO FCI GS-14-1502.
- 9) THE VOID CORING IN BETWEEN POWER MODULES, SIGNAL
MODULES AND END MODULES ARE OPTIONAL AND THE SHAPE
MAY BE DIFFERENT FOR OPTIMIZE THE MOLDING PROCESS. THE
VOID CORING WILL NOT EFFECT TO PRODUCT FUNCTION.



Copyright FCI.

dr	Rainbow Zhan	2014/06/25	projection 	MM 	size	A3	scale	1:1	
eng	Rainbow Zhan	2015/01/27			ecn no	-			
chr	-	-			rel level	Released			
appr	Pei-Ming Zheng	2015/01/27	product family	PowerBlade+					
		12S+2HP			dwg no	10106130-2003001		rev	A
www.fci.com		cat. no.	Product - Customer Drw		sheet 3 of 3				