

AS5171

High-Resolution On-Axis Magnetic Angular Position Sensor

General Description

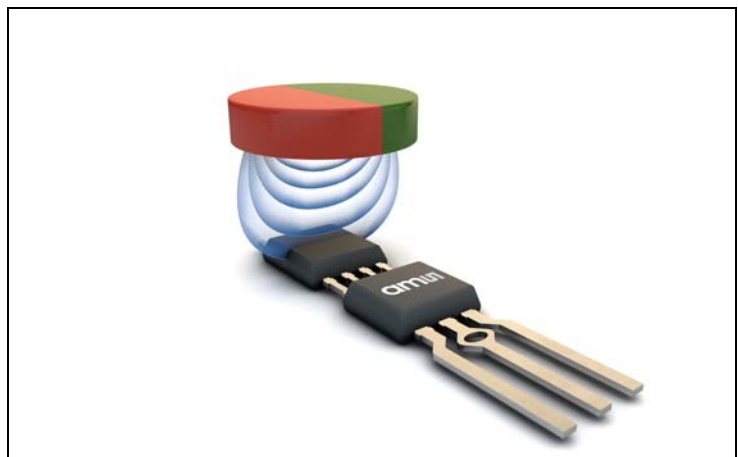
The AS5171 is a high-resolution angular position sensor for precise absolute angle measurement. The AS5171 is available with an analog output interface (AS5171A) or a digital output interface (AS5171B). The latter can be programmed as a PWM or a SENT-compliant output interface.

Based on a Hall sensor technology, this device measures the orthogonal component of the flux density (B_z) over a full-turn rotation and compensates for external stray magnetic fields with a robust architecture based on a 14-bit sensor array and analog front-end (AFE). A sub-range can be programmed to achieve the best resolution for the application. To measure the angle, only a simple two-pole magnet rotating over the center of the package is required. The magnet may be placed above or below the device. The absolute angle measurement provides an instant indication of the magnet's angular position. The AS5171 operates at a supply voltage of 5V, and the supply and output pins are protected against overvoltage up to +20V. In addition the supply pins are protected against reverse polarity up to -20V.

The AS5171A and AS5171B are available in a SIP package (System in Package). The package has integrated the AS5171 sensor die together with the decoupling capacitors necessary to pass system level ESD and EMC requirements. No additional components and PCB on the sensor side is needed. The product is defined as SEooC (Safety Element out of Context) according ISO26262.

Ordering Information and Content Guide appear at end of datasheet.

Figure 1:
Typical Arrangement of AS5171 and a Magnet



Key Benefits and Features

The benefits and features of this device are listed below:

Figure 2:
Added Value of Using AS5171

Benefits	Features
<ul style="list-style-type: none"> Resolve small angular excursion with high accuracy 	<ul style="list-style-type: none"> 12-bit resolution @90° minimum arc
<ul style="list-style-type: none"> Accurate angle measurement 	<ul style="list-style-type: none"> Low output noise, low inherent INL
<ul style="list-style-type: none"> Higher durability and lower system costs (no shield needed) 	<ul style="list-style-type: none"> Magnetic stray field immunity
<ul style="list-style-type: none"> Enabler for safety critical applications 	<ul style="list-style-type: none"> Functional safety, diagnostics, dual redundant chip version
<ul style="list-style-type: none"> Suitable for automotive applications 	<ul style="list-style-type: none"> AEC-Q100 Grade 0 qualified
<ul style="list-style-type: none"> SIP Package (sensor + decoupling capacitors for ESD/EMC) 	<ul style="list-style-type: none"> System cost reduction – no PCB and additional components are needed

Applications

The AS5171 is ideal for automotive applications like:

- Brake and Gas Pedals
- Throttle Valve and Tumble Flaps
- Steering Angle Sensors
- Chassis Ride
- EGR
- Fuel-Level Measurement Systems
- 2/4WD Switch
- Contactless Potentiometers

Block Diagram

The functional blocks of the AS5171A and AS5171B are shown below:

Figure 3:
Functional Blocks of the AS5171A

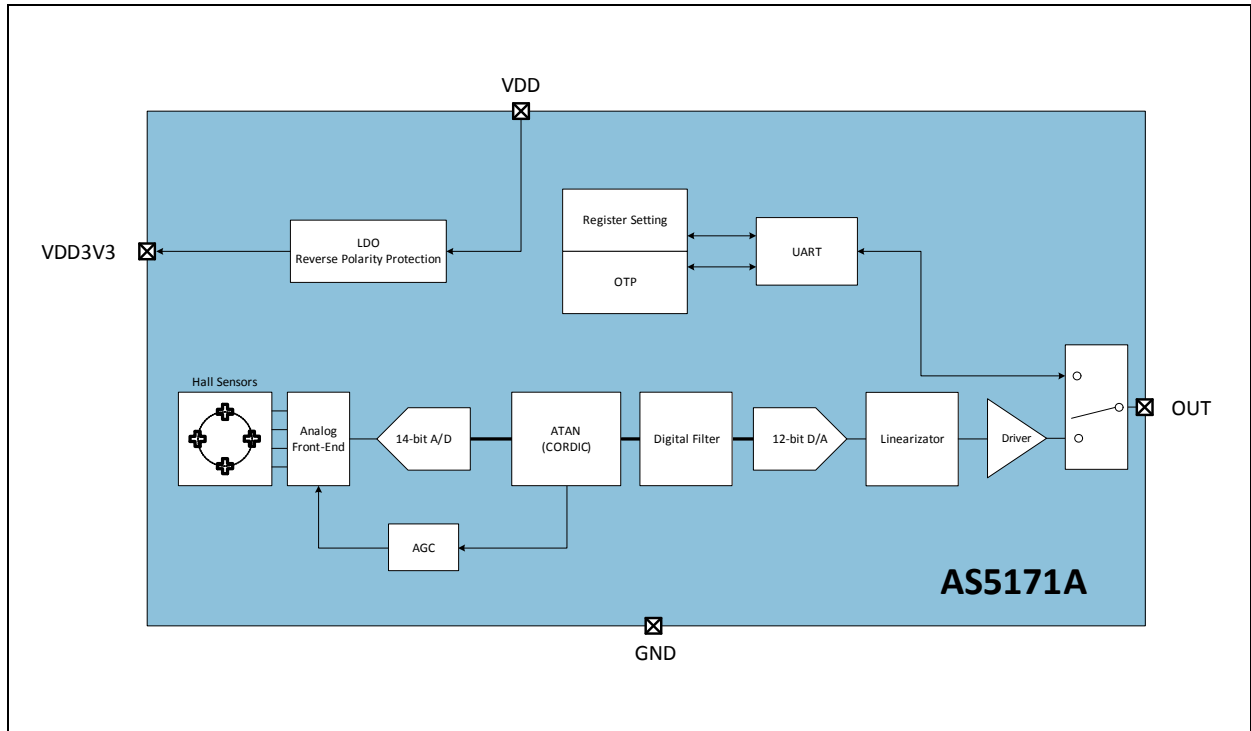
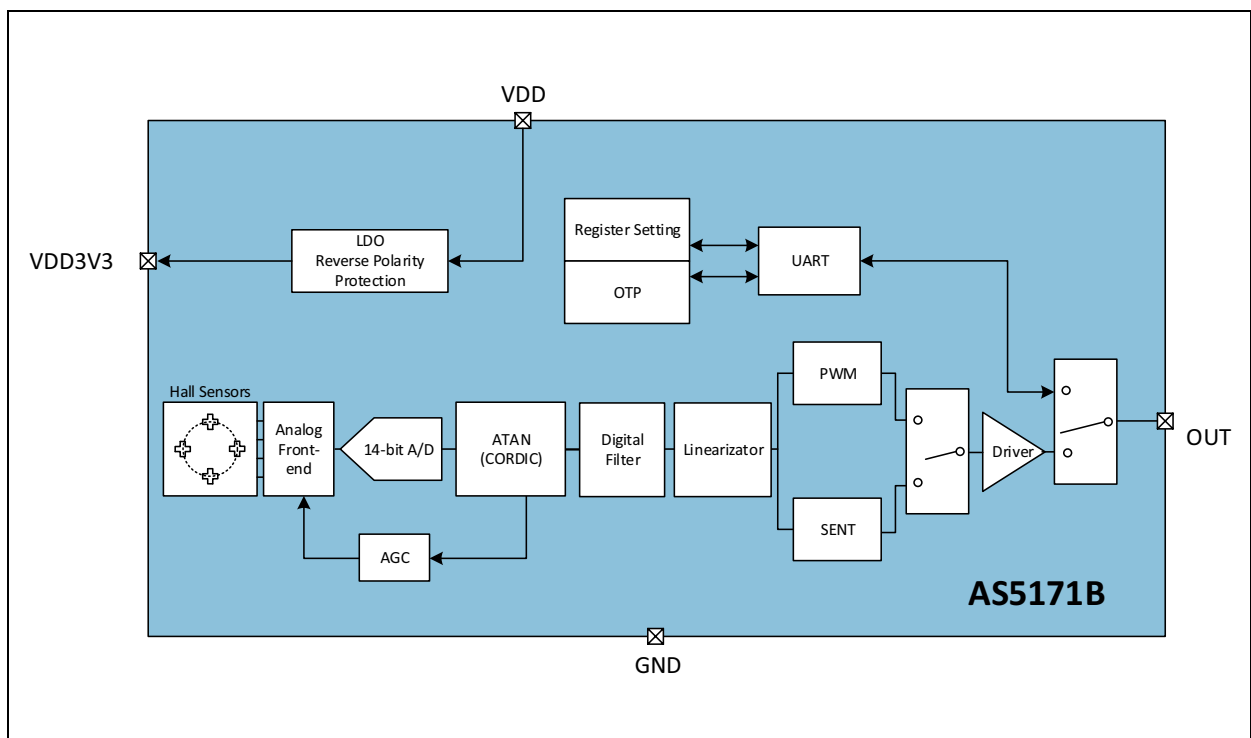


Figure 4:
Functional Blocks of the AS5171B



Pin Assignments

Figure 5:
AS5171A/B Pin Assignment (Top View, SIP)

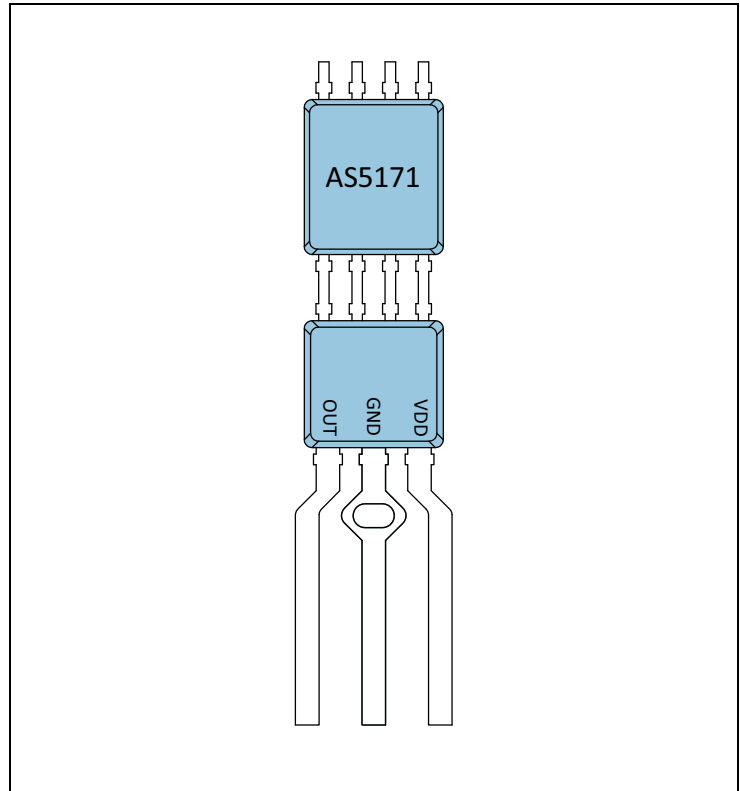


Figure 6:
AS5171A/B Pin Description

Pin #	Pin Name	Pin Type	Description	Comments
SIP				
1	VDD	Supply	Positive supply	5V supply – 100nF capacitor in SIP Body
-	TP1	n.a.	Test pin	
-	TP2	n.a.	Test pin	
-	TP3	n.a.	Test pin	
3	OUT	Analog output (AS5171A) Digital output (AS5171B)	Output interface	4.7nF capacitor in SIP Body
-	TP4	n.a.	Test pin	
-	VDD3V3	Supply		3.3V on-chip low-dropout (LDO) output. 100nF capacitor in SIP Body
2	GND	Supply	Ground	Connected to ground

Absolute Maximum Ratings

Stresses beyond those listed under [Absolute Maximum Ratings](#) may cause permanent damage to the device. These are stress ratings only. Functional operation of the device at these or any other conditions beyond those indicated under [Operating Conditions](#) is not implied. Exposure to absolute maximum rating conditions for extended periods may affect device reliability.

Figure 7:
Absolute Maximum Ratings

Symbol	Parameter	Min	Max	Units	Comments
Electrical Parameters					
VDD	DC Supply Voltage at VDD pin	-20	20	V	Not operational
VOUT	External DC voltage at OUT pin	-0.3	20	V	Permanent
VDIFF	DC voltage difference between VDD and OUT	-20	20	V	
VREGOUT	DC voltage at the VDD3V3 pin	-0.3	5.0	V	
I _{SCR}	Input Current (latch-up immunity)	-100	100	mA	AEC-Q100-004
Continuous Power Dissipation (T_{AMB} = 70°C)					
P _T	Continuous power dissipation		66	mW	Calculated with I _{DDmax} =12mA; VDD=5.5V
Electrostatic Discharge					
ESD _{HBM} on Chip level	Electrostatic discharge HBM	±2		kV	AEC-Q100-002
ESD _{HBM} system	Electrostatic discharge HBM on VDD, Out and GND (outer connects)	±4		kV	AEC-Q100-002
Temperature Ranges and Storage Conditions					
T _{AMB}	Operating temperature range	-40	150	°C	Ambient temperature
TaProg	Programming temperature	5	45	°C	Programming@ Room temperature (25°C ± 20°C)
T _{STRG}	Storage temperature range	-55	150	°C	

Symbol	Parameter	Min	Max	Units	Comments
T_{BODY}	Package body temperature		260	°C	The reflow peak soldering temperature (body temperature) is specified according to IPC/JEDEC J-STD-020 "Moisture/Reflow Sensitivity Classification for Non-hermetic Solid State Surface Mount Devices." The lead finish for Pb-free leaded packages is "Matte Tin" (100% Sn)
RH_{NC}	Relative humidity non-condensing	5	85	%	
MSL	Moisture sensitivity level	3			Represents a maximum floor life time of 168 hours

System Electrical and Timing Characteristics

All in this datasheet defined tolerances for external components need to be assured over the whole operation conditions range and also over lifetime.

Overall condition: $T_{\text{AMB}} = -40^{\circ}\text{C}$ to 150°C , $V_{\text{DD}} = 4.5\text{V}$ to 5.5V ; Components spec; unless otherwise noted

Figure 8:
Operating Conditions

Symbol	Parameter	Conditions	Min	Typ	Max	Unit
VDD	Positive supply voltage		4.5	5.0	5.5	V
VREG	Regulated voltage	VDD3V3 should not be loaded by any external DC current	3.3	3.45	3.6	V
IDD_A	Supply current AS5171A	AGC=255 (no magnet placed); no output load; no short circuit	4		12	mA
IDD_B	Supply current AS5171B	AGC=255 (no magnet placed); no output load; no short circuit	4		10	mA
ISTART	Supply current at start-up	VREG = 2.25V	2.5	5	10	mA
TSUP	Start-up time	Functional mode			10	ms

$T_{\text{AMB}} = -40^{\circ}\text{C}$ to 150°C , $V_{\text{DD}} = 4.5 - 5.5\text{V}$ ($5V_{\text{operation}}$),
Magnetic Characterization; unless otherwise noted

Figure 9:
Electrical System Characteristics

Symbol	Parameter	Conditions	Min	Typ	Max	Unit
CRES	Core resolution				14	bit
ARES	Analog resolution (AS5171A)	Range > 90°			12	bit
DRES	Digital resolution (AS5171B)				12	bit
INLopt	Integral non-linearity (optimum)	Best aligned reference magnet ⁽¹⁾ at 25°C over full turn 360°	-0.5		0.5	deg
INLtemp	Integral non-linearity (optimum)	Best aligned reference magnet ⁽¹⁾ over temperature -40°C to 150°C over full turn 360°	-0.9		0.9	deg
INL	Integral non-linearity	Best aligned reference magnet ⁽¹⁾ over temperature -40°C to 150°C over full turn 360° and displacement	-1.4		1.4	deg
ON	Output noise peak to peak	Static conditions - filter on			1	LSB
ST	Sampling time			125		µs

Note(s):

1. Reference magnet: NdFeB, 6 mm diameter, 2.5 mm thickness

Figure 10:
Power Management – Supply Monitor - Timing

Symbol	Parameter	Conditions	Min	Typ	Max	Unit
VDDUVTH	VDD undervoltage upper threshold		3.5	4.0	4.5	V
VDDUVTL	VDD undervoltage lower threshold		3.0	3.5	4.0	V
VDDUH	VDD undervoltage hysteresis		300	500	900	mV
UVDT	VDD undervoltage detection time	Time devices detects undervoltage $VDD < VDDUVTH$	10	50	250	µs
UVRT	Undervoltage recovery time	Time device return into normal mode from failure band $VDD > VDDUVTH$	10	50	250	µs
VDDOVTH	VDD overvoltage upper threshold		6.0	6.5	7.0	V

Symbol	Parameter	Conditions	Min	Typ	Max	Unit
VDDOVTL	VDD overvoltage lower threshold		5.5	6.0	6.5	V
VDDOH	VDD overvoltage hysteresis		300	500	900	V
OVDT	VDD overvoltage detection time	Time device detects overvoltage $VDD > VDDOVTL$	500	1000	2000	μs
OVRT	VDD overvoltage recovery time	Time device return into normal mode from failure band $VDD < VDDOVTL$	500	1000	2000	μs
TDETWD	WatchDog error detection time	Time device detects oscillator failure till output is in failure band			12	ms

$T_{AMB} = -40^{\circ}C$ to $150^{\circ}C$, $VDD = 4.5V$ to $5.5V$, unless otherwise noted.

Two-pole cylindrical diametrically magnetized source:

Figure 11:
Magnetic Characteristics

Symbol	Parameter	Conditions	Min	Typ	Max	Unit
Bz	Orthogonal magnetic field strength	Required orthogonal component of the magnetic field strength measured at the package surface along a circle of 1.25 mm $M_{FER} = 0$	30		70	mT
BzE	Orthogonal magnetic field strength – extended mode	Required orthogonal component of the magnetic field strength measured at the package surface along a circle of 1.25mm $M_{FER} = 1$	10		90	mT
Disp ⁽¹⁾	Displacement radius	Offset between defined device center and magnet axis. Dependent on the selected magnet.		0.5		mm

Note(s):

1. Reference magnet: NdFeB, 6 mm diameter, 2.5 mm thickness

Figure 12:
Electrical and Timing Characteristics Analog Output (AS5171A)

Symbol	Parameter	Conditions	Min	Typ	Max	Unit
INLOS	INL output stage		-6		+6	LSB
DNLOS	DNL output stage		-5		+5	LSB
RERR ⁽¹⁾	Ratiometricity error	Between 4% and 96% of VDD	-0.5%		0.5%	VDD
BVPU	Output voltage broken VDD with pull-up resistor	Pull-up resistor must be in the specified range (see Figure 38)	96		100	%VDD
BGPD	Output voltage broken ground with pull-down resistor	Pull-down resistor must be in the specified range (see Figure 38)	0		4	%VDD
OSSCG	Output short-circuit current GND	OUT = GND	-20	-10	-5	mA
OSSCV	Output short-circuit current VDD	OUT = VDD	5	10	20	mA
OSSDT	Output short-circuit detection time	OUT = GND or OUT = VDD	20	200	600	μs
OSSRT	Output short-circuit recovery time		2	5	20	ms
OLCH	Output level clamping high	Output current at OUT pin -3 mA	96			%VDD
OLCL	Output level clamping low	Output current at OUT pin 3 mA			4	%VDD
OSPSR	Output stage positive step response (driver only)	From 0 to 90%VDD, measured at OUT pin, with RPUOUT = 4.7kΩ, CLOAD = 1nF, VDD = 5V			250	μs
OSNSR	Output stage negative step response (driver only)	From VDD to 10%VDD, measured at OUT pin, with RPUOUT = 4.7kΩ, CLOAD = 1nF, VDD = 5V			250	μs
OSTD	Output stage temperature drift	of value at mid code, info parameter not tested in production	-0.2		0.2	%

Note(s):

- For each code the ratiometricity error is defined as follows:

$$\text{VOURATE} = \frac{(\text{VOUAct} - (\text{VOUtyp} * (\text{VDDact} / \text{VDDtyp}))}{\text{VDDtyp}} * 100$$
 Where:
 - VOUAct is the actual output voltage
 - VOUtyp is the typical output voltage
 - VDDact is the actual supply voltage
 - VDDtyp is the typical supply voltage

Figure 13:
Electrical and Timing Characteristics PWM Output (AS5171B)

Symbol	Parameter	Conditions	Min	Typ	Max	Unit
PWSSOCG	Short-circuit output current	OUT = GND	-20	-10	-5	mA
PWSSOCV	Short-circuit output current	OUT = VDD	5	10	20	mA
PWSSDT	PWM short-circuit detection time	OUT = GND or OUT = VDD			5	% PWM clock cycle
PWSSRT	PWM short circuit recovery time			6		% PWM clock cycle
BKPWMVOH	PWM output voltage high in broken condition	Broken VDD or broken GND, OUT = high, PWMVOH=VDD-VOUT RPU = 10kΩ or RPD = 10kΩ	0		0.4	V
BKPWMVOL	PWM output voltage low in broken condition	Broken VDD or broken GND, OUT = low, RPU = 10kΩ or RPD = 10kΩ	0		0.4	V
PWMF7	PWM frequency	PWMFR = 111	112.5	125	137.5	Hz
PWMF6	PWM frequency	PWMFR = 110	180	200	220	Hz
PWMF5	PWM frequency	PWMFR = 101	225	250	275	Hz
PWMF4	PWM frequency	PWMFR = 100	360	400	440	Hz
PWMF3	PWM frequency	PWMFR = 011	450	500	550	Hz
PWMF2	PWM frequency	PWMFR = 010	720	800	880	Hz
PWMF1	PWM frequency	PWMFR = 001	900	1000	1100	Hz
PWMF0	PWM frequency	PWMFR = 000	1800	2000	2200	Hz
PWMVOH	PWM output voltage level high	IOUT = 5 mA, PWMVOH = VDD - VOUT	0		0.4	V
PWMVOL	PWM output voltage level high	IOUT = 5 mA	0		0.4	V
PWMSRF	PMM slew rate fast	Between 25% and 75% of VDD, RPUOUT = 4.7kΩ, CLOUT1 = 4.7nF, PWMSR = 0	1	2	4	V/μs

Symbol	Parameter	Conditions	Min	Typ	Max	Unit
PWMSRS	PMM slew rate slow	Between 25% and 75% of VDD, RPUOUT = 4.7kΩ, CLOUT1 = 4.7nF, PWMSR = 1	0.5	1	2	V/μs

Figure 14:
Electrical and Timing Characteristics SENT Output (AS5171B)

Symbol	Parameter	Conditions	Min	Typ	Max	Unit
SENTSSOC	SENT short-circuit output current	OUT = 20V	10	20	40	mA
		OUT = 0V	-40	-20	-10	mA
BKSENTVOH	SENT output voltage in broken condition	Broken VDD or broken GND, RPU = 50kΩ, SENT constantly high	0		1.2	V
SENTVOH	SENT output voltage high		4.1			V
SENTVOL	SENT output voltage low				0.5	V
SENTFT	SENT fall time				6.5	μs
SENTRT	SENT rise time				18	μs

Figure 15:
Electrical and Timing Characteristics UART Interface

Symbol	Parameter	Conditions	Min	Typ	Max	Unit
UARTVIH	UART high level input voltage		70			%VDD
UARTVIL	UART low level input voltage				30	%VDD
UARTVOH	UART high level output voltage		VDD-0.5			V
UARTVOL	UART low level output voltage				0.5	V
UARTBRLIM ⁽¹⁾	UART baud rate		2400		9600	Baud

Note(s):

1. Typ. error 1%. Indirect tested.

Detailed Description

The AS5171 is a Hall-based rotary magnetic position sensor using a CMOS technology. The lateral Hall sensor array converts the magnetic field component perpendicular to the surface of the chip into a voltage.

The signals coming from the Hall sensors are first amplified and filtered before being converted by the analog-to-digital converter (ADC). The output of the ADC is processed by the CORDIC block (Coordinate-Rotation Digital Computer) to compute the angle and magnitude of the magnetic field vector. The sensor and analog front-end (AFE) section works in a closed loop alongside an AGC to compensate for temperature and magnetic field variations. The calculated magnetic field strength (**MAG**), the automatic gain control (**AGC**) and the angle can be read through the output pin (OUT) in **UART** mode.

The magnetic field coordinates provided by the CORDIC block are fed to a digital filter which reduces noise. A linearization block generates the transfer function, including linearization. The AS5171 is available with two different output interfaces: analog ratiometric (AS5171A) or digital PWM or SENT (AS5171B).

The output of the AS5171 can be programmed to define a starting position (zero angle) and a stop position (maximum angle). An embedded linearization algorithm allows reducing the system INL error due, for example, to mechanical misalignment, magnet imperfections, etc.

The AS5171 can be programmed through the OUTpin with a UART interface which allows writing an on-chip non-volatile memory (OTP) where the specific settings are stored. The AS5171 can be programmed by the **ams** programming tool, both at the component and board level.

Register Description

The register description for AS5171A/B are explained below:

- Descriptions and Settings with Analog are supported by AS5171A
- Descriptions and Settings with PWM are supported by AS5171B

Figure 16:
Non-Volatile Memory Register Description

Address	Bit Position	Field	Description
0x0A	7:0	CUSTID0	Customer ID byte 0
0x0B	7:0	CUSTID1	Customer ID byte 1
0x0C	7:0	CUSTID2	Customer ID byte 2
0x0D	7:0	CUSTID3	Customer ID byte 3
0x0E	0	PWMINV	PWM inverted
	1	PWMSR	PWM slew rate (0 = PWM slew rate fast PWMSRF, 1 = PWM slew rate slow PWMSRS)
	3:2	DIGOS	Digital output stage (00 = PWM push-pull 01 = PWM pull-down 10 = PWM pull-up 11 = SENT) It applies to the AS5171B only
	6:4	RBKDEB	Analog read-back debouncing
	7	n.a.	Not used
0x0F	0	FBS	Failure band selection (0 = lower failure band, 1 = upper failure band)
	2:1	HYST	Hysteresis across the brake point
	4:3	QUAD	Quadrant selection
	7:5	PWMFR	PWM frequency selection
0x10	1:0	PWMRTH	PWM rising threshold TBD
	3:2	PWMFTH	PWM falling threshold TBD
	7:4	SENTMID	SENT Message ID
0x11	4:0	SENTTK	SENT tick
	5	SENTESM	Enable SENT serial message
	6	SENTPP	SENT pause pulse enable (1 = enable, 0 = disable)
	7	SENTRC	SENT rolling counter enable (1 = enable, 0 = disable)

Address	Bit Position	Field	Description
0x12	3:0	n.a	No use. Default 0
	6:4	n.a	No use. Default 0
0x13	3:0	n.a	No use. Default 0
	6:4	n.a	No use. Default 0
0x14	7:0	CLMPH	Clamping level high Reg 0x14[0] =LSB Reg 0x15[3]=MSN
0x15	3:0		
0x15	7:4	CLMPL	Clamping level low Reg 0x15[4] =LSB Reg 0x16[7]=MSN
	0x16		
0x17	7:0	PPOFFSET	Post processing offset Reg 0x17[0] =LSB Reg 0x19[3]=MSB
0x18	7:0		
0x19	3:0		
	7:4	PPGAIN	Post processing gain Reg 0x19[4] =LSB Reg 0x1B[3]=MSB
0x1A	7:0		
0x1B	4:0	BP	Break point Reg 0x1B[5] =LSB Reg 0x1D[2]=MSB
	7:5		
0x1C	7:0		
0x1D	2:0		
	3	MFER	Magnetic field extended range (1 = Bz, 0 = BzE)
	4	AER	Angle extended range (set to 1 if the maximum angle excursion is smaller than 22 degree)
	6:5	FILTER	Post processing filter
	7	CUSLOCK	Customer settings lock
0x1E	7:0	SIGN	Signature

Figure 17:
Volatile Memory Register Description

Address	Bit Position	Field	R/W	Description
0x22	7:0	DAC12IN	R/W	Input word of the 12-bit output DAC (Reg0x23[3] = MSB, Reg0x22[0] = LSB)
0x23	3:0		R/W	
	4	DAC12INSEL	R/W	DAC 12 input buffer selection
	5	DSPRN	R/W	Digital signal processing reset
	6	GLOAD	R/W	Enable of gload
	7	-	-	Not used
0x32	7:0	ANGLECORDIC	R	Angle of the CORDIC output block. (Reg0x33[5] = MSB, Reg0x32[0] = LSB)
0x33	5:0			
		7:6	-	-
0x34	7:0	MAG	R	CORDIC magnitude
0x35	7:0	AGC	R	AGC value
0x36	7:0	ANGLEFILTER	R	Angle of the digital filter output block (Reg0x37[3] = MSB, Reg0x36[0] = LSB)
0x37	3:0			
0x37	7:4	-	-	Not used

Figure 18:
Special Functions

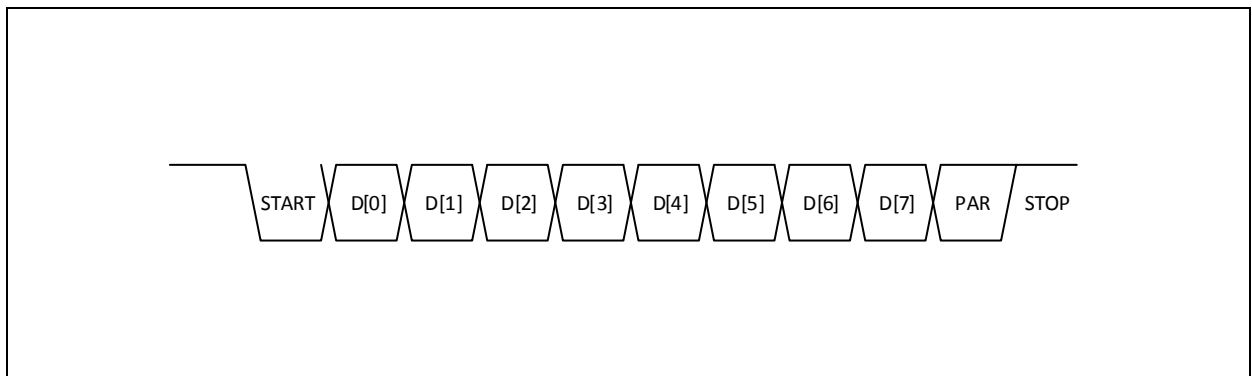
Address	Bit Position	Field	Description
0x60	7:0	P2F	Pass-to-Function, see UART
0x61	7:0		
0x62	7:0	BURNOTP	Permanently burn OTP, see UART
0x63	7:0		

UART Interface

The AS5171 is equipped with a UART interface, which allows reading and writing the registers as well as permanently programming the non-volatile memory (OTP). By default (factory setting, customer_lock = 0) the AS5171 is in the so-called *Communication Mode* and the UART is connected at the output pin (OUT). In this mode, the device is in open-drain mode and therefore a pull-up resistor has to be connected on the output.

The UART interface allows reading and writing two consecutive addresses. The standard UART sequence consists of four frames. Each frame begins with a start bit (START), which is followed by 8 data bits (D[0:7]), one parity bit (PAR), and a stop bit (STOP), as shown in [Figure 19](#).

Figure 19:
UART Frame



The PAR bit is even parity calculated over the data bits (D[0:7]). Each frame is transferred from LSB to MSB.

The four frames are shown in [Figure 20](#).

Figure 20:
UART Frame Sequence

Frame Number	D[7]	D[6]	D[5]	D[4]	D[3]	D[2]	D[1]	D[0]
1	0x55							
2	R/W	ADDRESS						
3	DATA1							
4	DATA2							

The first frame is the synchronization frame and consists of D[0:7] = 0x55 followed by the parity bit (PAR=0) and the stop bit. This frame synchronizes the baud rate between the AS5171 and the host microcontroller.

The second frame contains the read/write command (D[7] = 0 Write, D[7] = 1 Read) and the address of the register (D[6:0] = ADDRESS).

The content of the third and fourth frames (DATA1 and DATA2) will be written to or read from the location specified by ADDRESS and ADDRESS+1, respectively.

Figure 21 and Figure 22 show examples of read and write.

Figure 21:
Example of Write (Reg[0x22] = 0x18, Reg[0x23] = 0xA2)

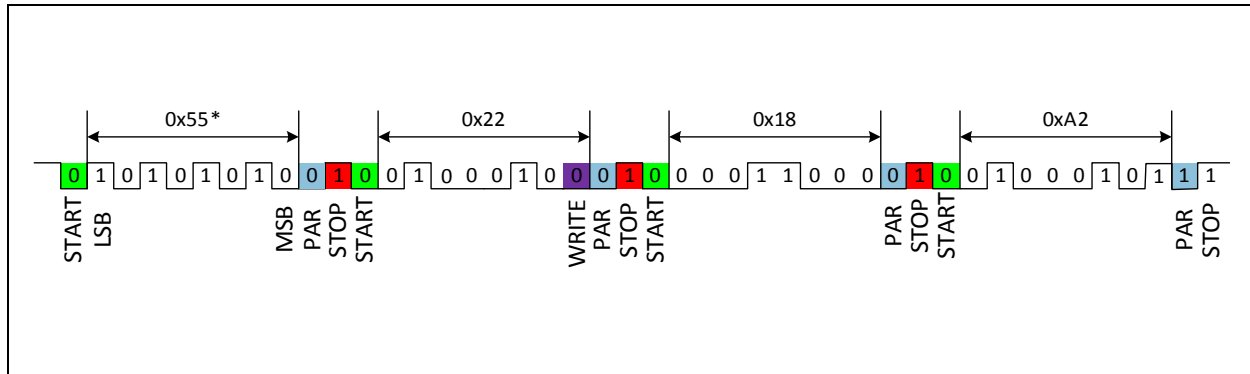
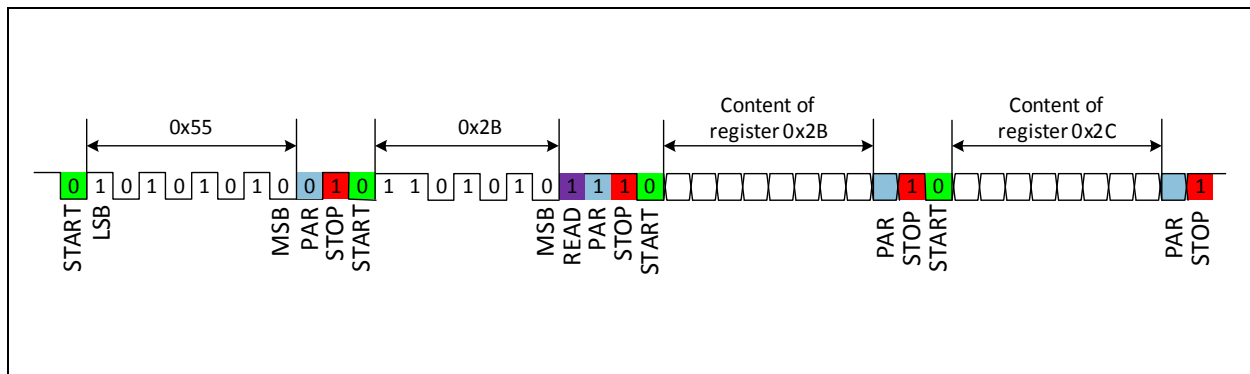


Figure 22:
Example of Read (Reg[0x2B], Reg[0x2C])



Exiting Communication Mode

Communication mode is exited and operational mode is entered with a Pass-to-function (P2F) command, by writing to the virtual registers 0x60 and 0x61:

P2F: write(0x60) = 0x70, write(0x61) = 0x51

No more commands can be sent after sending this command, because the device is permanently placed in operational mode.

Programming OTP Registers

The BURNOTP command writes the OTP registers with their programmed values. The command is issued by writing to virtual registers 0x62 and 0x63:

BURNOTP: write(0x62) = 0x70, write(0x63) = 0x51.

Customer ID

A specific identifier chosen by the user can be stored in the non-volatile memory. This identifier consists of 4 bytes and can be stored in the locations [CUSTID0](#), [CUSTID1](#), [CUSTID2](#), and [CUSTID3](#).

Output Linear Transfer Function

A linear transfer function controls the state of the output in response to the absolute orientation of the external magnet. The parameters which control this function are shown in [Figure 23](#).

To calculate this settings into the corresponding sensor settings, **ams** provides a programming tool, specific DLL or the complete source code. For more information, please contact **ams**.

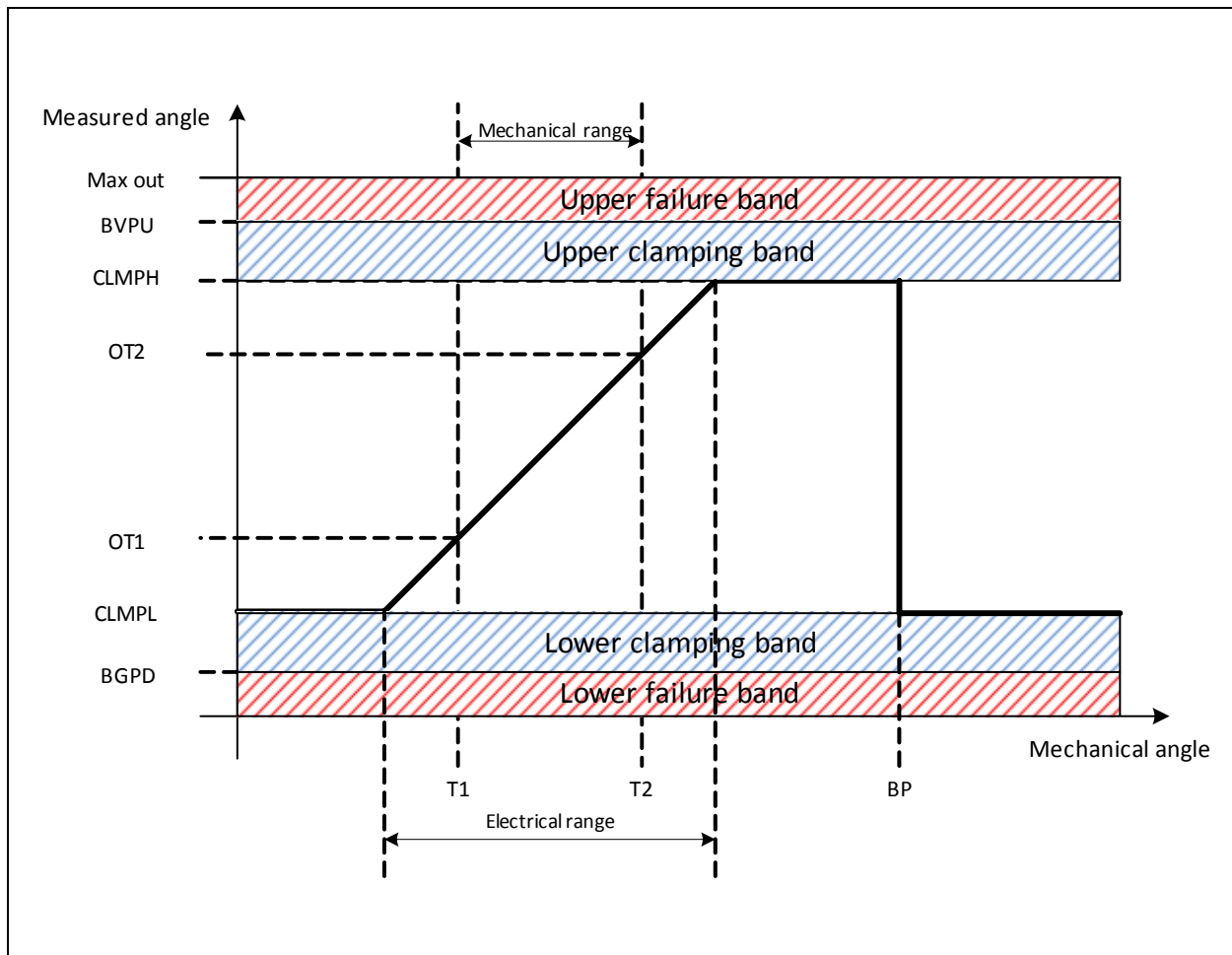
Figure 23:
Transfer Function Control Parameters

Symbol	Parameter	Resolution [bit]
T1	Mechanical angle starting point	14
T2	Mechanical angle stop point	14
OT1	Output at the starting point (T1)	12
OT2	Output at the stop point (T2)	12
CLMPL	Clamping level low	12
CLMPH	Clamping level high	12
BP	Breakpoint	14

As shown in the [Figure 24](#), the parameters T1, T2, OT1, and OT2 define the input-to-output linear transfer function. The dedicated programmer for the AS5171 uses the parameters from [Figure 23](#) to generate the corresponding settings [CLMPL](#), [CLMPH](#), [PPOFFSET](#), [PPGAIN](#) and [BP](#) (see [Figure 24](#)).

The clamping level parameters [CLMPL](#) and [CLMPH](#) define the absolute minimum and maximum level of the output. Both clamping levels can be set with the 12 LSBs out of the 12-bit output resolution. [CLMPL](#) and [CLMPH](#) must always be set outside of the lower and upper diagnostic failure band defined by the output broken wire voltage (see [Figure 24](#): [BGPD](#) and [BVPU](#)).

Figure 24:
Output Transfer Function



The breakpoint **BP** sets the discontinuity point where the output jumps from one clamping level to the other. It is strongly recommended to set the breakpoint at the maximum distance from the start and stop position (**T1** and **T2**). To handle the case of a full turn, a hysteresis function across the breakpoint can be used to avoid sudden jumps between the lower and upper clamping level.

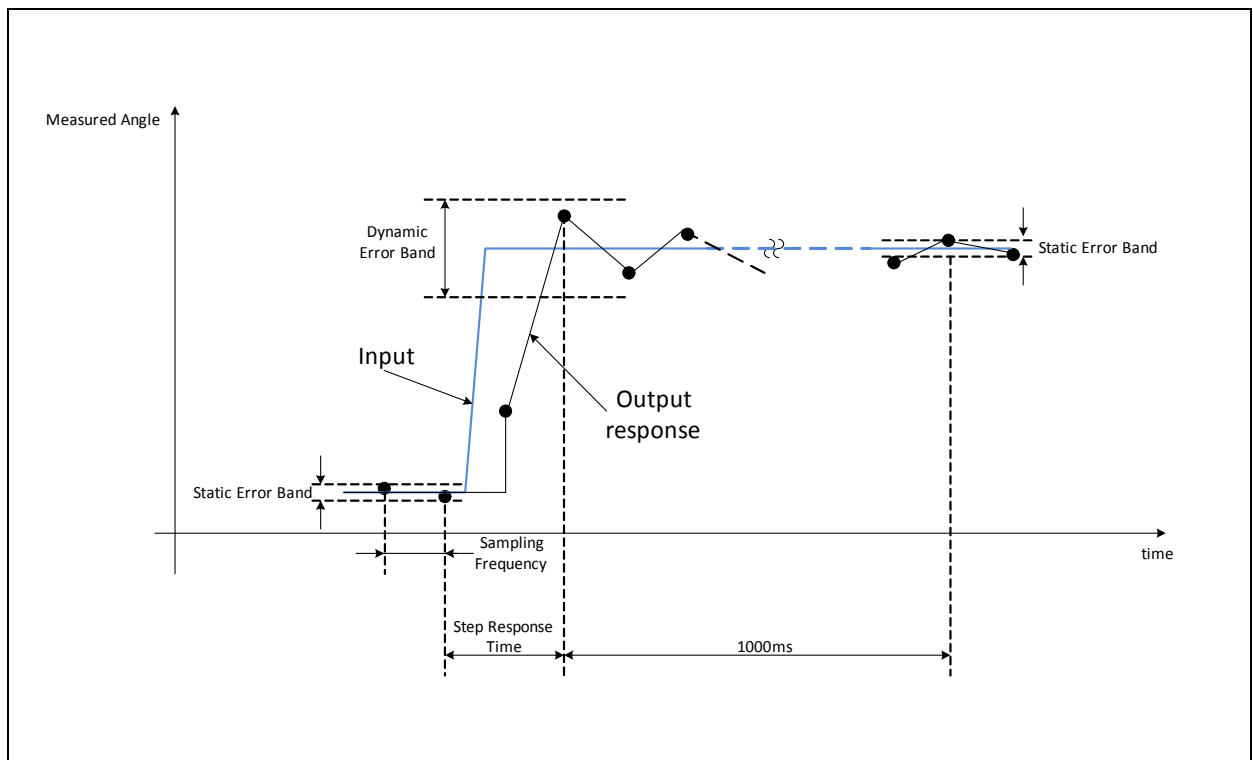
Figure 25:
Hysteresis Setting

HYST	Hysteresis LSBs
00	0
01	56
10	91
11	137

The hysteresis LSB is based on the core resolution (14-bit).

The AS5171 features a programmable digital filter. As shown in Figure 26 in a static condition (no change of the input), the static error band is ± 0.5 LSB (at 12-bit resolution). Whenever an input step occurs, the output (measured angle) follows the input (mechanical angle) entering a certain error band within the step response time. From the time when the output is within the static error band the output takes 1000 ms to settle to the static error band achieving again ± 0.5 LSB output noise. The filter is not usable in 360° range, if the Hysteresis setting is on.

Figure 26:
Step Response



It is possible to optimize the step response time versus the dynamic error band with the [FILTER setting](#).

Figure 27:
FILTER Setting

FILTER	Dynamic Error Band [LSB]	Step Response Time [μs]
00	Filter off	Not applicable
01	23	5 CORDIC cycles

Multiple Quadrants

The multiple quadrants option allows repeating the same output control parameters up to 4 times over the full turn rotation as shown in the [Figure 29](#), [Figure 30](#), and [Figure 31](#). The **QUAD** parameter sets the number of quadrants, as shown in the [Figure 28](#).

Figure 28:
Number of Quadrants

QUADEN	Number of Quadrants
00	Single
01	Double
10	Triple
11	Quadruple

Figure 29:
Dual Quadrant Mode

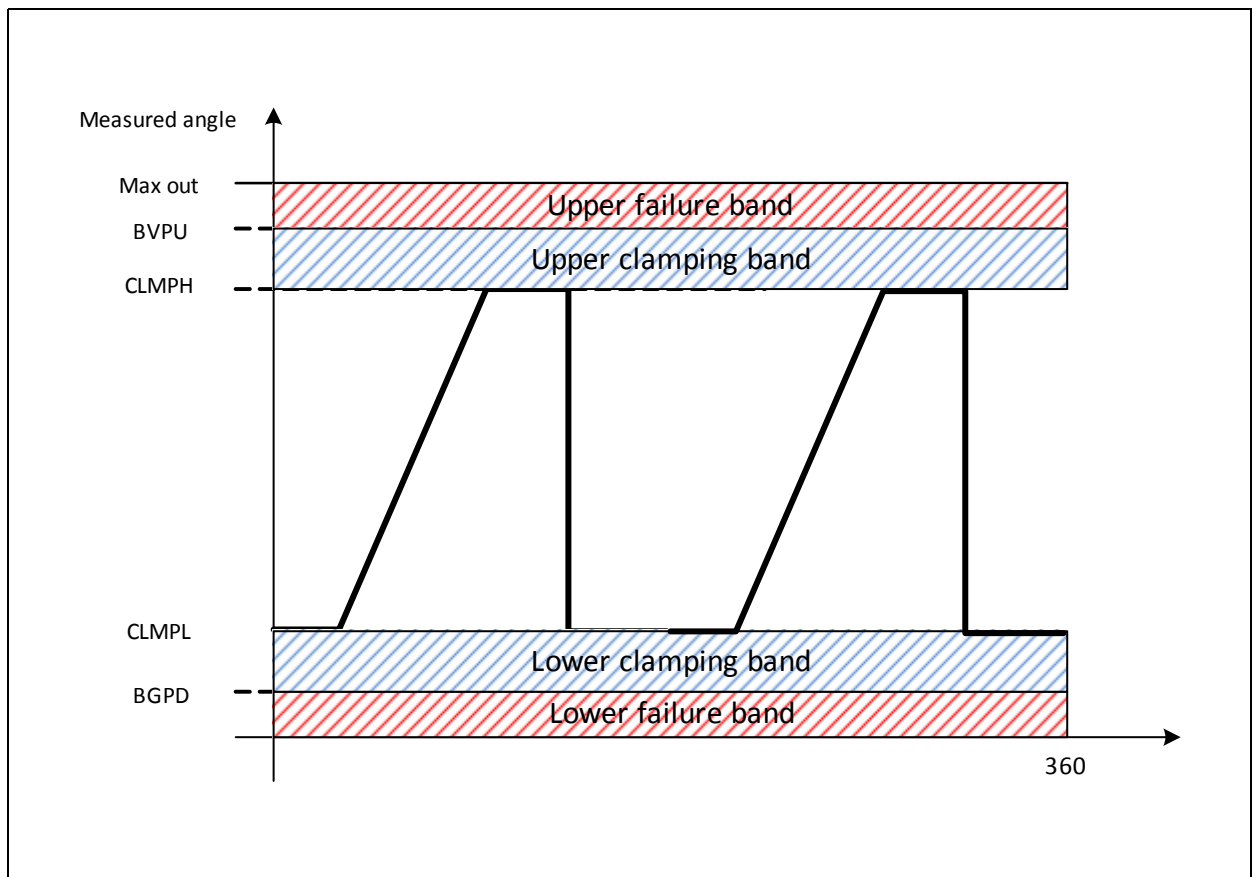


Figure 30:
Triple Quadrant Mode

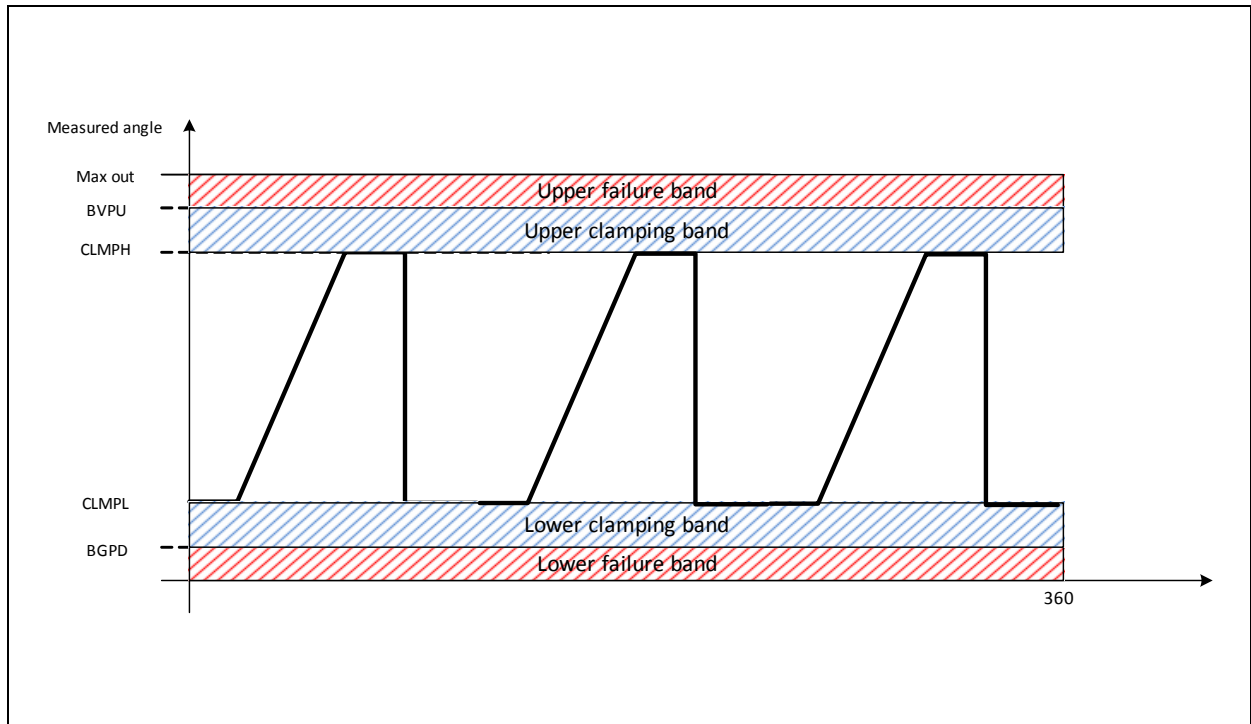
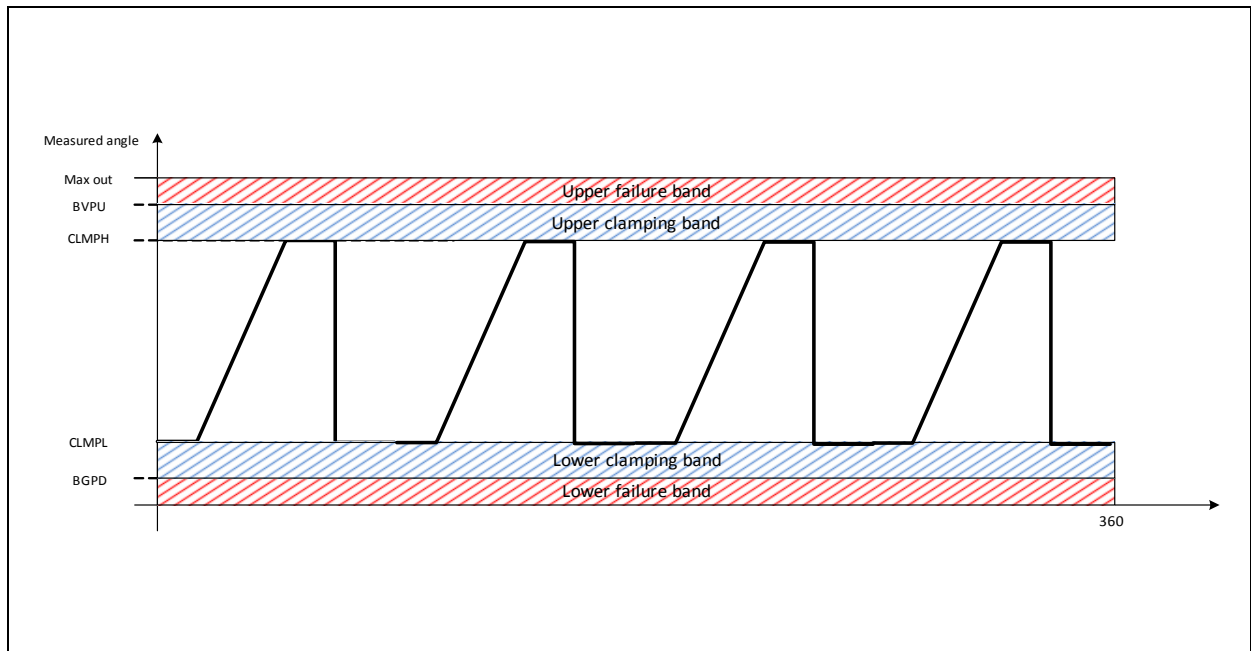


Figure 31:
Quadruple Quadrant Mode



Extended Magnetic Input Range

The magnetic input field range can be boosted with the **MFER** bit. The extended magnetic field allows increasing the maximum air gap between the AS5171 and the magnet.

Analog Output (AS5171A)

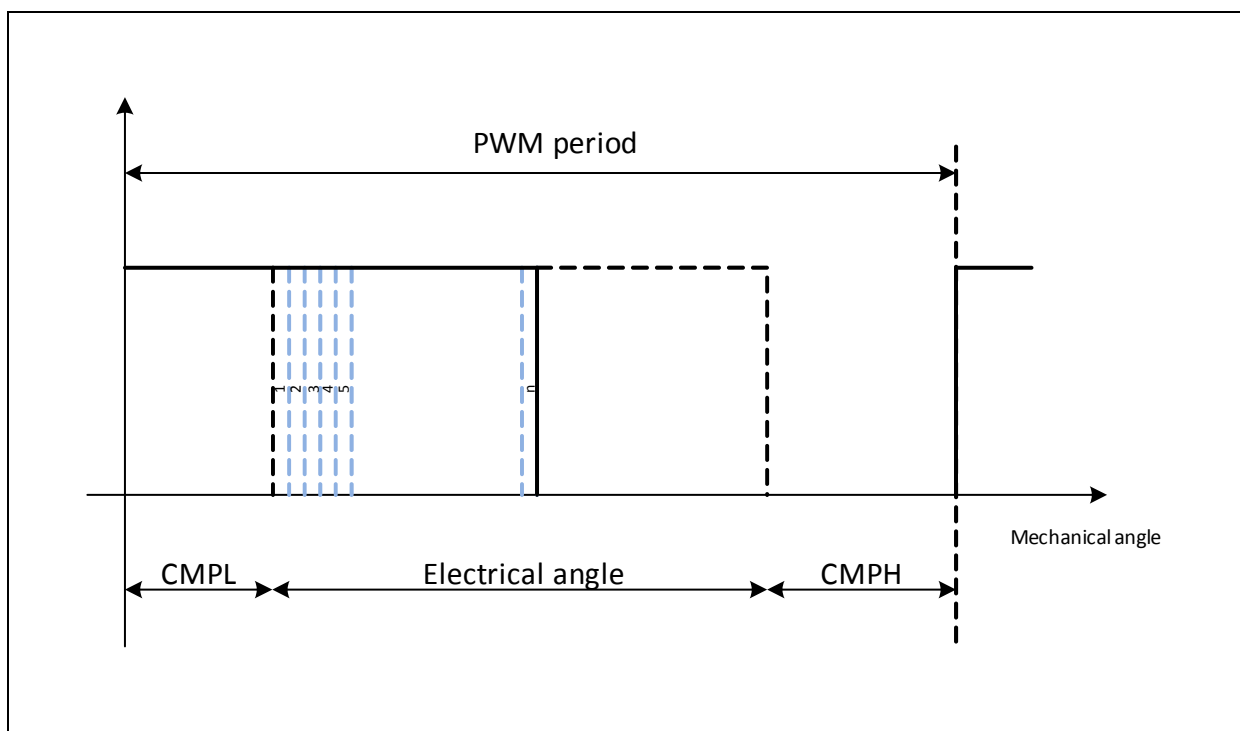
The AS5171A provides a linear analog ratiometric output signal. The output buffer features a push-pull analog output stage which can be loaded with a pull-down or a pull-up resistor. The output voltage represents the angular orientation of the magnet above the AS5171A on a linear absolute scale and is ratiometric to VDD.

PWM Output (AS5171B)

The AS5171B has a PWM output. With the **DIGOS** setting, the PWM output stage can be programmed as a push-pull, pull-down, or pull-up driver. The duty-cycle of each pulse is proportional to the absolute angular position of the external magnet.

The PWM signal consists of a frame of 4096 clock periods as shown in **Figure 32**. The PWM frame begins with a certain number of clocks high, defined by the **CLMPL**, which is followed by the electrical angle information. The frame ends with a certain number of clock pulses low, as defined by the **CLMPH**. It is possible to invert the frame using the **PWMINV** setting.

Figure 32:
Pulse Width Modulation Frame



The **PWMFR** setting sets the duration of the PWM frequency. The **PWMSR** setting chooses between fast and slow steps.

SENT Output

The AS5171B provides a SENT-compatible output (Single Edge Nibble Transmission) interface which is compliant with the SAE-J2716 standard (Jan-2010) and features the Single Secure Sensor and the Single Sensor protocol (refer to SENT_J2716_Standard - Appendix A.3 and A.4). SENT is a single-wire interface based on a unidirectional communication scheme from the sensor (transmitter) to the engine control unit (receiver). The sensor constantly transmits data to the receiver.

The SENT interface can be enabled on the AS5171B with the **DIGOS** setting.

The SENT frame consists of 8 nibbles in which each nibble is made up by 4 bits. The duration of the nibbles is variable and depends on its content and tick frequency. With the AS5171B, the tick frequency is selected by the **SENTTK** setting, as shown in the below figure.

Figure 33:
SENT Tick Period

SENTTK	SENT Tick Period (μs)
00000	3
00001	4
00010	4.5
00011	5
00100	5.5
00101	5.75
00110	6.5
00111	6.75
01000	7.5
01001	8
01010	8.5
01011	9
01100	9.5
01101	10
01110	10.25
01111	10.5
10000	10.75
10001	11

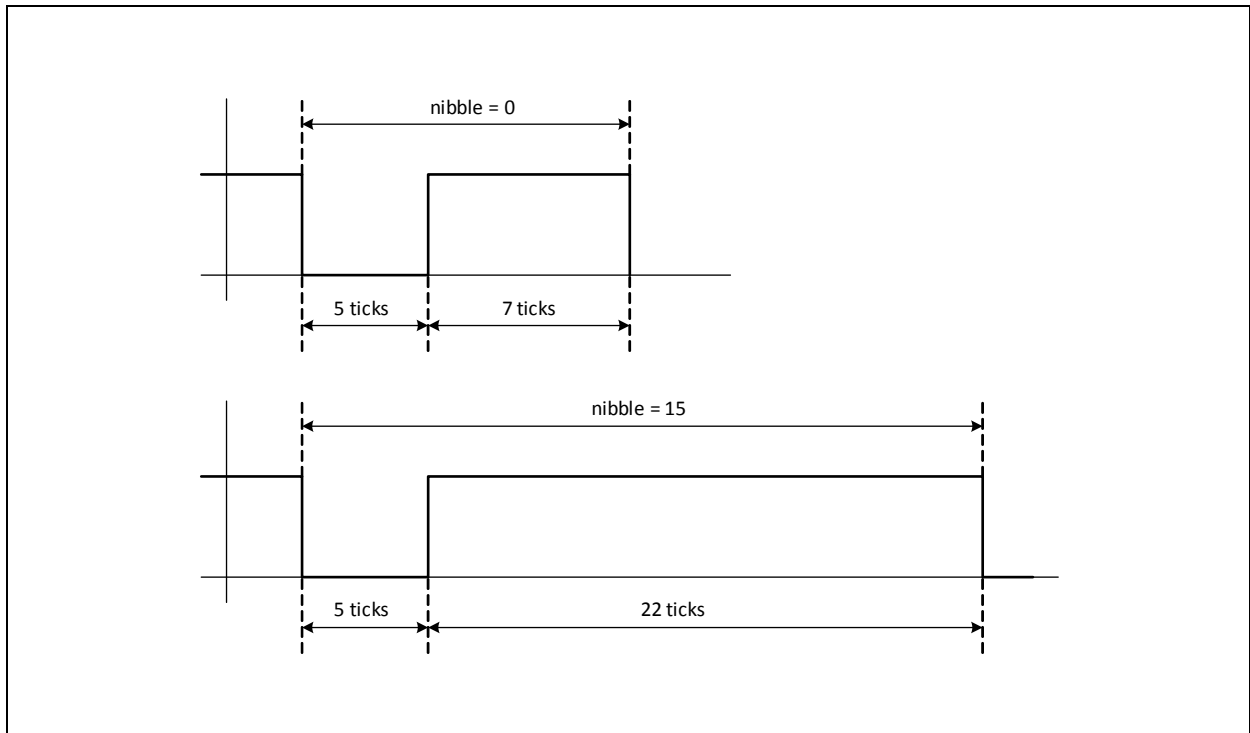
SENTTK	SENT Tick Period (μs)
10010	11.25
10011	11.5
10100	11.75
10101	12
10110	12.25
10111	12.5
11000	2.25
11001	2.5
11010	2.75
11011	3
11100	3.25
11101	3.5
11110	3.5
11111	3.5

The nibble protocol consists of:

- 5 clock ticks low
- 7 clock ticks + n clock ticks high

Where n is the decimal representation of the 4 bit data. If the nibble data is zero (data = 0x00, n = 0) the nibble duration is 12 ticks, while if the nibble data is 15 (data = 0xFF, n = 15) its duration is 27 ticks.

Figure 34:
PWM Clock Period and Frequency



The SENT protocol consists of a 56-tick synchronization pulse followed by 8 nibbles. Each nibble is described in the below figure.

Figure 35:
Nibble Description

Nibble	Description
1	Status and communication
2	Angle data most significant nibble
3	Angle data middle significant nibble
4	Angle data least significant nibble
5	Rolling counter most significant nibble
6	Rolling counter least significant nibble
7	Inverted nibble #2
8	CRC checksum

The Status and Communication nibble includes diagnostic status and the Short Serial Message Format, as defined in the SAE J2716 protocol.

Figure 36:
Status and Communication Nibble

Bit	Description
0	Error bit: 0 = no sensor error, 1 = sensor error
1	0 (always)
2	Short Serial Message
3	Message Start

The Short Serial Message is transmitted one bit per SENT frame in bit 2 of consecutive frames and consists of 16 bits. The starting bit of a Short Serial Message is indicated by a 1 in bit 3 (Message Start) of the Status and Communication Nibble.

Figure 37:
Serial Message

SENT Message Number	1	2	3	4	5	6	7	8	9	10	11	12	13	14	15	16
Message Start	1	0	0	0	0	0	0	0	0	0	0	0	0	0	0	0
Short Serial Message[2]	SENTMID				MAG								CRC			

The Short Serial Message consists of a message ID ([SENTMID](#)) and the magnitude of the magnetic field ([MAG](#)). The Short Serial Message is protected by a 4-bit CRC.

The [SENTESM](#) bit enables the Short Serial Message, which is otherwise by default disabled.

The angular information is contained in nibbles 2, 3 and 4. Nibbles 5 and 6 contain a rolling counter which counts the number of sent telegrams and rolls over to 0 after reaching the maximum value of 255. The rolling counter can be disabled, which is not needed in the Single Sensor mode, with the [SENTRC](#) bit. Because the tick clock period is 3 μ s, the minimum duration of a SENT telegram is 456 μ s, while the maximum duration is 816 μ s. the [SENTPP](#) bit enables the Pause Pulse, which creates a SENT transmission with a constant duration of 272 ticks.

Diagnostic and Functional Safety

AS5171 can be used in safety critical applications. For this reason, AS5171 is developed as SEooC (Safety element out of context) according the ISO26262, which assumed safety goals and assumed ASIL level.

The assumption of use (AoU) and the robust embedded self-diagnostic, to achieve a high ASIL level in the application, are described in the AS5171 safety manual.

For additional information regarding the ISO26262 flow at **ams** and the SEooC relevant documents (e.g. FMEDA, safety manual,) please contact the **ams** technical support for magnetic position sensors.

Figure 38:
Diagnostic Table

SM	Safety Mechanism	Recoverable	Safe State
SM1	Watchdog failure	No, if a watchdog error is detected, the sensor provides the error information till a sensor reset happens	Output is going into HIZ --> failure band (depending on output resistor)
SM2	Offset compensation not complete	Yes, if the offset is below the specified threshold, sensor recovers the output	Output is forced in failure band. Depending on FBS setting
SM3	CORDIC overflow	Yes, if the magnetic input field is below the specified threshold, sensor recovers the output	Output is forced in failure band. Depending on FBS setting
SM4	Magnetic input field too high/too low	Yes, if the magnetic field is inside the specific range, after the recovery time the sensor leave the failure	Output is forced in failure band. Depending on FBS setting
SM5	Vreg undervoltage	Yes	Hi-z: Failure band related to the out load
SM6	Reverse polarity	Yes, if reverse polarity issue is solved. No direct safety mechanism, it's a protection!	Hi-z: Failure band related to the out load
SM7	VDD overvoltage	Yes, if the VDD is below the specified threshold.	Hi-z: Failure band related to the out load
SM8	VDD undervoltage	Yes, if the VDD is above the specified threshold	Hi-z: Failure band related to the out load
SM9	Broken VDD	Yes	Hi-z: Failure band related to the out load
SM10	ADC check	No, sensor stays in failure band till the Sensor is resetting.	Hi-z: Failure band related to the out load
SM11	Analog read fail	Yes	Hi-z: Failure band related to the out load
SM12	Short circuit	Yes	Hi-z: Failure band related to the out load

SM	Safety Mechanism	Recoverable	Safe State
SM13	Signature	No, sensor stays in failure band till the sensor is resetting	Hi-z: Failure band related to the out load
SM14	Broken GND	Yes	Hi-z: Failure band related to the out load

The **FBS** setting allows selecting the failure band (lower or upper) when the output goes into diagnostic mode.

Diagnostic Explanations

For a detailed explanation of the diagnostic and the SPFM please contact the **ams** application team for magnetic position sensor.

Analog Read Fail (SM11)

This safety mechanism operates differently for AS5171A (analog) and AS5171B (digital):

- For AS5171B readout failure: After a falling edge there must be a rising edge after a defined time. In case this is not respected output driver is kept in high impedance. After a certain time this condition is checked again.

The readout mechanism for AS5171B is defined by **PWMRTH** and **PWMFTH**, which set the maximum timeout period to wait for a falling/rising before triggering an error condition, according to the figures below.

Figure 39:
PWMRTH Conditions

PWMRTH		Delay (µs)
0	0	PWM Read Back rise disabled
0	1	24-28
1	0	56-60
1	1	112-120

Figure 40:
PWMFTH Conditions

PWMFTH		Delay (µs)
0	0	PWM Read Back fall disabled
0	1	24-28
1	0	56-60
1	1	112-120

- For AS5171A readout failure: Comparison of the analog output information versus the digital information of the sensor. If the difference is too high output driver is kept in high impedance. After a certain time this condition is checked again.

The readout mechanism for AS5171A is defined by [RDBCKDEB](#), which set the maximum timeout period to wait before triggering an error condition, according to the tables below.

Figure 41:
AS5171A Readout Mechanisms

RDBCKDEB02	RDBCKDEB01	RDBCKDEB00	CORDIC Cycles ⁽¹⁾	Note
0	0	0	0	Analog Read Back disabled
0	0	1	1	
0	1	0	2	
0	1	1	4	
1	0	0	8	
1	0	1	16	
1	1	0	32	
1	1	1	64	

Note(s):

1. 1 CORDIC cycle typ.:111µs

Application Information

Signature Calculation

The OTP of AS5171A and AS5171B uses a BIST technique with Multiple Input Signature Register circuits.

To activate this BIST a calculation of the Signature Byte is necessary and has to store into the OTP during the programming sequence.

For calculating the signature byte the content of the whole memory (0x02 to 0x1D) has to be read.

Out of this information the following calculation has to be done.

Byte: 0x02 = data2

....

Byte: 0x1D = data29

```
Unsigned int signature (unsigned int * content)
{
```

```
    unsigned int misr,misr_shift,misr_xor,misr_msb;
```

```
    misr = 0;
```

```
    for (int i=0; i<28; i++) {
```

```
        misr_shift = (misr<<1);
```

```
        misr_xor = (misr_shift ^ content[i])%256;
```

```
        misr_msb = misr/(128);
```

```
        if (misr_msb == 0)
```

```
            misr = misr_xor;
```

```
        else
```

```
            misr = (misr_xor ^ 29)%256;
```

```
    }
```

```
    return misr;
```

```
}
```

```
content= {,data2,data3,data4,data5,data6,
          data7,data8,data9,data10,data11,
          data12,data13,data14,data15,data16,
          data17,data18,data19,data20,data21,data22,
          data23,data24,data25,data26,data27,data28,data29};
```

Programming Parameter

The programming has to be performed in communication mode. If the `cust_lock=0`, the sensor starts in communication mode.

The following procedure and the block diagram are showing the common 2 point calibration. For special calibration procedure:

AS5171A: Analog output driver calibration

AS5171A/AS5171B: Linearization.

Please go in contact with the **ams** application team.

Burn and Verification of the OTP Memory

1. Power on cycle
2. Move magnet to the first mechanical start position
3. Reset the DSP. Writing 0x20 into Reg(0x0023)
4. Read out the measured angle from ANGLECORDIC register: T1 Value
5. Moving of magnet to the second mechanical position (stop position)
6. Read out the measured angle from ANGLECORDIC register: T2 Value
7. Write T1,T2 and all other transfer parameter into the DLL: Calculation of GAIN, Offset, BP, Clamping
8. Write reg(0x000A) to reg (0x001E) with the custom settings and the calculated values from point 7. --> AS5171 Settings
9. Read reg(0x000A) to reg (0x001E) ---> Read register step 1
10. Comparison of AS5171 settings with content of read register step 1
11. If point 10 is correct: Decision: pass 2 function (measurement verification) or programming. Programming sequence starts with point 12.
12. Write reg(0x000A) to reg (0x001E) with the custom settings and the calculated values from point 7 + customer lock Bit. --> AS5171 Settings_Prog
13. Read reg(0x0000) to reg (0x001D) ---> Read register step 2
14. Calculation of Signature Byte out of Read register step 2 content: Signature Byte
15. Write 8Bit Signature to reg(0x001E)
16. Write reg(0x000A) to reg (0x001E) with the custom settings and the calculated values from point 7 + customer lock Bit + Signature byte. --> AS5171 Settings_Prog_final

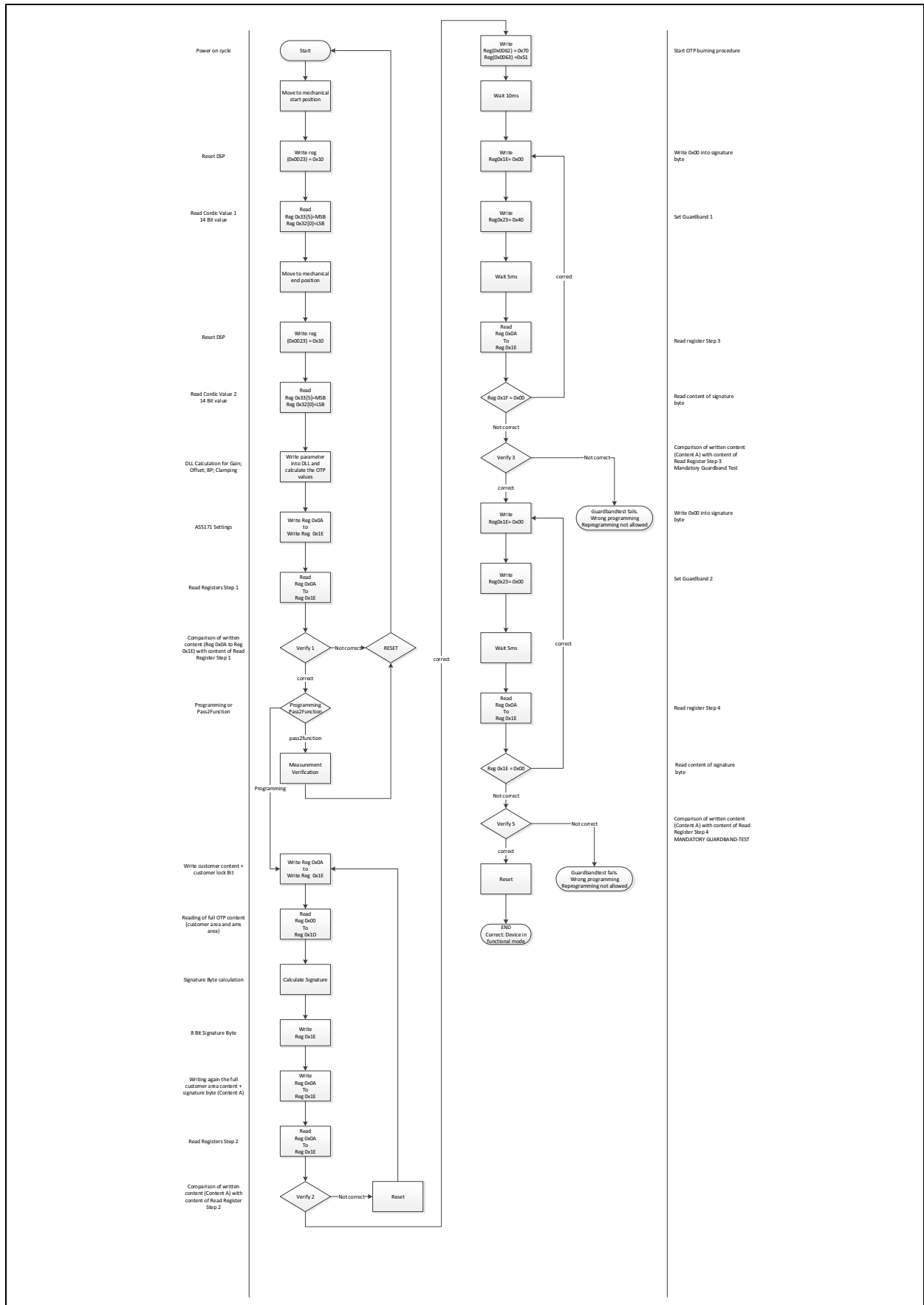
17. Read reg(0x000A) to reg (0x001E) ---> Read register step 3
18. Comparison of AS5171 Settings_Prog_final with content of read register step 3
19. If point 18 is correct, start the OTP burn procedure by writing: Reg(0x0062)=0x70 and Reg(0x0063)=0x51
20. Programming procedure is complete after 10ms
21. Clear the memory content writing 0x00 into reg (0x001E)
22. Write Reg0x23=0x40 to set the threshold for the guard band test (1)
23. 5ms wait time to refresh the non-volatile memory content with the OTP content
24. Read reg(0x000A) to reg (0x001E) ---> Read register step 4
25. If content from reg (0x001E) compares with content from "Signature Byte" refresh was successful
26. Comparison of AS5171 Settings_Prog_final with content of read register step 4. Mandatory: guard band test (1).
27. If point 26 fails, the test with the guard band (1) was not successful and the device is incorrectly programmed. A reprogramming is not allowed.
28. Clear the memory content writing 0x00 into reg (0x001E)
29. Write Reg0x23=0x00to set the threshold for the guard band test (1)
30. 5ms wait time to refresh the non-volatile memory content with the OTP content
31. Read reg(0x000A) to reg (0x001E) ---> Read register step 5
32. If content from reg (0x001E) compares with content from "Signature Byte" refresh was successful
33. Comparison of AS5171 Settings_Prog_final with content of read register step 5. Mandatory: guard band test (1)
34. If point 33 fails, the test with the guard band (1) was not successful and the device is incorrectly programmed. A reprogramming is not allowed.
35. Reset of the device. After power on the Sensor starts in functional mode

Note(s):

1. Guard band test:
 Restricted to temperature range: 25 °C ± 20 °C
 Right after the programming procedure (max. 1 hour with same
 Conditions 25°C ± 20 °C)
 Same VDD voltage

The guard band test is only for the verification of the burned OTP fuses during the programming sequence.
A use of the guard band in other cases is not allowed.

Figure 42:
OTP Memory Burn and Verification Flowchart



Recommended Application Diagrams and Built-In Capacitors

Figure 43:
Application with Pull-Down Load Resistor

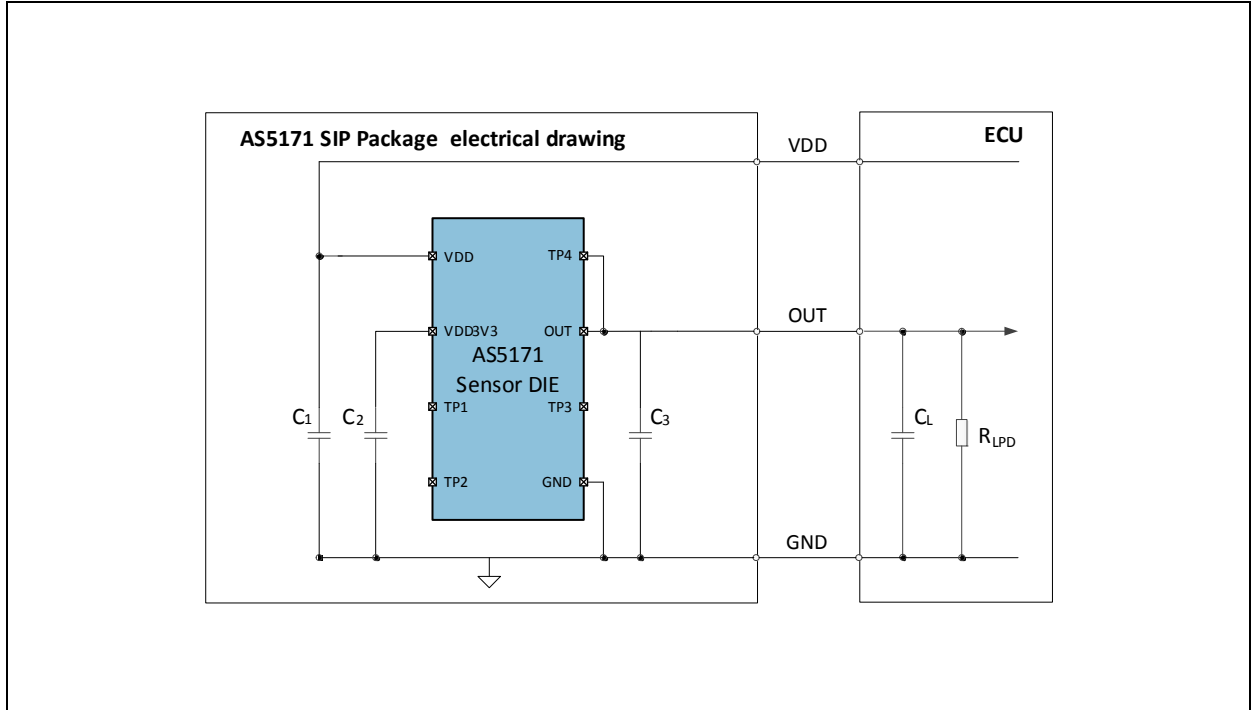


Figure 44:
Application with Pull-Up Load Resistor

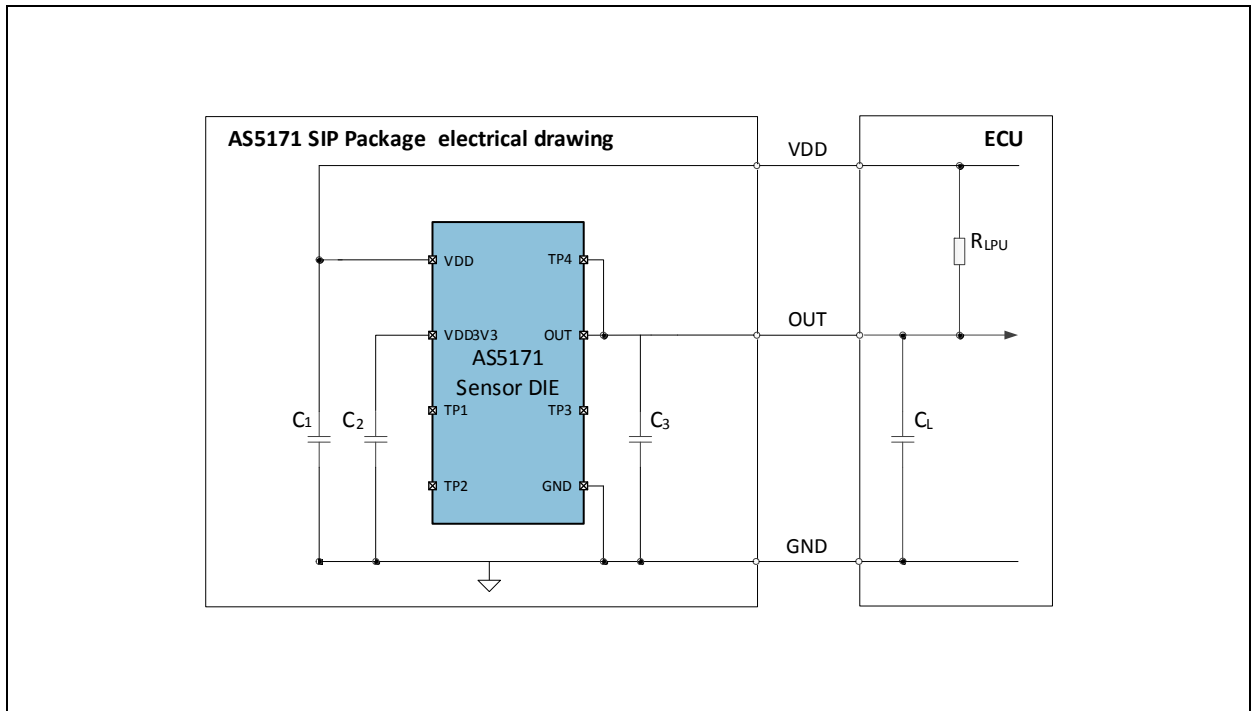
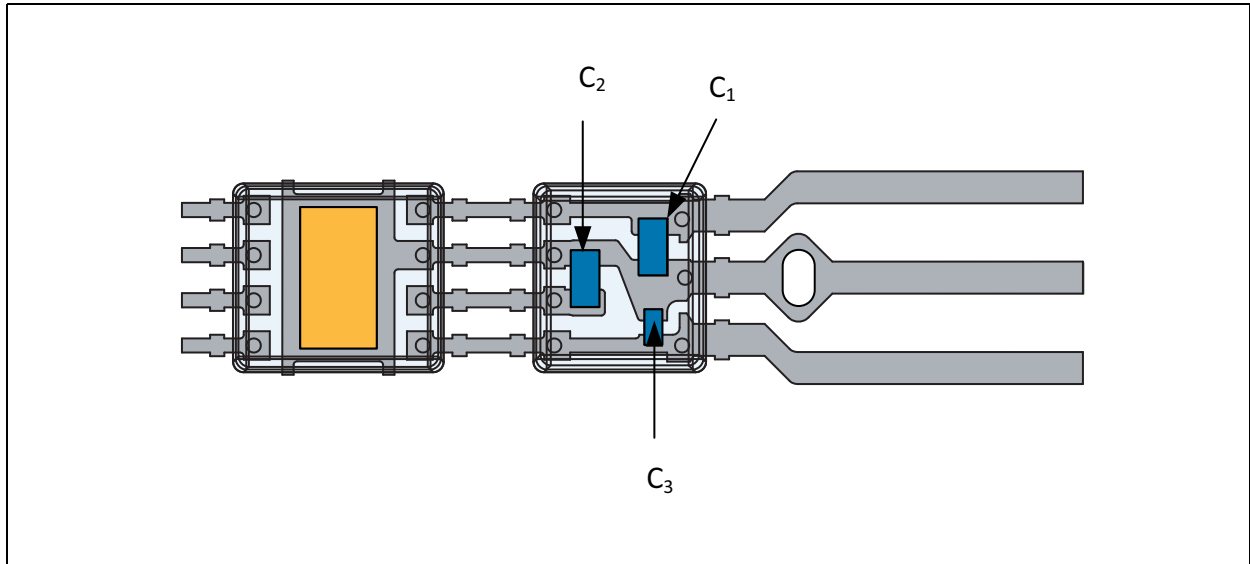


Figure 43 and Figure 44 show the recommended schematic in the application. C1, C2 and C3 are Built-in capacitors in the SIP Package as shown in Figure 49.

Figure 45:
SIP Components



The built-in capacitors are ceramic multilayer type X8R. The capacitors build for high temperature applications up to 150°C

Components Spec

Figure 46:
SIP Components and Recommended ECU Components for AS5171A

Component	Symbol	Min	Typ	Max	Unit	Notes
SIP Component						
VDD buffer capacitor	C ₁	90	100	110	nF	Included in the SIP
VDD3V3 regulator capacitor	C ₂	90	100	110	nF	Included in the SIP
OUT load capacitor (sensor PCB)	C ₃	4,23	4.7	5,17	nF	Included in the SIP
ECU Component						
OUT load capacitor (ECU)	C _L	0		33	nF	
OUT pull-up resistance	R _{LPU}	4		10	kΩ	
OUT pull-down resistance	R _{LPD}	4		10	kΩ	

Figure 47:
SIP Components and Recommended ECU Components for AS5171 B With PWM

Component	Symbol	Min	Typ	Max	Unit	Notes
SIP Component						
VDD buffer capacitor	C_1	90	100	110	nF	Included in the SIP
VDD3V3 regulator capacitor	C_2	90	100	110	nF	Included in the SIP
OUT load capacitor (sensor PCB)	C_3	4,23	4.7	5,17	nF	Included in the SIP
ECU Component						
OUT load capacitor (ECU)	C_L	0		33	nF	
OUT pull-up resistance	R_{LPU}	1		10	k Ω	
OUT pull-down resistance	R_{LPD}	1		10	k Ω	

Information Regarding Manufacturability of AS5171A and AS5171B

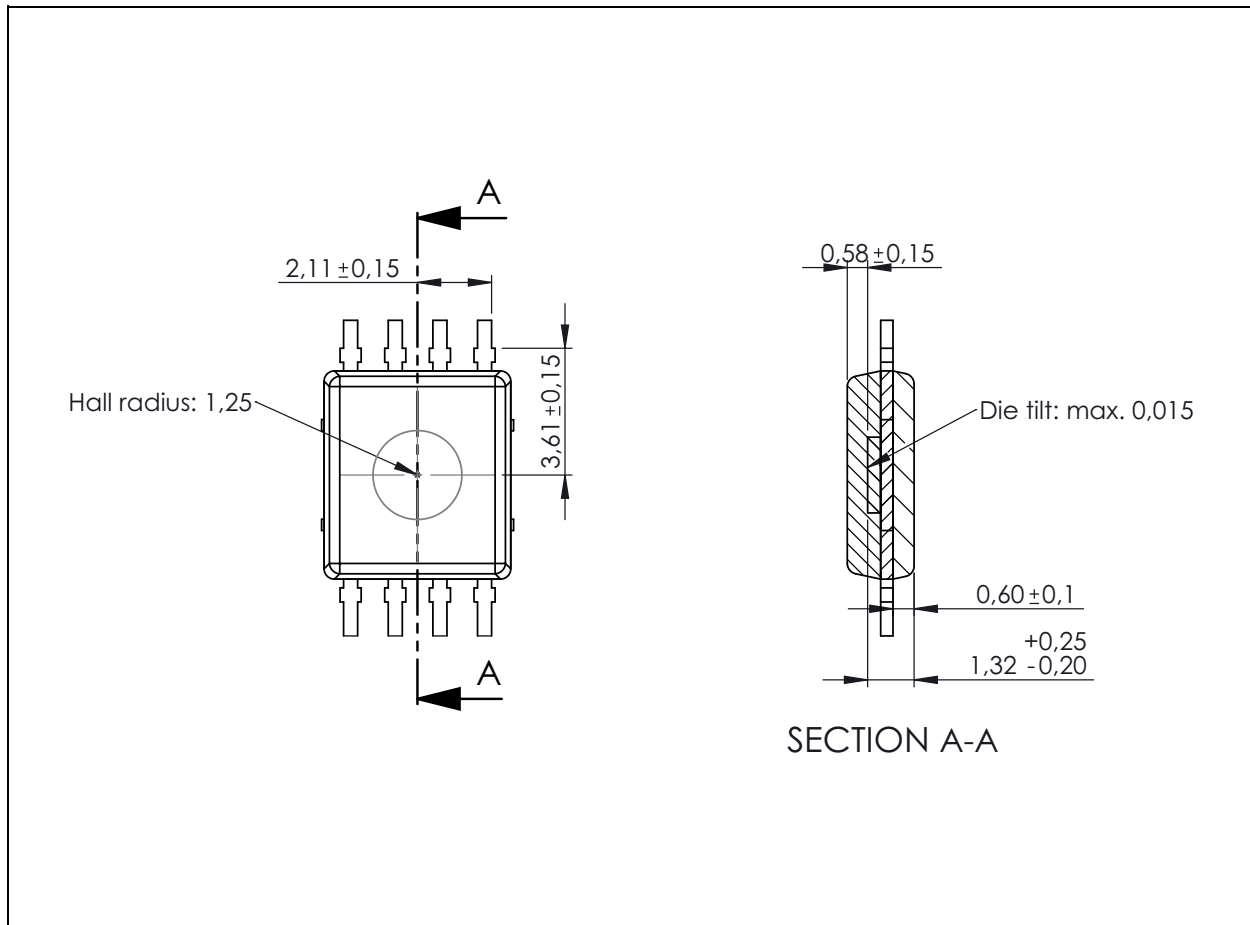
For the SIP Package which is used for AS5171A and AS5171B, please refer to the following document (available upon request):

Application Note SIP Dual Mold Package

Mechanical Data

The internal Hall elements are placed in the center of the header package on a circle with a radius of 1.25mm.

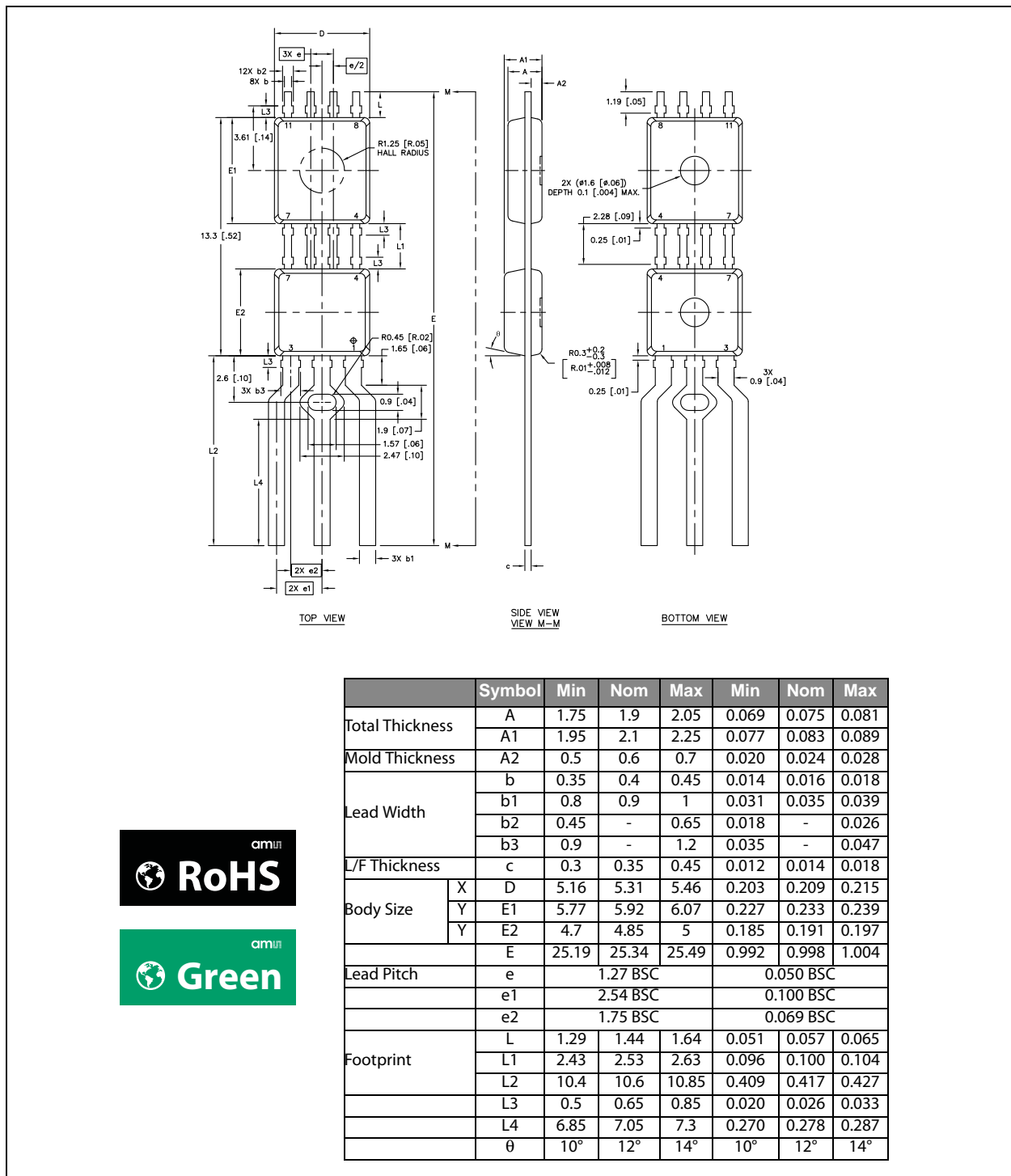
Figure 48:
Hall Element Positions in the Header of SIP Package

**Note(s):**

1. All dimensions in mm.
2. Tolerances shown represent expected values and are to be verified. Tolerances will be guaranteed prior to product release.

Package Drawings & Markings

Figure 49:
Packaging Outline Drawing (SIP)



Note(s):

1. Dimension D does not include mold flash, protrusions or gate burrs. Mold flash, protrusions or gate burrs shall not exceed 0.3mm (0.012in) per side.
2. Dimension b and b1 does not include dam bar protrusion and matte tin plating. Allowable dam bar protrusion shall be 0.3mm (0.012in) total in excess of the b, b1, b2 and b3 dimension at maximum material condition.
3. Dimension E1 and E2 does not include interlead flash or protrusion. Interlead flash or protrusion shall not exceed 0.3mm (0.012in) per side.

4. Dimension tolerance: $\pm 0.15\text{mm}$ unless otherwise specified.

Marking

Figure 50:
PCB Guidelines

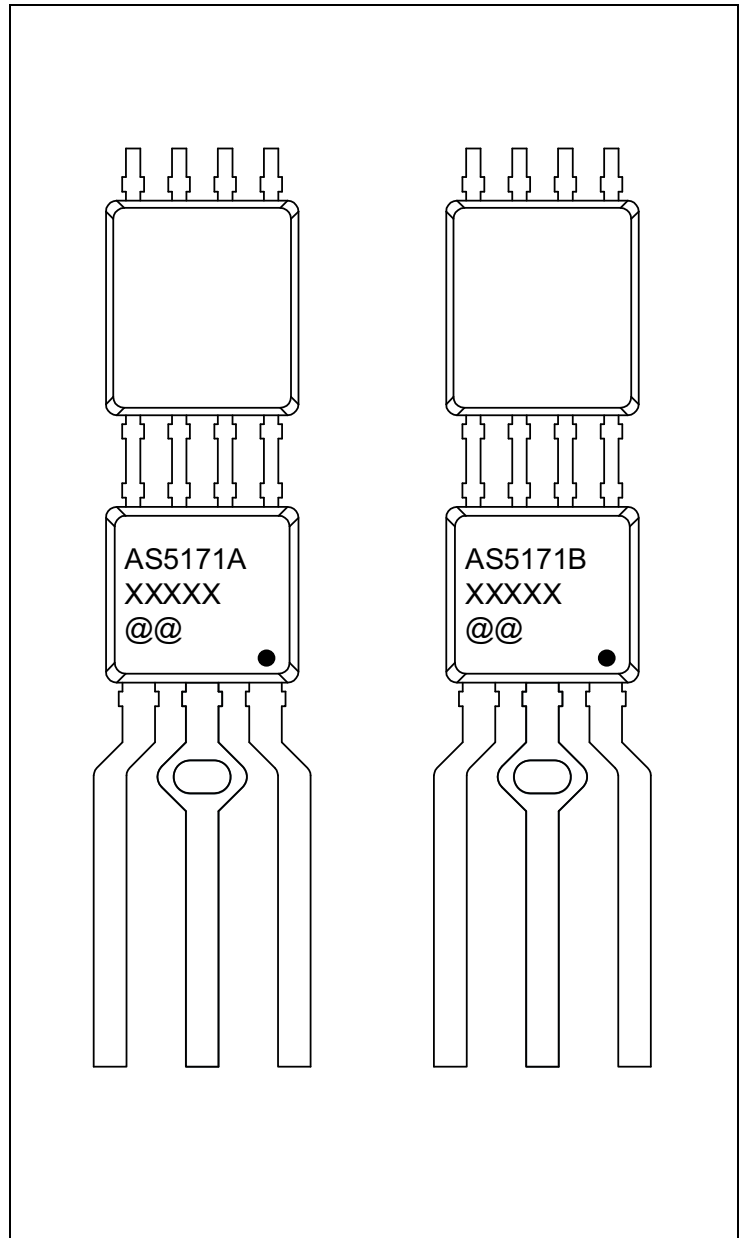


Figure 51:
Package Marking

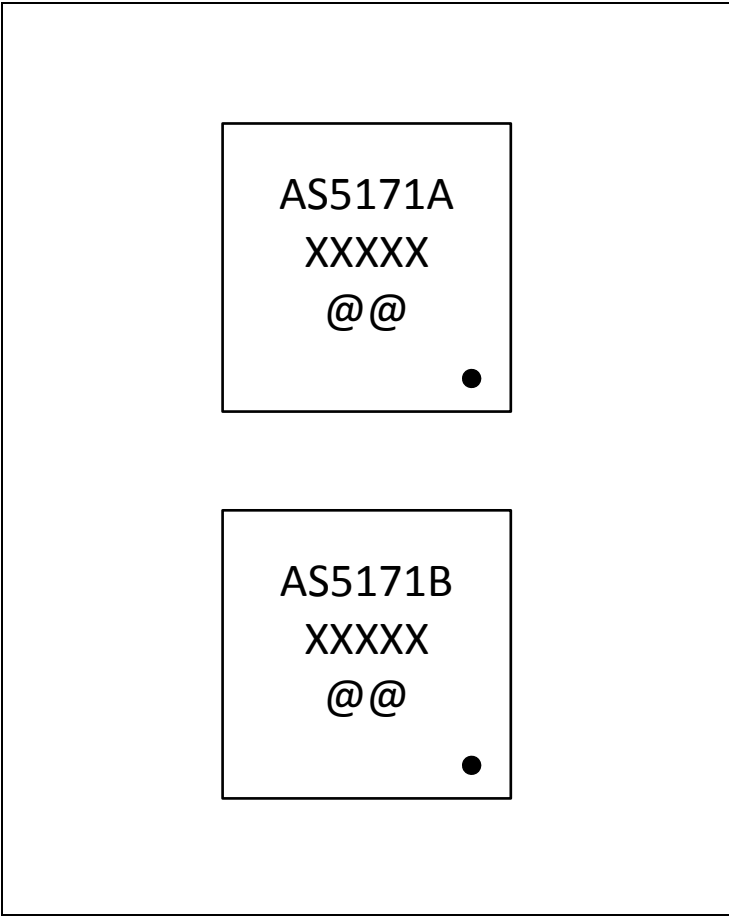


Figure 52:
Packaging Code

XXXXX	@@
TC_5 Tracecode	Sublot Identifier

Ordering & Contact Information

Figure 53:
Ordering Information

Ordering Code	Package	Marking	Delivery Form	Delivery Quantity
AS5171A-HSIT	SIP	AS5171A	13" Tape & Reel in dry pack	2000 pcs/reel
AS5171B-HSIT	SIP	AS5171B	13" Tape & Reel in dry pack	2000 pcs/reel

Buy our products or get free samples online at:

www.ams.com/ICdirect

Technical Support is available at:

www.ams.com/Technical-Support

Provide feedback about this document at:

www.ams.com/Document-Feedback

For further information and requests, e-mail us at:

ams_sales@ams.com

For sales offices, distributors and representatives, please visit:

www.ams.com/contact

Headquarters

ams AG

Tobelbader Strasse 30

8141 Premstaetten

Austria, Europe

Tel: +43 (0) 3136 500 0

Website: www.ams.com

RoHS Compliant & ams Green Statement

RoHS: The term RoHS compliant means that ams AG products fully comply with current RoHS directives. Our semiconductor products do not contain any chemicals for all 6 substance categories, including the requirement that lead not exceed 0.1% by weight in homogeneous materials. Where designed to be soldered at high temperatures, RoHS compliant products are suitable for use in specified lead-free processes.

ams Green (RoHS compliant and no Sb/Br): ams Green defines that in addition to RoHS compliance, our products are free of Bromine (Br) and Antimony (Sb) based flame retardants (Br or Sb do not exceed 0.1% by weight in homogeneous material).

Important Information: The information provided in this statement represents ams AG knowledge and belief as of the date that it is provided. ams AG bases its knowledge and belief on information provided by third parties, and makes no representation or warranty as to the accuracy of such information. Efforts are underway to better integrate information from third parties. ams AG has taken and continues to take reasonable steps to provide representative and accurate information but may not have conducted destructive testing or chemical analysis on incoming materials and chemicals. ams AG and ams AG suppliers consider certain information to be proprietary, and thus CAS numbers and other limited information may not be available for release.

Copyrights & Disclaimer

Copyright ams AG, Tobelbader Strasse 30, 8141 Premstaetten, Austria-Europe. Trademarks Registered. All rights reserved. The material herein may not be reproduced, adapted, merged, translated, stored, or used without the prior written consent of the copyright owner.

Devices sold by ams AG are covered by the warranty and patent indemnification provisions appearing in its General Terms of Trade. ams AG makes no warranty, express, statutory, implied, or by description regarding the information set forth herein. ams AG reserves the right to change specifications and prices at any time and without notice. Therefore, prior to designing this product into a system, it is necessary to check with ams AG for current information. This product is intended for use in commercial applications. Applications requiring extended temperature range, unusual environmental requirements, or high reliability applications, such as military, medical life-support or life-sustaining equipment are specifically not recommended without additional processing by ams AG for each application. This product is provided by ams AG "AS IS" and any express or implied warranties, including, but not limited to the implied warranties of merchantability and fitness for a particular purpose are disclaimed.

ams AG shall not be liable to recipient or any third party for any damages, including but not limited to personal injury, property damage, loss of profits, loss of use, interruption of business or indirect, special, incidental or consequential damages, of any kind, in connection with or arising out of the furnishing, performance or use of the technical data herein. No obligation or liability to recipient or any third party shall arise or flow out of ams AG rendering of technical or other services.

Document Status

Document Status	Product Status	Definition
Product Preview	Pre-Development	Information in this datasheet is based on product ideas in the planning phase of development. All specifications are design goals without any warranty and are subject to change without notice
Preliminary Datasheet	Pre-Production	Information in this datasheet is based on products in the design, validation or qualification phase of development. The performance and parameters shown in this document are preliminary without any warranty and are subject to change without notice
Datasheet	Production	Information in this datasheet is based on products in ramp-up to full production or full production which conform to specifications in accordance with the terms of ams AG standard warranty as given in the General Terms of Trade
Datasheet (discontinued)	Discontinued	Information in this datasheet is based on products which conform to specifications in accordance with the terms of ams AG standard warranty as given in the General Terms of Trade, but these products have been superseded and should not be used for new designs

Revision Information

Changes from 1-05 (2017-Mar-22) to current revision 1-06 (2017-Oct-13)	Page
Updated text under General Description	1
Updated Figure 4	3
Added Figure 14	11
Updated text under Detailed Description	12
Updated Figure 16	13
Added SENT Output	24

Note(s):

1. Page and figure numbers for the previous version may differ from page and figure numbers in the current revision.
2. Correction of typographical errors is not explicitly mentioned.

Content Guide

1	General Description
2	Key Benefits and Features
2	Applications
3	Block Diagram
4	Pin Assignments
5	Absolute Maximum Ratings
6	System Electrical and Timing Characteristics
12	Detailed Description
13	Register Description
16	UART Interface
17	Exiting Communication Mode
17	Programming OTP Registers
18	Customer ID
18	Output Linear Transfer Function
21	Multiple Quadrants
23	Extended Magnetic Input Range
23	Analog Output (AS5171A)
23	PWM Output (AS5171B)
24	SENT Output
28	Diagnostic and Functional Safety
29	Diagnostic Explanations
29	Analog Read Fail (SM11)
31	Application Information
31	Signature Calculation
32	Programming Parameter
32	Burn and Verification of the OTP Memory
36	Recommended Application Diagrams and Built-In Capacitors
37	Components Spec
38	Information Regarding Manufacturability of AS5171A and AS5171B
39	Mechanical Data
40	Package Drawings & Markings
41	Marking
43	Ordering & Contact Information
44	RoHS Compliant & ams Green Statement
45	Copyrights & Disclaimer
46	Document Status
47	Revision Information