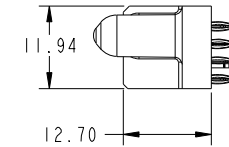
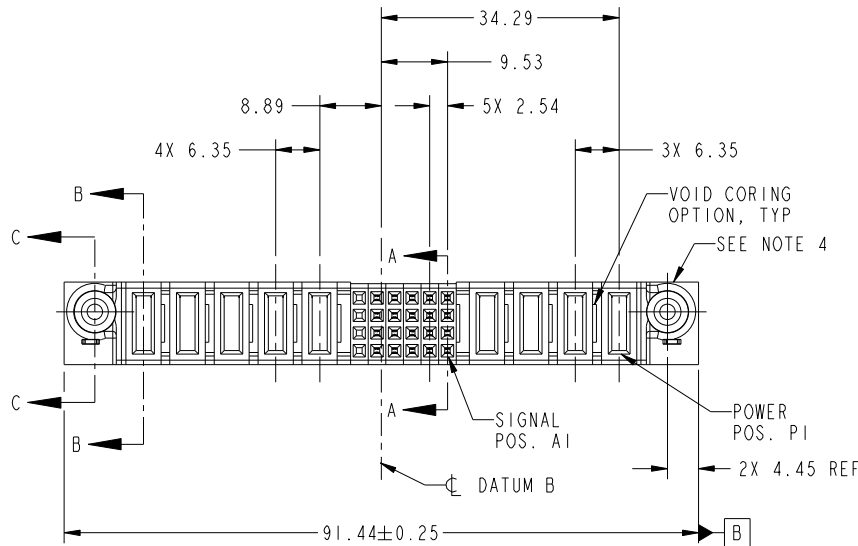


Tous droits strictement reserves. Reproduction ou communication a des tiers interdite sous quelque forme que ce soit sans autorisation écrite du propriétaire. Propriete de c FCI. Droits de reproduction FCI.



All rights strictly reserved. Reproduction or issue to third parties in any form whatever is not permitted without written authority from the proprietor. Property of FCI. Copyright FCI.

PRODUCT NO.	ROWS	POWER					SIGNAL					POWER							
		E2	P9	P8	P7	P6	P5	6	5	4	3	2	1	P4	P3	P2	P1	E1	
51940-241-- NOTE: 3	D C B A		PC	PC	PC	PC	PC	X	F	F	F	F	F	F	PC	PC	PC	PC	



CODE	DIM "M" MATING LENGTH	CONTACT TYPE
PC	[1.07]	POWER
F	[N/A]	SIGNAL
HA	[N/A]	HOLD-DOWN
X	OMITTED	

mat'l code				SEE NOTES 2		tolerances unless otherwise specified		CUSTOMER		FCI	
ltr	ecn no.	dr	date	linear	0.X ±0.3	projection		COPY		www.fciconnect.com	
A	DG08-0016	SH	01/11/08	angles	0.XX ±0.13			title		4P + 24S + 5P	
					0.XXX ±0.051			VERTICAL PRESS FIT RECEPT		product family PwrBlade code 213	
				dr	0° ±2°	scale		size		dwg no 51940-241 sheet 1 of 4	
				enr	Sincere He 11/07/07	1:1		A		cage code 22526	
				chr	Sincere He 11/07/07						
				appd	Gary Hsieh 11/07/07						
					Joseph Hsia 11/07/07						
sheet index	revision sheet	A 1	A 2	A 3	A 4						

Pro/E

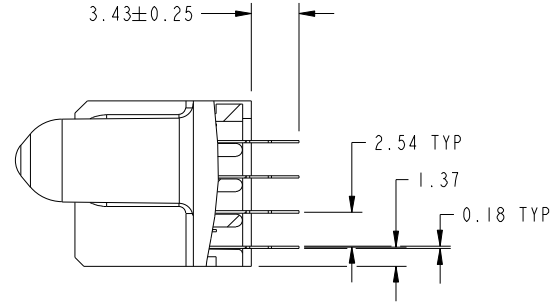
cage code 22526

Tous droits strictement reserves. Reproduction ou communication a des tiers interdite sous quelque forme que ce soit sans autorisation écrite du propriétaire. Propriete de c FCI. Droits de reproduction FCI.

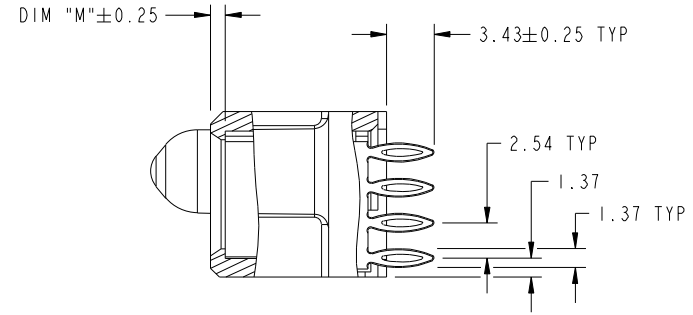


All rights strictly reserved. Reproduction or issue to third parties in any form whatever is not permitted without written authority from the proprietor. Property of FCI. Copyright FCI.

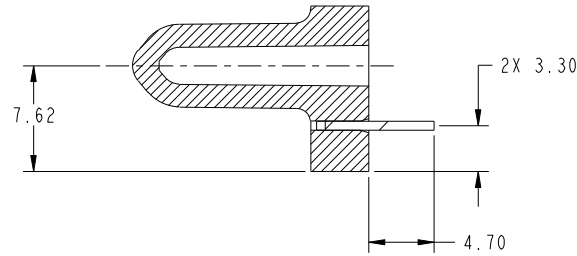
PRODUCT NUMBER
51940-241--
NOTE: 3



SECTION A-A
SCALE 2:1



SECTION B-B
SCALE 2:1



SECTION C-C
SCALE 2:1

mat'l code				SEE NOTE 2	tolerances unless otherwise specified		CUSTOMER		 www.fciconnect.com	
ltr	ecn no.	dr	date	linear	0.X ± 0.3	COPY		title		
A					0.XX ± 0.13	projection		4P + 24S + 5P		
				angles	0.XXX ± 0.051			VERTICAL PRESS FIT RECEIPT		
				dr	Sincere He 11/07/07			product family		code
				enr	Sincere He 11/07/07	scale		PwrBlade		213
				chr	Gary Hsieh 11/07/07	1:1		size		sheet
				appd	Joseph Hsia 11/07/07			A		2 of 4
sheet index		revision sheet						51940-241		

cage code 22526

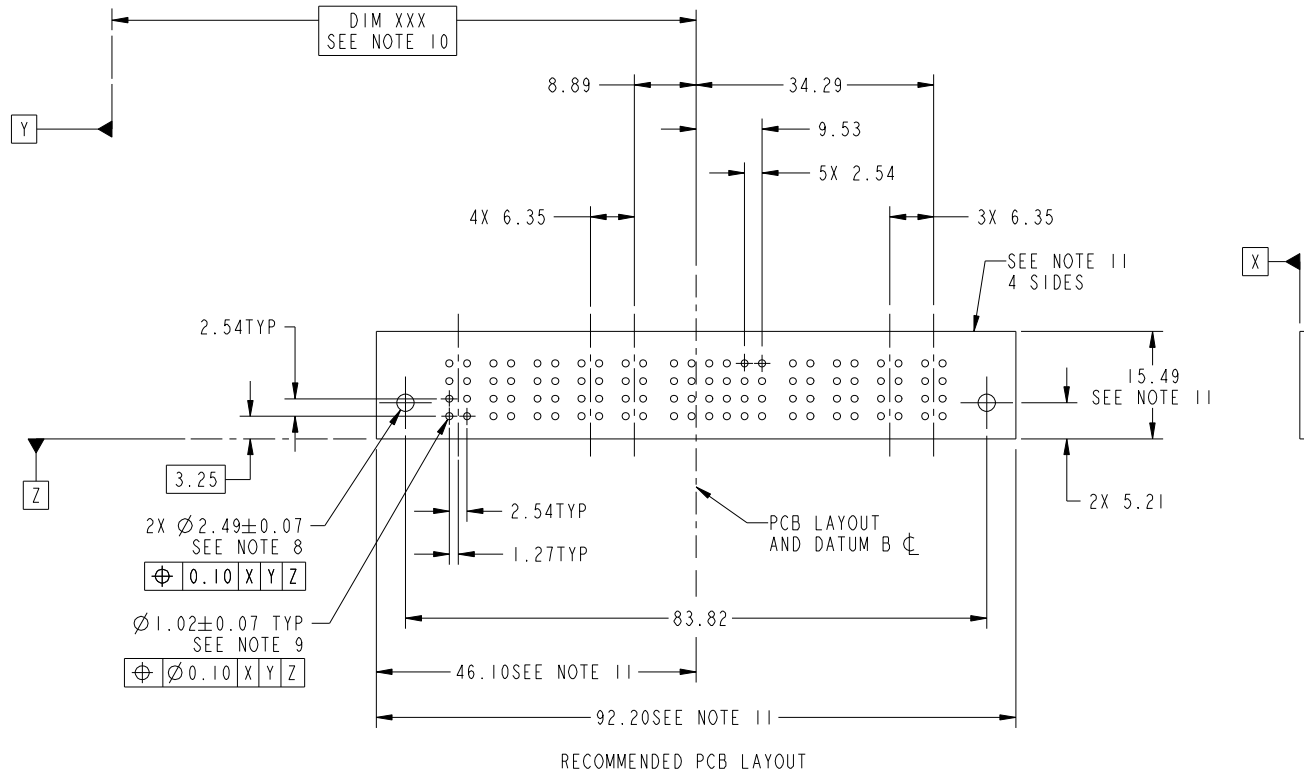
Pro/E

Tous droits strictement reserves. Reproduction ou communication a des tiers interdite sous quelque forme que ce soit sans autorisation écrite du propriétaire. Propriete de c FCI. Droits de reproduction FCI.



All rights strictly reserved. Reproduction or issue to third parties in any form whatever is not permitted without written authority from the proprietor. Property of FCI. Copyright FCI.

PRODUCT NUMBER
51940-241--
NOTE: 3



mat'l code		SEE NOTE 2		tolerances unless otherwise specified		CUSTOMER		FCI	
ltr	ecn no.	dr	date	linear	0.X ± 0.3	COPY		www.fciconnect.com	
A					0.XX ± 0.13	projection		title	
				angles	0.XXX ± 0.051			4P + 24S + 5P	
				dr	0° ± 2°			VERTICAL PRESS FIT RECEIPT	
				enr	Sincere He 11/07/07	product family		PwrBlade	
				chr	Sincere He 11/07/07	size		code	
				appd	Gary Hsieh 11/07/07	dwg no		213	
					Joseph Hsia 11/07/07	scale		sheet	
						1:1		3 of 4	
sheet index	revision sheet					A		51940-241	

cage code 22526

Pro/E

Tous droits strictement reserves. Reproduction ou communication a des tiers interdite sous quelque forme que ce soit sans autorisation écrite du propriétaire. Propriete de c FCI. Droits de reproduction FCI.

All rights strictly reserved. Reproduction or issue to third parties in any form whatever is not permitted without written authority from the proprietor. Property of FCI. Copyright FCI.

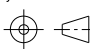
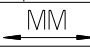
PRODUCT NUMBER
51940-241--
NOTE: 3

NOTES:

1. DIMENSIONS AND TOLERANCES ARE IN ACCORDANCE WITH ASME Y14.5M, 1994 UNLESS OTHERWISE SPECIFIED.

CONNECTOR NOTES:

- ② HOUSING MATERIAL: UL 94 V-0 GLASS FILLED
HIGH-TEMP THERMOPLASTIC
POWER CONTACT MATERIAL: COPPER ALLOY
SIGNAL PIN MATERIAL: COPPER ALLOY
 - 3. PLATING SPEC.
51940-241, 51940-241LF PLATING SPEC. WAS SHOWN IN THE PRINT OF 10064183.
 - ④ MANUFACTURER'S NAME, P/N, AND DATE CODE TO APPEAR ON THIS SURFACE.
 - 5. PRODUCT SPECIFICATION GS-12-149.
APPLICATION SPECIFICATION BUS-20-067.
 - 6. PACKAGED IN TRAYS.
- PCB NOTES:
- 7. ALL HOLE DIAMETERS ARE FINISHED HOLE SIZE.
 - ⑧ MOUNTING HOLES, WHERE APPLICABLE, ARE UNPLATED.
 - ⑨ $\varnothing 1.151 \pm 0.025$ DRILLED HOLES PLATED WITH
0.008 MIN SnPb OR Sn OVER 0.03
TO 0.08 Cu PLATING TO ACHIEVE
 $\varnothing 1.02 \pm .07$ HOLE.
 - ⑩ "DIM XXX" TO BE DETERMINED BY THE CUSTOMER.
 - ⑪ CONNECTOR KEEP-OUT ZONE.

mat'l code		SEE NOTE 2		tolerances unless otherwise specified		CUSTOMER		FCI		www.fciconnect.com	
ltr	ecn no.	dr	date	linear	0.X ± 0.3	COPY		 title 4P + 24S + 5P VERTICAL PRESS FIT RECEIPT			
A					0.XX ± 0.13	projection					
				angles	0.XXX ± 0.051	 MIM					
				dr	Sincere He 11/07/07	scale		product family	PwrBlade	code	213
				enr	Sincere He 11/07/07	1:1		size	dwg no	sheet	4 of 4
				chr	Gary Hsieh 11/07/07	A		51940-241			
				appd	Joseph Hsia 11/07/07						
sheet index	revision sheet										

cage code 22526

Pro/E