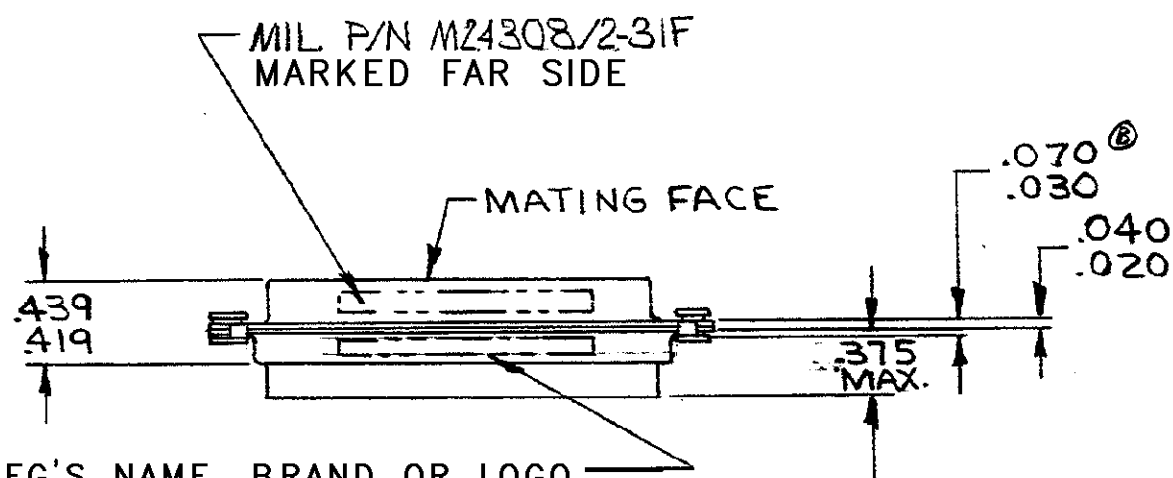
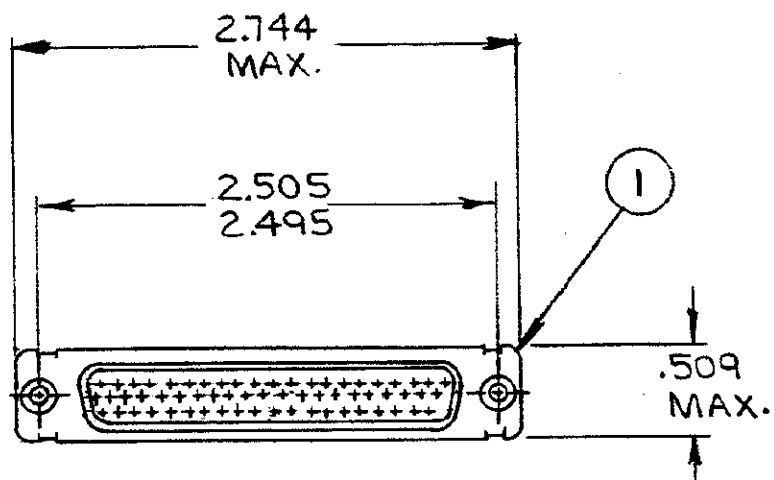


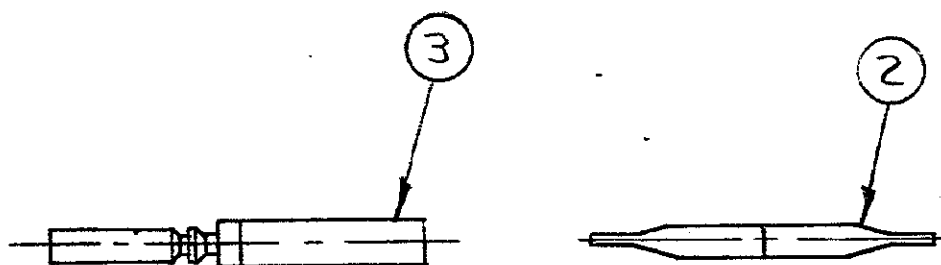
DRAWING MADE IN AMERICAN PROJECTION

AMP INCORPORATED. ALL RIGHTS RESERVED. AMP PATENTS AND/OR PATENTS PENDING.

⚠️ APPROPRIATE AMP P/N (KIT) IS MARKED ON PACKAGE



MFG'S NAME, BRAND OR LOGO
MFG'S PART NO AND DATE CODE
MARKED FAR SIDE



REVISIONS				
ZONE	LTR	DESCRIPTION	DATE	APPROVED
	A	REV. & REDRAWN, RELEASED WAS 5066-170 PER ECN A-962	12-29-70	Lm/ [Signature]
		NOTES ADDED, ECN B-011	2/4/71	[Signature]
	B	REV. PER ECN B-948	5/11/73	Lm/ [Signature]
	B ₁	REV. PER ECN E-342	5/19/71	Lm/ [Signature]
	C	REV. PER ECN G-047	2/8/74	[Signature]
	D	REV PER ECN DF-0021; DF-0160 & R2670	MR 1-13-88	EAM
	E	ECO-08-023688	PY 11-08	BW

SUPD BY 204542-2 & 91067-1

<input checked="" type="checkbox"/>	-	-	MILITARY P/N M24308/2-425 MARKED ON PACKAGE	
<input checked="" type="checkbox"/>	-	-	MILITARY P/N M24308/2-31F MARKED ON PACKAGE	
68	68	B	204351-1 CONTACT, SOCKET, SIZE 22D	3
1	-	B	91067-1 INSERTION & EXTRACTION TOOL	2
1	-	A	204530-1 RECEPTACLE ASS'Y. SIZE #4	1
3	2	1	DWG NUMBER	NAME
				ITEM NO.

UNLESS OTHERWISE SPECIFIED DIMENSIONS ARE IN INCHES
TOLERANCES ON:
DECIMALS ± #
ANGLES ± #

CONTRACT NO.
DR. L. Morningstar 12-29-70
CHK [Signature] 1-19-71
APPD [Signature] 1-19-71
REL [Signature] 1-19-71
DSGN APPD
OTHER APPD

AMP INCORPORATED
HARRISBURG, PENNSYLVANIA
NAME
AMP
KIT, "HDD" SERIES, RECEPTACLE, SIZE #4
SIZE B CODE IDENT NO. 00779 NUMBER 204542 REV E
SCALE #/ SHEET 1 OF 1

PRINT DIM 2/10
LOC DF
A
B
C
D