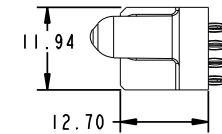
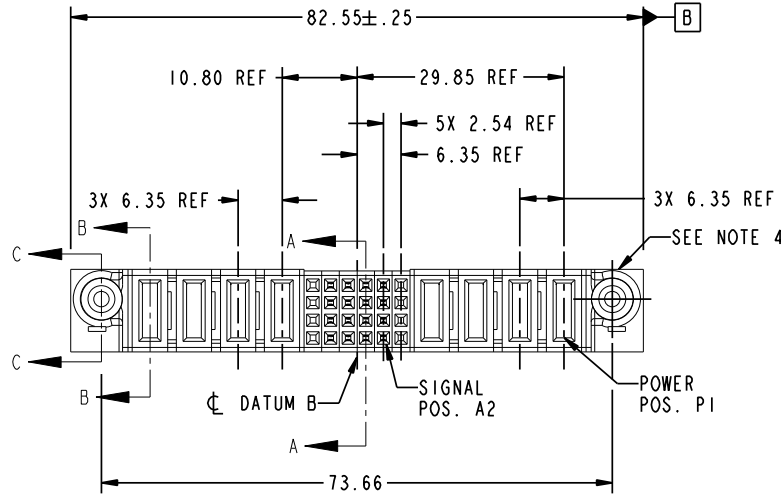


Tous droits strictement réservés. Reproduction ou communication a des tiers interdite sous quelque forme que ce soit sans autorisation écrite du propriétaire. Propriété de c FCI. Droits de reproduction FCI.



All rights strictly reserved. Reproduction or issue to third parties in any form whatever is not permitted without written authority from the proprietor. Property of FCI. Copyright FCI.

PRODUCT NO.	ROWS	POWER				SIGNAL					POWER				E1		
		E2	P8	P7	P6	P5	6	5	4	3	2	1	P4	P3		P2	P1
51750-078-- NOTE: 3	D C B A		PC	PC	PC	PC	X	F	F	F	F	X	PC	PC	PC	PC	
							X	F	F	F	F	X					



CODE	DIM "M" MATING LENGTH	CONTACT TYPE
PC	[1.07]	POWER
F	[N/A]	SIGNAL
X	OMITTED	

mat'l code				SEE NOTES		tolerances unless otherwise specified		CUSTOMER		www.fciconnect.com	
ltr	ecn no.	dr	date	linear	0.X ± 0.3	projection	COPY		title		
A	DG07-0076	JMG	03/09/07	angles	0.XX ± 0.13		MM		4P + 24S + 4P VERTICAL PRESS FIR RECEPT		
				dr	0.XXX ± 0.051	scale	1:1		product family		code
				enr	0° ± 2°				PwrBlade		213
				chr	JM GUO 03/09/07				size		sheet
				appd	RYAN YUAN 03/09/07				51750-078		1 of 4
					BEER FU 03/09/07				A		
					JOSEPH HSIA 03/09/07				cage code		
sheet index	revision sheet	A 1	A 2	A 3	A 4					22526	

Pro/E

PDM: Rev:A

STATUS: Released

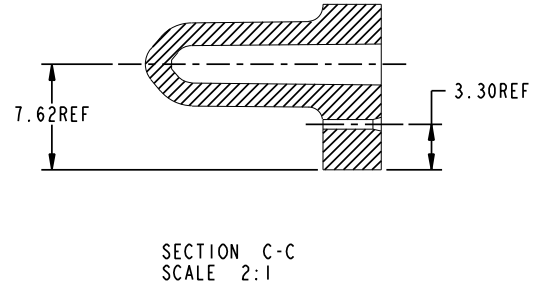
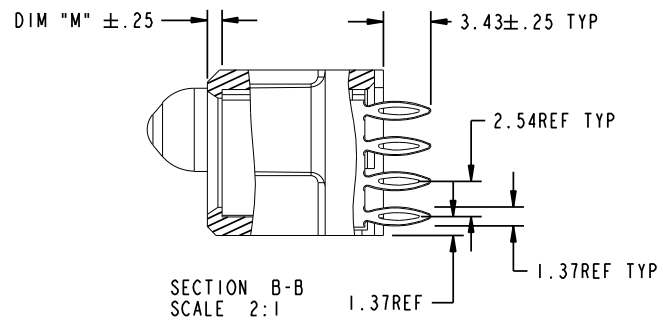
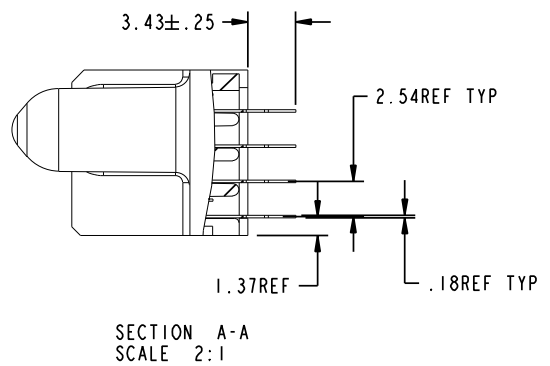
Printed: Dec 20, 2010

Tous droits strictement réservés. Reproduction ou communication a des tiers interdite sous quelque forme que ce soit sans autorisation écrite du propriétaire. Propriété de c FCI. Droits de reproduction FCI.

All rights strictly reserved. Reproduction or issue to third parties in any form whatever is not permitted without written authority from the proprietor. Property of FCI. Copyright FCI.



PRODUCT NUMBER
51750-078..
NOTE: 3



mat'l code				tolerances unless otherwise specified				CUSTOMER		FCI www.fciconnect.com	
ltr	ecn no.	dr	date	linear	0.X ± 0.3	COPY		title			
A				linear	0.XX ± 0.13	projection	4P + 24S + 4P VERTICAL PRESS FIR RECEIPT				
				angles	0.XXX ± 0.051	MM		product family			
				dr	0° ± 2°	scale	PwrBlade		code		
				enr	JM GUO 03/09/07	1:1	size		213		
				chr	RYAN YUAN 03/09/07	A		51750-078		sheet	
				appd	BEER FU 03/09/07	A		2 of 4			
sheet index	revision sheet				JOSEPH HSIA 03/09/07			cage code			
								22526			

Pro/E

PDM: Rev:A

STATUS: Released

Printed: Dec 20, 2010

Tous droits strictement réservés. Reproduction ou communication a des tiers interdite sous quelque forme que ce soit sans autorisation écrite du propriétaire. Propriété de c FCI. Droits de reproduction FCI.



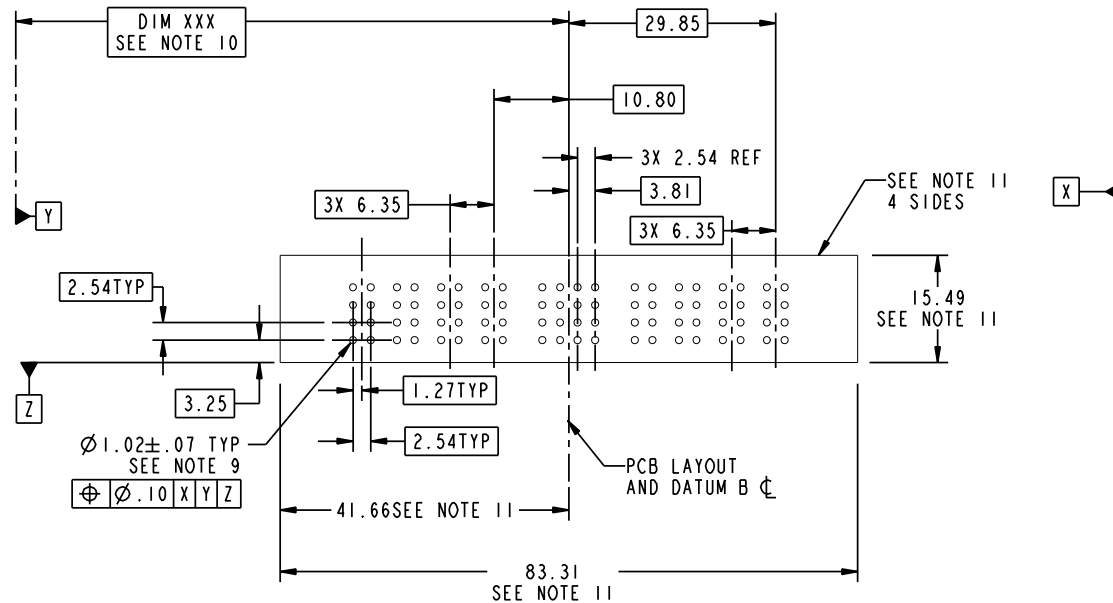
All rights strictly reserved. Reproduction or issue to third parties in any form whatever is not permitted without written authority from the proprietor. Property of FCI. Copyright FCI.

PRODUCT NUMBER
51750-078..
NOTE: 3

1 | 2

3 |

4



mat'l code				tolerances unless otherwise specified		CUSTOMER		FCI www.fciconnect.com	
ltr	ecn no.	dr	date	linear	0.X ± 0.3	COPY		title	
A				linear	0.XX ± 0.13	projection		4P * 24S * 4P VERTICAL PRESS FIR RECEIPT	
				angles	0.XXX ± 0.051	MM		product family	
				dr	0° ± 2°	scale		PwrBlade	
				enr	JM GUO 03/09/07	1:1		size	
				chr	RYAN YUAN 03/09/07			dwg no	
				appd	BEER FU 03/09/07			51750-078	
					JOSEPH HSIA 03/09/07			sheet	
sheet index	revision sheet							3 of 4	

1 | 2

3 |

4

Pro/E

cage code
22526

PDM: Rev:A

STATUS: Released

Printed: Dec 20, 2010

Tous droits strictement réservés. Reproduction ou communication a des tiers interdite sous quelque forme que ce soit sans autorisation écrite du propriétaire. Propriété de c FCI. Droits de reproduction FCI.



All rights strictly reserved. Reproduction or issue to third parties in any form whatever is not permitted without written authority from the proprietor. Property of FCI. Copyright FCI.

PRODUCT NUMBER
51750-078..
NOTE: 3

NOTES:

1. DIMENSIONS AND TOLERANCES ARE IN ACCORDANCE WITH ASME Y14.5M, 1994 UNLESS OTHERWISE SPECIFIED.

CONNECTOR NOTES:

- ② HOUSING MATERIAL: UL 94 V-0 GLASS FILLED
HIGH-TEMP THERMOPLASTIC
POWER CONTACT MATERIAL: COPPER ALLOY
SIGNAL PIN MATERIAL: COPPER ALLOY
- 3. PLATING SPEC.
51750-078,51750-078LF PLATING SPEC. WAS SHOWN IN THE PRINT OF 10064183.
- ④ MANUFACTURER'S NAME, P/N, AND DATE CODE TO APPEAR ON THIS SURFACE.
- 5. PRODUCT SPECIFICATION GS-12-149.
APPLICATION SPECIFICATION BUS-20-067.
- 6. PACKAGED IN TRAYS.

PCB NOTES:

- 7. ALL HOLE DIAMETERS ARE FINISHED HOLE SIZE.
- ⑧ MOUNTING HOLES, WHERE APPLICABLE, ARE UNPLATED.
- ⑨ $\varnothing 1.151 \pm 0.025$ DRILLED HOLES PLATED WITH
0.008 MIN SnPb OR Sn OVER 0.03
TO 0.08 Cu PLATING TO ACHIEVE
 $\varnothing 1.02 \pm .07$ HOLE.
- ⑩ "DIM XXX" TO BE DETERMINED BY THE CUSTOMER.
- ⑪ CONNECTOR KEEP-OUT ZONE.

mat'l code				tolerances unless otherwise specified				CUSTOMER		FCI		www.fciconnect.com	
ltr	ecn no.	dr	date	linear	0.X ± 0.3	COPY	projection		title				
A					0.XX ± 0.13				4P * 24S * 4P VERTICAL PRESS FIR RECEPT				
				angles	0.XXX ± 0.051				product family		code		
				dr	0° ± 2°		MM		PwrBlade		213		
				engr	JM GUO 03/09/07		scale		size		sheet		
				chr	RYAN YUAN 03/09/07		1:1		51750-078		4 of 4		
				appd	BEER FU 03/09/07				A				
					JOSEPH HSIA 03/09/07								
sheet index	revision sheet												

Pro/E

cage code 22526

PDM: Rev:A

STATUS: Released

Printed: Dec 20, 2010