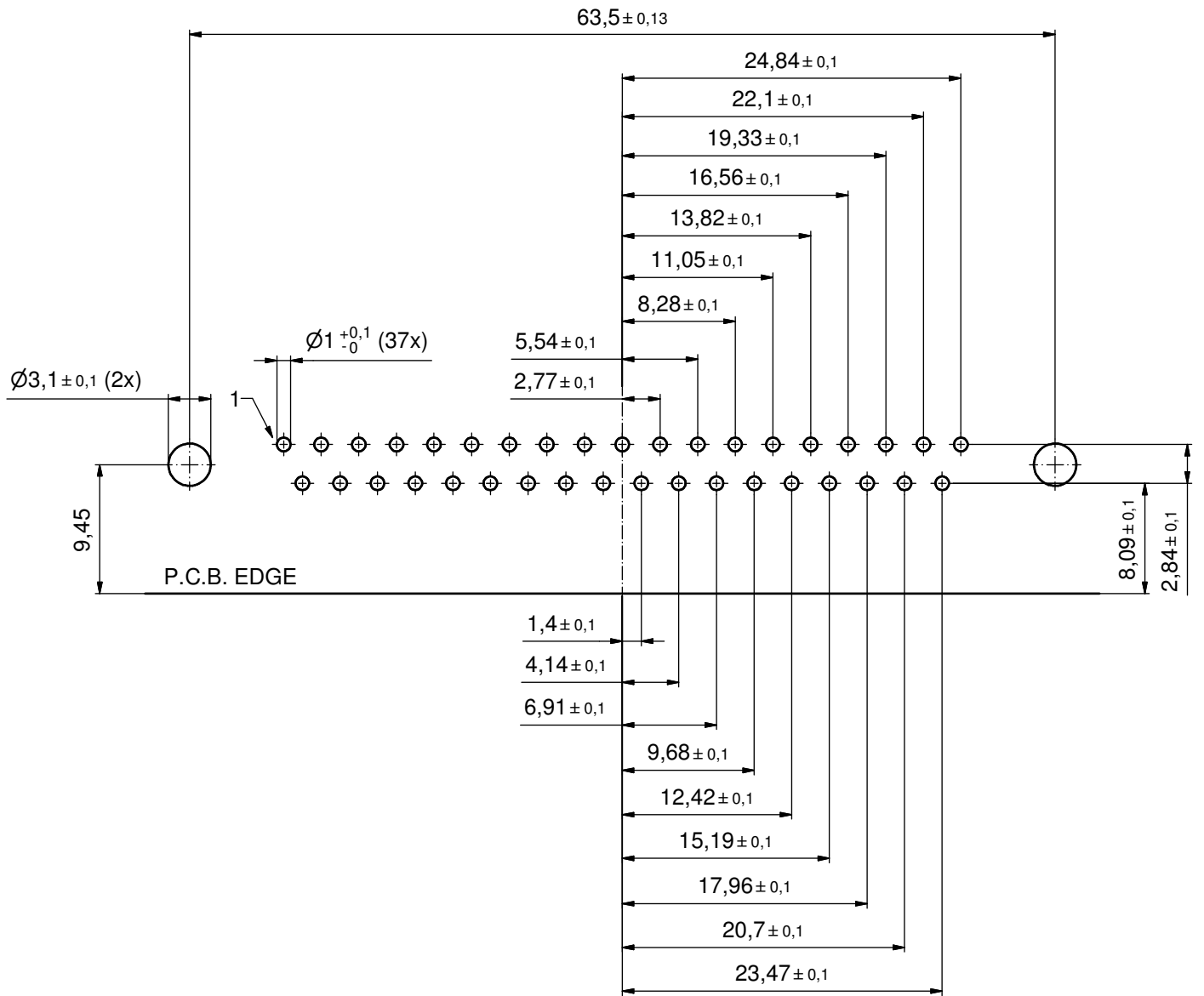


NOTES:

1. METALHELLS: STEEL; min. 315µm TIN over 40-80µm NICKEL
2. INSULATORS: PBT GF UL 94 V-0; BLACK
3. CONTACTS: COPPER ALLOY; PLATING (SEE PART NO.)
 - PLEASE ADD C for 30µm HARD GOLD over min. 50µm NICKEL
 - PLEASE ADD B for 20µm HARD GOLD over min. 50µm NICKEL
 - PLEASE ADD A for GOLD FLASH over NICKEL (PREFERRED TYPE)
4. METAL BRACKETS: ZINC DIE CAST; 300µm COPPER/40-120µm NICKEL/120-200µm TIN
5. THREADED LOCKS: COPPER ALLOY; min. 200µm TIN over 80µm NICKEL
6. PCB-SNAPS: COPPER ALLOY; min. 200µm TIN over 80µm NICKEL
PCB-HOLE: $\varnothing 3,1 \pm 0,1$; PCB THICKNESS 1,6mm
7. FIXING-PLATE: PBT GF UL 94 V-0; BLACK
8. PCB HOLE DRILLINGS ON SHEET 2
9. MAXIMUM TORQUE VALUE FOR THREAD: 6 in.LB
10. CONNECTOR IS PART MARKED: **163□18639X CONEC ABC** (see note 3)

Directive 2002/95/EC RoHS compliant

THIS DRAWING MAY NOT BE COPIED OR REPRODUCED IN ANY WAY, AND MAY NOT BE PASSED ON TO A THIRD PARTY WITHOUT WRITTEN PERMISSION. OWNERSHIP AND COPYRIGHT OF CONEC GmbH DO NOT ALTER CAD DRAWING BY HAND	tolerance		dim. in mm		scale: 2:1 (5:1)		
	date		name		material: SEE NOTES		
	drawn	23.01.13	Henneboel		title: D-SUB MALE 90° 37pos. SOLDER PIN ANGLED 0.318inch with threaded lock, metal bracket, fixing plate and snap		
	appd.	28.01.13	Fischer				
	norm						
	d-old	16K1A1010/16K2A1010					dwg no:
	3 x b	A4620	23.01.2013	KH.			DIN-A3
	a	Original					sh: 1/2
	rev.	description	date	name			part no: 163□18639X (see note 3)



THIS DRAWING MAY NOT BE COPIED OR REPRODUCED IN ANY WAY, AND MAY NOT BE PASSED ON TO A THIRD PARTY WITHOUT WRITTEN PERMISSION. OWNERSHIP AND COPYRIGHT OF CONEC GmbH DO NOT ALTER CAD DRAWING BY HAND					tolerance	 dim. in mm	scale: 3:1
					date		name
					drawn	23.01.13	Henneboel
					appd.	28.01.13	Fischer
					norm		
				d-old			title:
3 x b	A4620	23.01.2013	K.H.				P.C.B. HOLE DRILLINGS D-SUB MALE 37pos. SOLDER PIN ANGLED with threaded lock, metal bracket, fixing-plate and snap
a	Original						
rev.	description	date	name				sh: 2/2
							part no: SEE SHEET 1