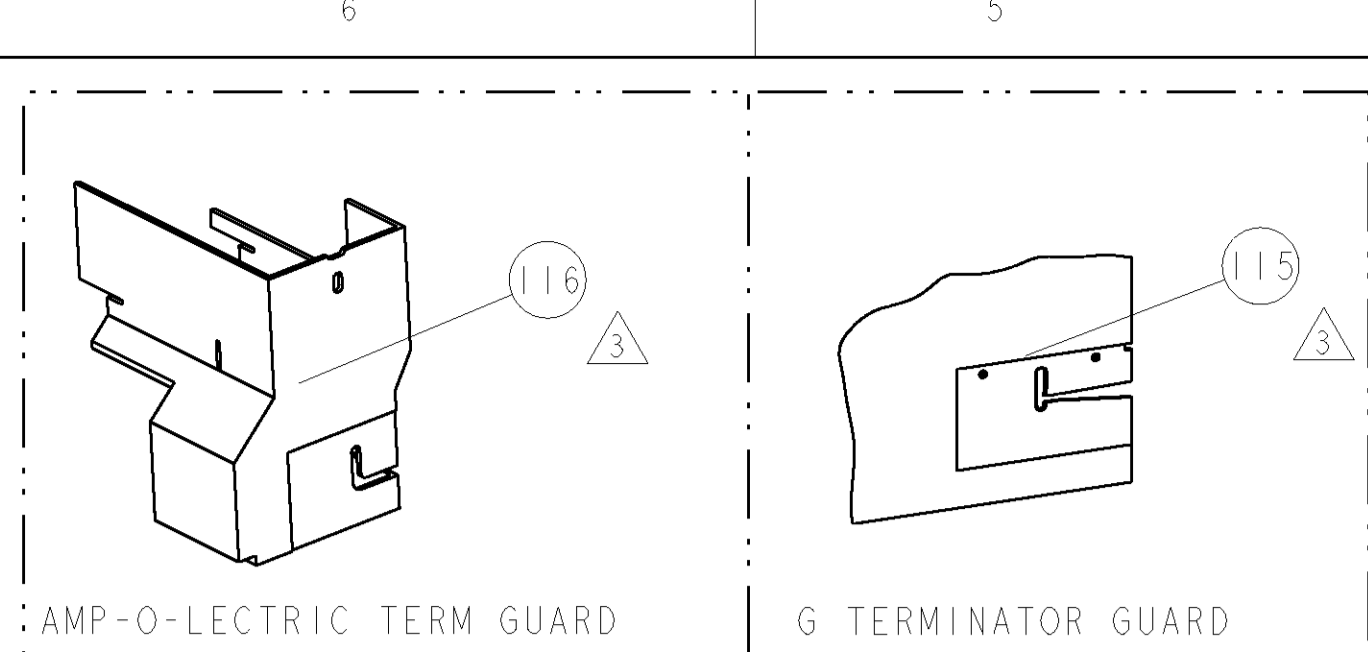
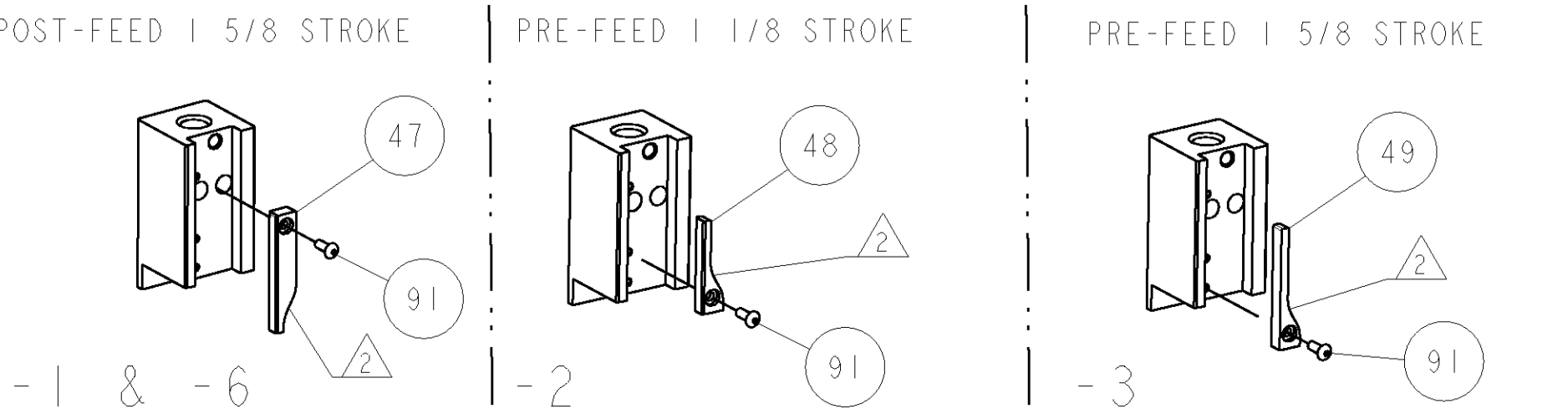
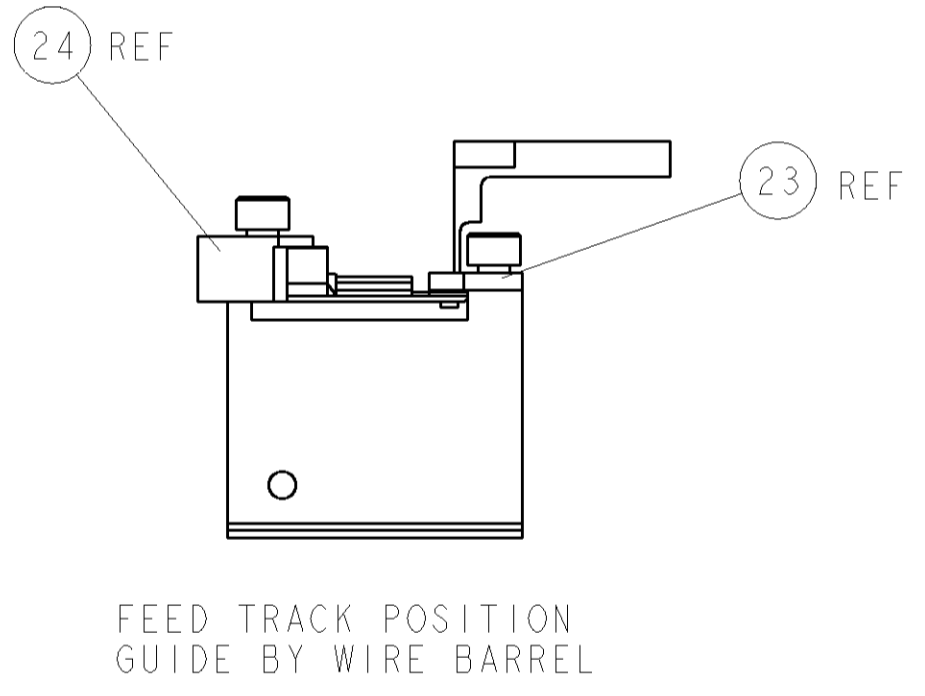
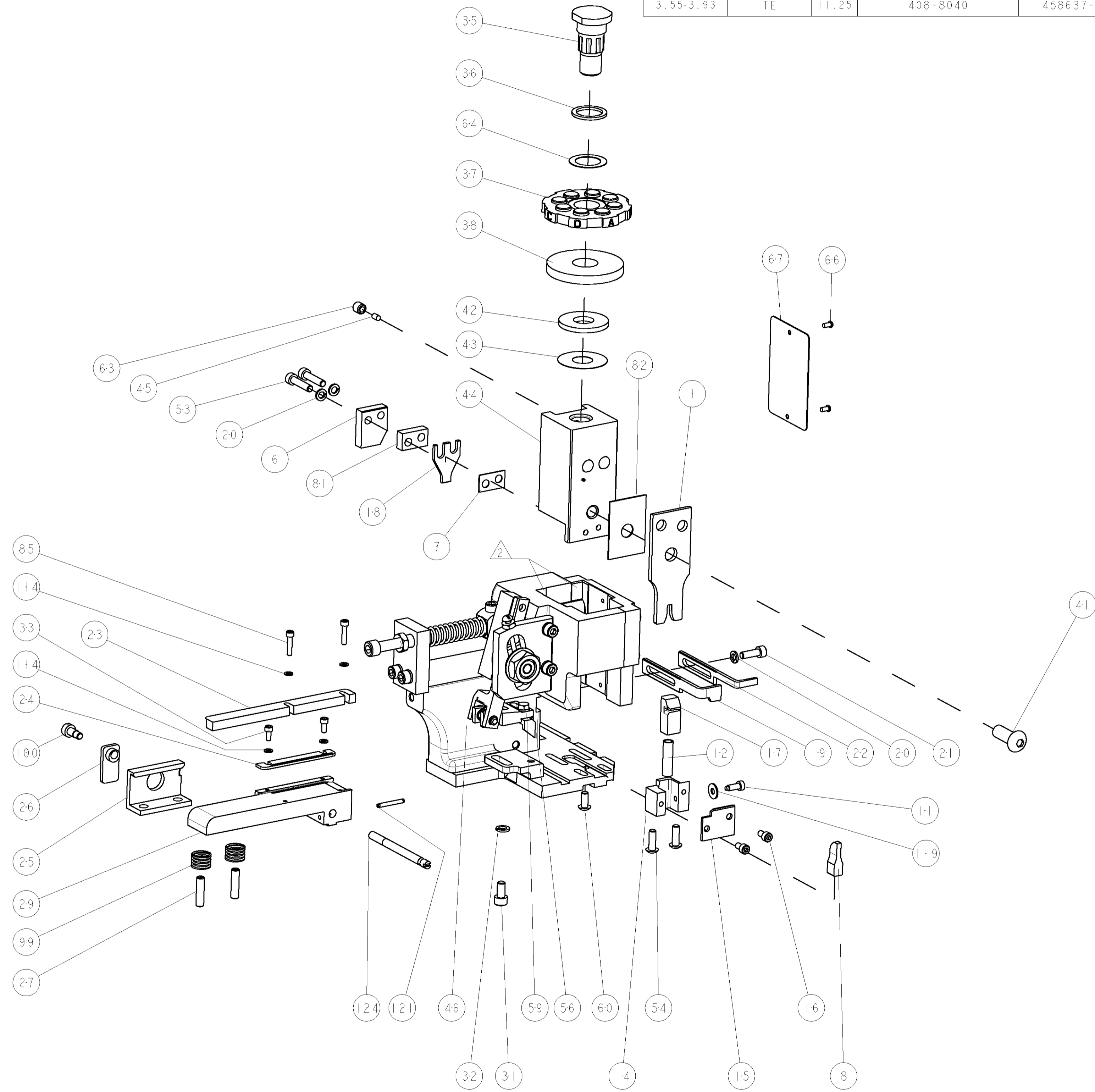
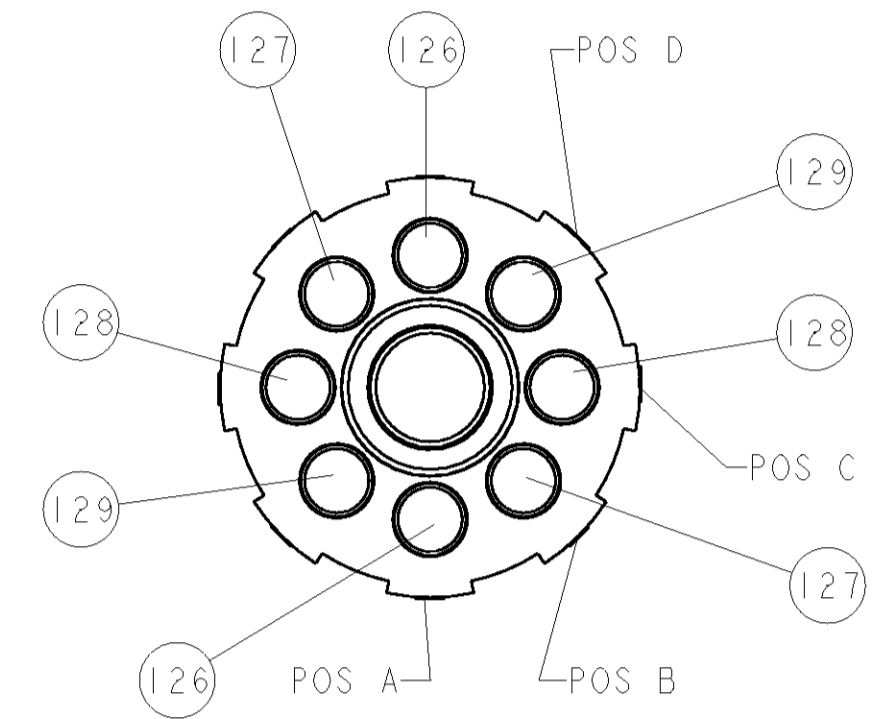


PART NUMBER	REV	FIRST USED	POWER UNIT	FEED TYPE	DESCRIPTION
1852794-1	A	122500-1	LEADMAKER	POST FEED	CUTS CARRIER
1852794-2	A	565435-5	BENCH MODEL K	PRE FEED	CUTS CARRIER
1852794-3	A	354500-1	BENCH MODEL G	PRE FEED	CUTS CARRIER
1852794-6	A	122500-1	LEADMAKER	POST FEED	CONTINUOUS CARRIER
7-1852794-7	A	-	-	-	SPARE PARTS



TE P/N		ARKLES	ARKLES TERMINAL - TE CRIMP SPECS	
1949851	3500H	109A-2		
			CRIMP HEIGHT	WIRE SIZE
			A 2.03mm±.05/-0.05 [0.080±.002/-0.002]	12AWG or 3mm2
			B 1.81mm±.05/-0.05 [0.071±.002/-0.002]	14AWG or 2mm2
			C 1.61mm±.05/-0.05 [0.063±.002/-0.002]	16AWG or 1.25mm2
			D 1.50mm±.05/-0.05 [0.059±.002/-0.002]	18AWG or 0.85mm2
			CRIMP	SIZE
			WIRE 3.05mm [1.20]	F
			INSUL	-
WIRE STRIP LENGTH	TERM APPL SPEC	FEED	APPLICATOR INSTRUCTIONS	SET UP GAGE
3.55-3.93	TE	11.25	408-8040	458637-1

- △ RECOMMENDED SPARE PARTS
- △ GREASE LIGHTLY
- △ GUARD MUST BE IN PLACE WHEN OPERATING APPLICATOR IN A BENCH MACHINE



LOC	DIST	P LTR	REVISIONS	DATE	OWN	APVD
A	66	A	RELEASED	04FEB2009	RK	TE

QTY	REV	DESCRIPTION	ITEM NO				
- 2	2	2	2	-	1-354779-9	PIN, WIRE DISC, .3085	129
- 2	2	2	2	-	1-354779-1	PIN, WIRE DISC, .3045	128
- 2	2	2	2	-	9-354778-2	PIN, WIRE DISC, .2955	127
- 2	2	2	2	-	7-354778-5	PIN, WIRE DISC, .2870	126
- 1	1	1	1	-	690432-6	ADJUSTMENT SCREW	124
- 1	1	1	1	-	4-21028-0	PIN, SLOTTED SPRING .094 X .750	121
- 1	1	1	1	-	21055-5	WASHER, FLAT, REG NO 6	119
-	-	REF	-	..	455749-1	GUARD WINDOW	116
-	-	REF	-	..	679532-1	INSERT, GUARD	115
-	-	4	-	-	21024-2	WASHER, SPRG LOCK, REG NO 4	114
- 42.0	42.0	21.0	42.0	-	22353-8	SCR, SHLD, SLOT HD, 3/16 DIA	100
- 2	2	2	2	-	1-22284-0	SPRING, COMPRESSION	99
- 1	1	1	1	-	1-21002-7	SCR, BTN SKT HD CAP 6-32 X .375	91
- 2	2	2	2	-	1-21000-5	SCR, SKT HD CAP 4-40 X .500	85
- 1	1	1	1	-	455888-6	SPACER, CRIMPER	82
- 1	1	1	1	-	1-240641-4	SPACER	81
- 1	1	1	1	-	4088040	SF APPL INST 408-8040	72
- 1	1	1	1	-	217238-1	GENERAL INSTRUCTION PKG	71
- 1	1	1	1	-	461264-1	PLATE, IDENTIFICATION	67
- 2	2	2	2	-	21017-2	SCREW, DRIVE	66
- 1	1	1	1	-	986950-1	WASHER, FLAT PRECISION	64
- 1	1	1	1	-	21009-2	SCR, SET, SELF LOCKING 1/4-20 X .250	63
- 1	1	1	1	-	22733-8	SCR, BHSC, SELF-LOCKING, 8-32 X .375	60
- 1	1	1	1	-	2-22603-1	SCREW, MACH, HEX HD, 8-32 X .375	59
- 1	1	1	1	-	4-694433-8	FEED PAWL	56
- 2	2	2	2	-	2-21002-2	SCR, BTN SKT HD CAP 8-32 X .500	54
- 2	2	2	2	-	2-21000-9	SCR, SKT HD CAP 8-32 X .750	53
-	-	1	-	..	690602-6	CAM, PRE FEED, 1/8	49
-	-	1	-	..	690602-5	CAM, PRE FEED, 1/8	48
- 1	-	-	1	-	690501-4	CAM, POST-FEED 1/8	47
- 1	1	1	1	-	459456-1	APPL. BASIC SUB ASSY (SIDE WISE MQCA)	46
- 1	1	1	1	-	690191-1	PLUG, NYLON	45
- 1	1	1	1	-	455673-1	RAM, SIDE FEED	44
- 1	1	1	1	-	690125-1	SHIM SUB-ASSY	43
- 1	1	1	1	-	690124-1	WASHER, RAM (.115)	42
- 1	1	1	1	-	7-21002-8	SCR, BTN SKT HD CAP 5/16-24 X .875	41
- 1	1	1	1	-	690223-2	SPACER, INS.	38
- 1	1	1	1	-	354777-1	WIRE DISC, ASSEMBLY	37
- 1	1	1	1	-	22480-5	SPRING, COMPRESSION	36
- 1	1	1	1	-	690212-1	POST, RAM	35
- 2	2	2	2	-	1-21000-3	SCR, SKT HD CAP 4-40 X .250	33
- 1	1	1	1	-	21024-5	WASHER, SPRG LOCK, REG NO 10	32
- 1	1	1	1	-	3-21000-4	SCR, SKT HD CAP 10-32 X .375	31
- 1	1	1	1	-	844048-8	PLATE, REAR STRIP GUIDE	29
- 2	2	2	2	-	5-21006-6	SCR, SET, CUP POINT 10-32 X .750	27
- 1	1	1	1	-	356835-1	LEVER, DRAG RELEASE	26
- 1	1	1	1	-	240792-1	DRAG, TERMINAL	25
- 1	1	1	1	-	690438-1	FRONT STRIP GUIDE	24
- 1	1	1	1	-	1-189124-8	GUIDE, FRONT STRIP	23
- 1	-	-	1	-	690472-2	STRIPPER	22
- 1	1	1	1	-	2-21000-7	SCR, SKT HD CAP 8-32 X .500	21
- 4	4	4	4	-	21024-4	WASHER, SPRG LOCK, REG NO 8	20
-	-	1	-	-	691353-1	STRIPPER	19
- 1	1	1	1	-	690518-1	HOLD DOWN, TERMINAL	18
- 1	1	1	1	-	690463-1	FLOATING SHEAR, REAR	17
- 2	2	2	2	-	1-21000-8	SCR, SKT HD CAP 6-32 X .250	16
- 1	1	1	1	-	690464-4	SHEAR PLATE, REAR	15
-	-	1	1	-	690462-1	SHEAR HOLDER, REAR	14
-	-	-	-	..	-	-	13
- 1	1	1	1	-	3-22280-3	SPRING, COMPRESSION	12
- 1	1	1	1	-	690461-1	STOP, SHEAR	11
-	-	-	-	..	-	-	10
-	-	-	-	..	-	-	9
1	1	1	1	1	2-1633665-4	ANVIL, COMBINATION	8
- 1	1	1	1	-	2-240641-1	SPACER	7
- 1	1	1	1	-	690468-1	DEPRESSOR SHEAR, REAR	6
-	-	-	-	..	-	-	5
-	-	-	-	..	-	-	4
-	-	-	-	..	-	-	3
-	-	-	-	..	-	-	2
1	1	1	1	1	456409-1	CRIMPER, WIRE .120 "F" PREMIUM	1

DIMENSIONS: INCHES		TOLERANCES UNLESS OTHERWISE SPECIFIED:		DRAWN: B. HIGMAN		DATE: 21DEC2008	
1 PLC	±.01	2 PLC	±.005	CHK: T. ELBIN	04FEB2009	Tyco Electronics Harrisburg, PA 17105-3608	
3 PLC	±.001	4 PLC	±.0001	APVD: M. DEMING	04FEB2009	NAME: SIDE FEED HDM APPLICATOR	
MATERIAL:		FINISH:		WEIGHT:		SIZE: CAGE CODE: DRAWING NO: RESTRICTED TO	
				A1 00779		C=1852794	
CUSTOMER DRAWING		SCALE: 3:5		SHEET 1 OF 1		REV A	

CUSTOMER VIEWABLE ASSEMBLY