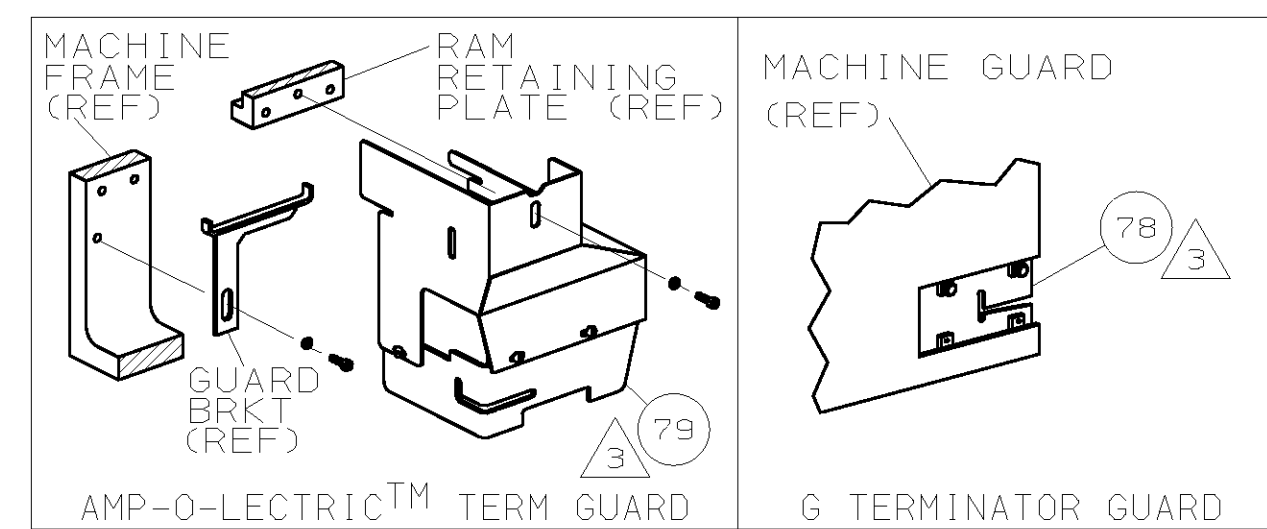
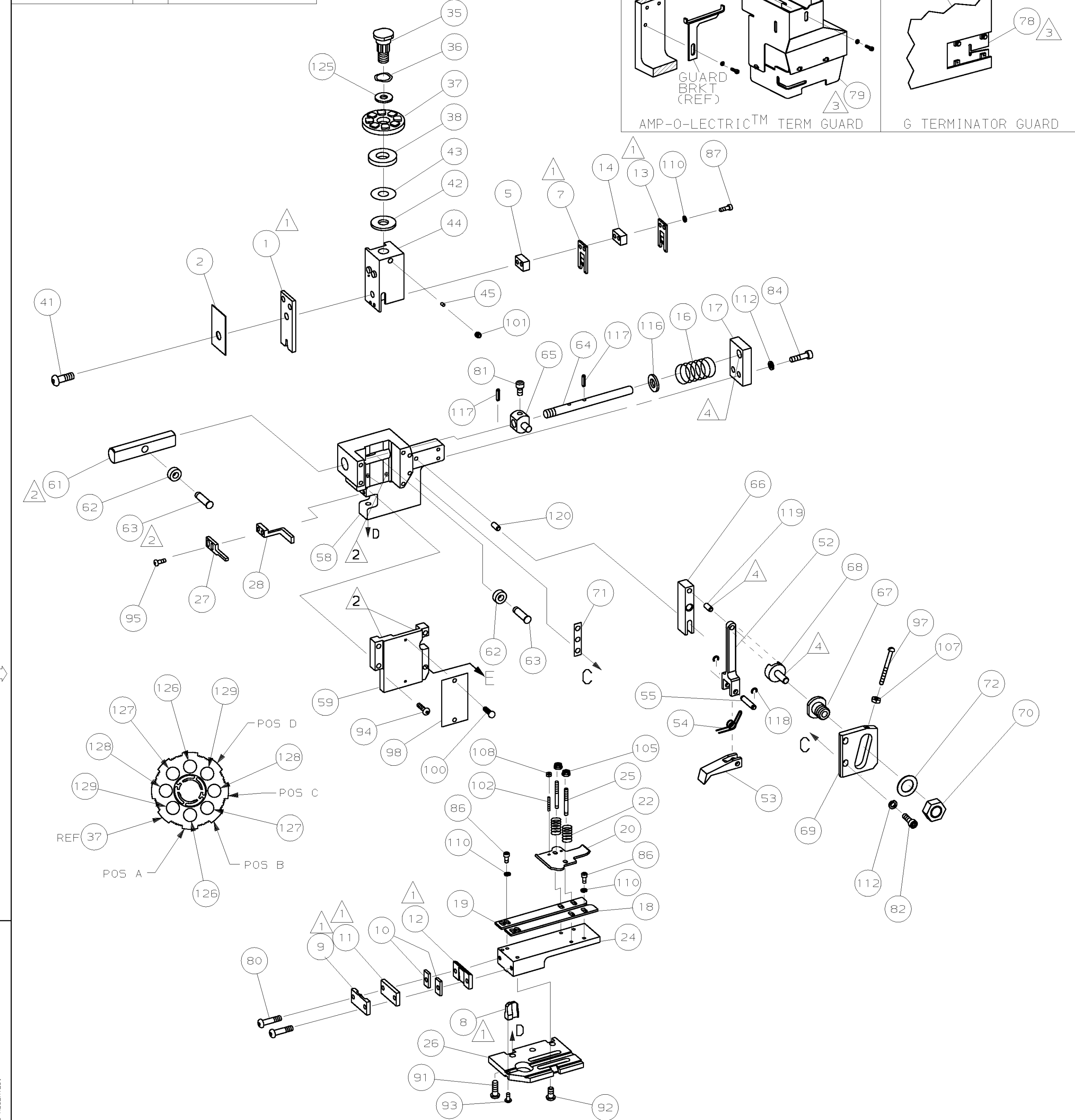


PART NUMBER	REV	FIRST USED
466691-3	B	122500-1 & 354500-1



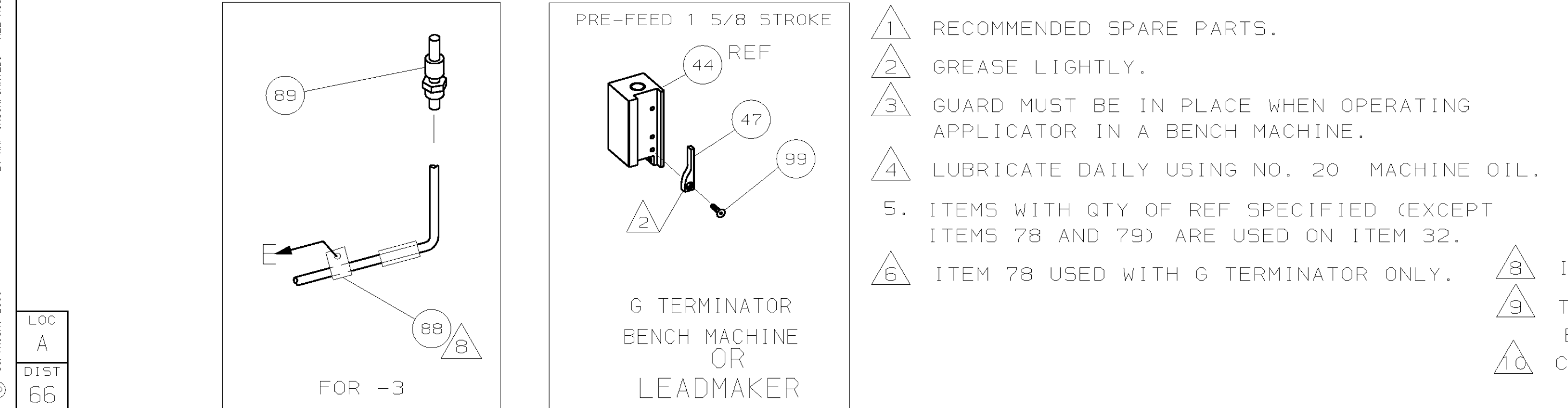
TERMINAL NAME: AMPLIVAR™ RING		CRIMPING DATA			
PAD LTR	CRIMP HEIGHT	WIRE SIZE			
A	.076 ±.002 [1.93 ±0.05mm]	14 OR 14 1/2			
B	.073 ±.002 [1.85 ±0.05mm]	15			
C	.069 ±.002 [1.75 ±0.05mm]	16			
D	.065 ±.002 [1.65 ±0.05mm]	17 OR 18			
CRIMP	SIZE	TYPE	RANGE		
WIRE	.110 [2.79mm]	F	18-14		
INSUL	.155 [3.94mm]	F	.100-.140		
WIRE STRIP LENGTH	TERM APPL SPEC	FEED	APPL INSTRUCTION	SET UP GAGE	LAYOUT
-	114-2084	.898	408-8039	458638-1	L971

-3	LEADMAKER & BENCH MODEL G	MECH PRE FEED	
----	---------------------------	---------------	--



2	-	C	8-354778-1	PIN, WIRE DISC (.2900)D	129
2	-	C	7-354778-3	PIN, WIRE DISC (.2860)C	128
2	-	C	6-354778-5	PIN, WIRE DISC (.2820)B	127
2	-	C	5-354778-9	PIN, WIRE DISC (.2790)A	126
1	-	A	986950-1	WASHER, FLAT PRECISION	125
1	-	A	217238-1	DOCUMENTATION PACKAGE	124
1	-	-	4088039	EF APPL INST 408-8039	123
					122
					121
REF	-	A	1-21030-7	PIN, DOWEL (Ø.187x1.50)H5G	120
REF	-	A	1-21030-1	PIN, DOWEL (Ø.187x.50)LEVER	119
REF	-	A	21045-3	RING, RET "C" (Ø.187)FD PIN	118
REF	-	A	5-21028-1	PIN, STD SPRING (Ø.12)FD ADJ ROD	117
REF	-	A	21899-4	WASHER, FLAT (Ø5/16)SCR ADJ	116
					115
					114
					113
REF	-	A	21024-5	WASHER, LOCK (NO.10)FD ROD GDE	112
					111
6	-	A	21024-4	WASHER, LOCK (NO.8)SHEAR BL	110
					109
2	-	A	21018-4	NUT, HEX (4-40)DRAG	108
REF	-	A	21018-5	NUT, HEX (6-32)FD ADJ PL	107
					106
2	-	A	21022-2	NUT, HEX 5L (8-32)DRAG STUD	105
					104
					103
2	-	A	2-21006-6	SCR, SKT SET (4-40x.62)DRAG	102
1	-	A	21009-2	SCR, SKT SET (1/4-20x.25)RAM	101
2	-	A	21017-2	SCR, DRIVE (#2x.19) ID PLATE	100
1	-	A	1-21002-7	SCR, BHC (6-32x.38) CAM	99
1	-	B	461264-1	PLATE, IDENTIFICATION	98
REF	-	A	6-23715-5	SCR, PAN HD (6-32x1.50)FEED ADJ	97
					96
2	-	A	2-21002-2	SCR, BHC (8-32x.50)STRIPPER	95
REF	-	A	2-21002-9	SCR, BHC (10-32x.75)H5G CAP	94
1	-	A	22733-8	SCR, BHC (8-32x.38 LW) ANVIL	93
4	-	A	3-21002-3	SCR, BHC (1/4-20x.50)ST 6D PL	92
REF	-	A	2-22733-8	SCR, BHC (1/4-20x.62)BASE PL	91
					90
1	-	B	318848-1	AIR BLAST ASSEMBLY	89
REF	-	A	23545-1	CLAMP, WIRE	88
2	-	A	2-21000-9	SCR, 5HC (8-32x.71)SLUG BLADE	87
4	-	A	2-21000-6	SCR, 5HC (8-32x.38)STRIP GUIDE	86
					85
REF	-	A	3-21000-7	SCR, 5HC (10-32x.75)FEED ROD GDE	84
					83
REF	-	A	3-21000-6	SCR, 5HC (10-32x.62)FEED ADJ PL	82
REF	-	A	3-21000-4	SCR, 5HC (10-32x.38)PIVOT BLOCK	81
2	-	A	3-21002-0	SCR, BHC (10-32x.88)SHEAR PL	80
-	-	A	455745-1	GUARD, WINDOW	79
REF	-	A	679532-1	INSERT, GUARD	78
					77
					76
					75
					74
					73
REF	-	A	458109-1	WASHER, FLAT (SPECIAL)	72
REF	-	A	690517-1	SPACER	71

REF	-	A	22594-8	NUT, HEX	70
REF	-	B	240628-1	PLATE, ADJ	69
REF	-	B	240626-1	SHAFT, PIVOT	68
REF	-	B	240633-1	BUSHING	67
REF	-	A	455680-1	LEVER, INTERMEDIATE	66
REF	-	B	240629-1	BLOCK, PIVOT	65
REF	-	A	240632-2	SCR, ADJ	64
REF	-	B	240659-3	PIN, CAM ROLLER	63
REF	-	B	240658-1	CAM, ROLLER	62
REF	-	B	454398-1	ROD, FEED	61
					60
REF	-	C	454220-1	CAP, RAM	59
REF	-	D	453736-1	HOUSING	58
					57
					56
REF	-	B	240624-1	PIN, FEED FINGER	55
REF	-	B	691499-1	SPRING, FEED FINGER	54
REF	-	B	240635-1	FINGER, FEED	53
REF	-	B	240634-1	LEVER, TERMINAL	52
					51
					50
					49
					48
1	-	B	690602-6	CAM, PRE FEED 1 5/8 ST	47
					46
1	-	A	690191-1	PLUG, NYLON	45
1	-	C	455674-1	RAM	44
1	-	A	690125-1	WASHER, LAMINATED	43
1	-	A	690124-1	WASHER, RAM	42
1	-	A	7-21002-9	BOLT, CRIMPER (5/16-24x1.00)	41
					40
					39
1	-	A	690223-2	SPACER, INSULATION DISC	38
1	-	D	354777-1	WIRE DISC, PLASTIC	37
1	-	A	22480-5	WASHER, SPRING	36
1	-	B	690212-1	POST, RAM	35
					34
					33
1	-	D	458980-1	APPLICATOR, BASIC (SUB ASSY)	32
					31
					30
					29
1	-	B	356212-1	STRIPPER, SPECIAL	28
1	-	A	240639-1	STRIPPER	27
REF	-	C	455676-1	PLATE, BASE	26
2	-	A	22354-8	DRAG, STUD	25
1	-	B	455678-1	PLATE, STRIP GUIDE	24
					23
2	-	A	4-22281-1	SPRING, DRAG	22
					21
1	-	A	454177-1	DRAG, STOCK	20
1	-	B	356224-1	GUIDE, STRIP (REAR)	19
1	-	C	356225-1	GUIDE, STRIP (FRONT)	18
REF	-	A	454178-1	GUIDE, FEED ROD	17
REF	-	A	4-22284-9	SPRING, FEED RETURN	16
					15
1	-	C	240641-5	SPACER, SLUG BLADE	14
1	-	B	318706-1	BLADE, SLUG	13
1	-	B	1-240642-8	PLATE, REAR SHEAR	12
1	-	B	1-240644-5	PLATE, REAR SHEAR	11
2	-	C	240645-3	SPACER, SHEAR PLATE	10
1	-	B	690482-8	PLATE, FRONT SHEAR	9
1	-	D	459866-4	ANVIL	8
1	-	B	2-690474-1	BLADE, SLUG	7
					6
1	-	C	2-240641-9	SPACER, SLUG BLADE	5
					4
					3
1	-	B	1-455888-0	SPACER, CRIMPER	2
1	-	C	456408-9	CRIMPER, WIRE	1



- 1 RECOMMENDED SPARE PARTS.
- 2 GREASE LIGHTLY.
- 3 GUARD MUST BE IN PLACE WHEN OPERATING APPLICATOR IN A BENCH MACHINE.
- 4 LUBRICATE DAILY USING NO. 20 MACHINE OIL.
- 5. ITEMS WITH QTY OF REF SPECIFIED (EXCEPT ITEMS 78 AND 79) ARE USED ON ITEM 32.
- 6 ITEM 78 USED WITH G TERMINATOR ONLY.
- 8 INSTALL ITEM 88 TO ITEM 59 USING ITEM 94
- 9 THIS APPLICATOR REMOVES THE INSULATION BARREL
- 10 CUT TO LENGTH AT ASSY

QTY REOD PER ASSY	U/M	DWG SIZE	PART NO	DESCRIPTION	ITEM NO

QTY REOD PER ASSY	U/M	DWG SIZE	PART NO	DESCRIPTION	ITEM NO