

This information is confidential and is disclosed to you on a condition that no further disclosure is made by you to any other person without the prior written authorization from THOMAS & BETTS INTERNATIONAL.

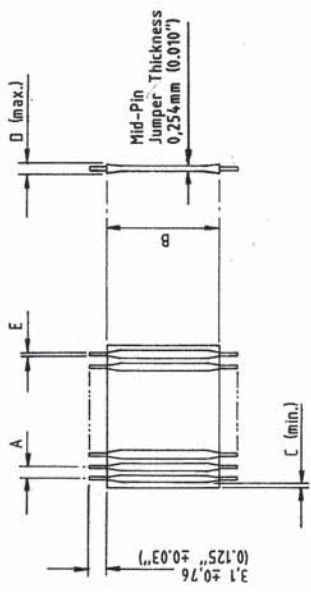


FLEXSTRIP* JUMPERS

2/86

+ CONDUCTOR PITCH "A"	MARGIN C (min.)	THICKNESS D (MAX.)	PIN DIAMETER E ±0.025 (±.001")	NUMBER OF CONDUCTORS	
				min.	max.
1 1.27 .050"	0.25 .010"	0.64 .025"	0.320 .0126"	2	30
6 1.90 .075"	0.38 .015"	0.84 .033"	0.404 .0159"	2	30
2 2.54 .100"	0.51 .020"	0.84 .033"	0.511 .0201"	2	30
3 3.18 .125"	1.52 .060"	0.84 .033"	0.511 .0201"	2	25
4 3.81 .150"	1.52 .060"	0.84 .033"	0.511 .0201"	2	20
5 5.08 .200"	1.52 .060"	0.84 .033"	0.511 .0201"	2	15

Dimensions are shown in mm (inches.)
 + Tolerance on Pitch ±0.25 (0.01") non-cumulative.

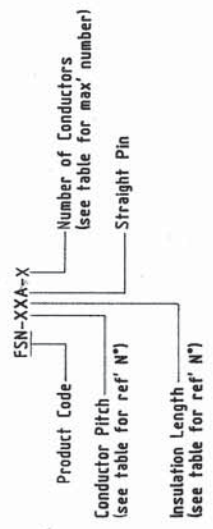


mm	inch)	Cat. Ref.
25.4	1	1
38.1	1 1/2	1.5
50.8	2	2
63.5	2 1/2	2.5
76.2	3	3
88.9	3 1/2	3.5
101.6	4	4
114.3	4 1/2	4.5
127	5	5
139.7	5 1/2	5.5
152.4	6	6

PROPERTIES :-
 Insulation Material - Nomex #
 Temperature Rating - 105°C
 Current Rating - 2 amps
 U.L. Style Number - 5188

NOTES:-
 * Trademark of Thomas & Betts Corporation
 # Registered trademark of E.I. Du Pont de Nemours

CATALOGUE NUMBERING SYSTEM



EXAMPLE:-

FSN -22A - 15
 FSN - Flexstrip Jumper With Nomex Insulation
 2 - Conductor Pitch 2.54 (0.100)
 2 - Insulation Length 50.8 (2)
 A - Straight Pin
 15 - Number of Conductors 15

T&B THOMAS & BETTS INTERNATIONAL
 EUROPEAN ENGINEERING DIVISION

DRG. N° 3S-10018



THIRD ANGLE PROJECTION

ALL DIMENSIONS SHOWN THIS DRAWING UNLESS OTHERWISE SPECIFIED TO EQUAL 0.0025 (0.0001) INCHES (0.0025 (0.0001) METRES)

MATERIAL	TREATMENT	PRODUCT CODE
FRESH		
SOIL		
DR		
CH		
AP		

PART NAME: FSN-22A-18
 TOLEANCES UNLESS OTHERWISE SPECIFIED
 TYPICAL: 0.0025 (0.0001) INCHES (0.0025 (0.0001) METRES)
 tyco C 5-1437181-7
 Electronics REV 0 SHP 1 of 1