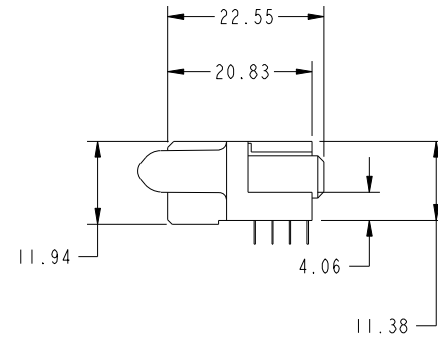
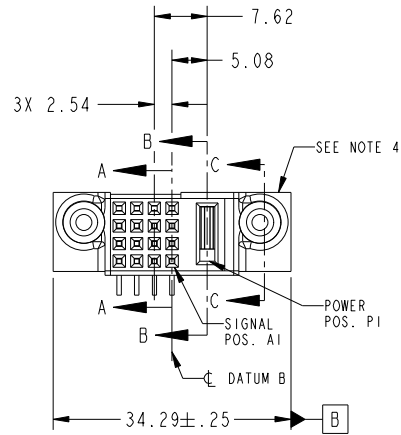


Tous droits strictement reserves. Reproduction ou communication a des tiers interdite sous quelque forme que ce soit sans autorisation écrite du propriétaire. Propriete de c FCI. Droits de reproduction FCI.



All rights strictly reserved. Reproduction or issue to third parties in any form whatever is not permitted without written authority from the proprietor. Property of FCI. Copyright FCI.

PRODUCT NO.	ROWS	SIGNAL				POWER		
		E2	4	3	2	1	P1	E1
51793-004_- NOTE: 3	D C B A		H	H	H	H	PG	
		G	G	G	G			
		F	F	F	F			
		E	E	E	E			



CODE	DIM "M" MATING LENGTH	CONTACT TYPE
E	[N/A]	SIGNAL
F	[N/A]	SIGNAL
G	[N/A]	SIGNAL
H	[N/A]	SIGNAL
PG	[1.07]	POWER

mat'l code				SEE NOTE		tolerances unless otherwise specified		CUSTOMER		FCI	
ltr	ecn no.	dr	date	linear	0.X ± 0.5	projection		COPY		www.fciconnect.com	
A	DG08-0139	SH	05/29/08	angles	0.XX ± 0.25	MIM		title		IACP + 16S R/A SOLDER RECEPTACLE	
				dr	0.XXX ± 0.1	scale		product family		PwrBlade	code
				enr	0° ± 2°	1:1		size		A	213
				chr	Sincere He 05/24/08			dwg no		51793-004	
				appd	Sincere He 05/24/08			sheet		1 of 4	
					Gary Hsieh 05/24/08			cage code		22526	
					Joseph Hsia 05/24/08						
sheet index	revision sheet	A	A	A	A						
		1	2	3	4						

Pro/E

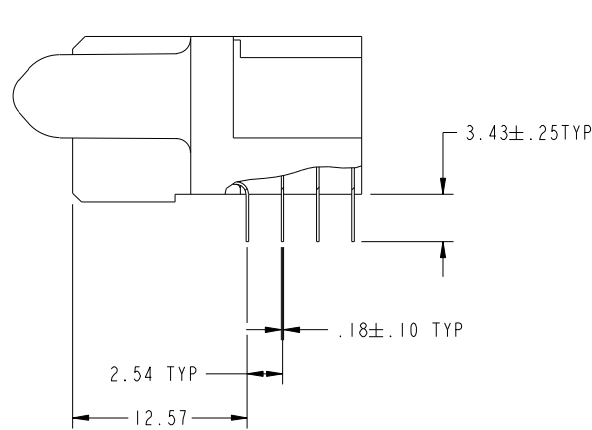
cage code 22526

Tous droits strictement reserves. Reproduction ou communication a des tiers interdite sous quelque forme que ce soit sans autorisation écrite du propriétaire. Propriete de c FCI. Droits de reproduction FCI.

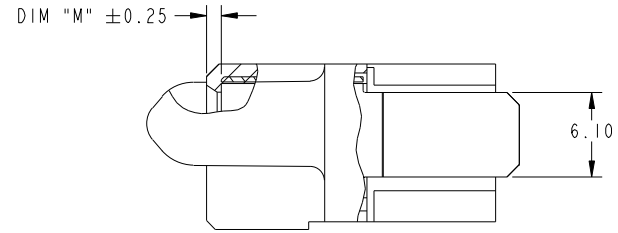


All rights strictly reserved. Reproduction or issue to third parties in any form whatever is not permitted without written authority from the proprietor. Property of FCI. Copyright FCI.

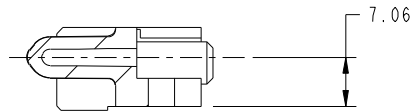
PRODUCT NUMBER
51793-004--
NOTE: 3



BROKEN-OUT SECTION A-A
SCALE 2:1



BROKEN-OUT SECTION B-B
SCALE 2:1



SECTION C-C

mat'l code				SEE NOTE	tolerances unless otherwise specified		CUSTOMER	FCI	
ltr	ecn no.	dr	date	linear	0.X ± 0.5	COPY	www.fciconnect.com		
A				linear	0.XX ± 0.25	projection	title		
				angles	0.XXX ± 0.1		IACP + 16S		
				dr	0° ± 2°		product family		code
				enr	Sincere He 05/24/08	scale	PwrBlade	213	
				chr	Sincere He 05/24/08	1:1	size	dwg no	sheet
				appd	Gary Hsieh 05/24/08		A	51793-004	2 of 4
					Joseph Hsia 05/24/08				
sheet index	revision sheet								

cage code 22526

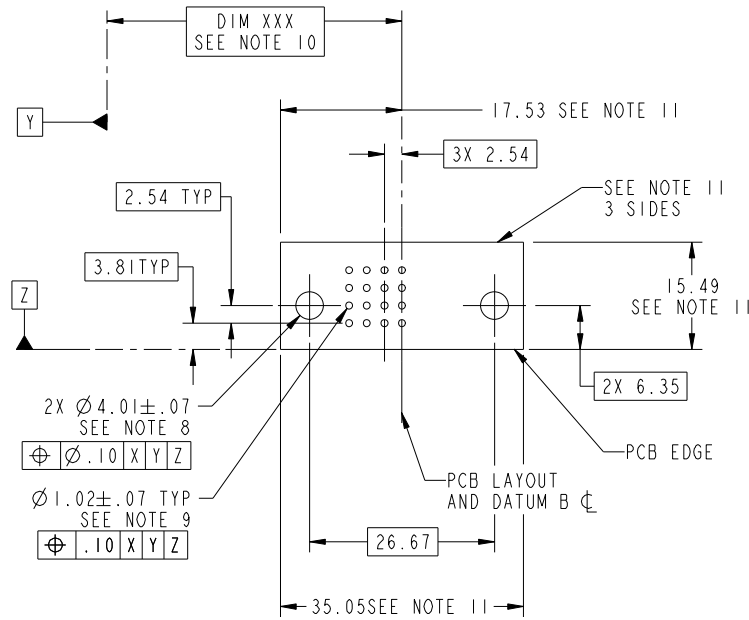
Pro/E

Tous droits strictement reserves. Reproduction ou communication a des tiers interdite sous quelque forme que ce soit sans autorisation écrite du propriétaire. Propriete de c FCI. Droits de reproduction FCI.



All rights strictly reserved. Reproduction or issue to third parties in any form whatever is not permitted without written authority from the proprietor. Property of FCI. Copyright FCI.

PRODUCT NUMBER
51793-004__
NOTE: 3



RECOMMENDED PCB LAYOUT

mat'l code				SEE NOTE		tolerances unless otherwise specified		CUSTOMER		FCI	
ltr	ecn no.	dr	date	linear	0.X ± 0.5	COPY		www.fciconnect.com		title	
A				linear	0.XX ± 0.25	projection		IACP + 16S		R/A SOLDER RECEPTACLE	
				angles	0.XXX ± 0.1	MIM		product family		PwrBlade	code
				dr	Sincere He 05/24/08	scale		size	dwg no	213	sheet
				enr	Sincere He 05/24/08	1:1		A	51793-004	3	of 4
				chr	Gary Hsieh 05/24/08						
				appd	Joseph Hsia 05/24/08						
sheet index	revision sheet										

cage code 22526

Pro/E

Tous droits strictement reserves. Reproduction ou communication a des tiers interdite sous quelque forme que ce soit sans autorisation écrite du propriétaire. Propriete de c FCI. Droits de reproduction FCI.



All rights strictly reserved. Reproduction or issue to third parties in any form whatever is not permitted without written authority from the proprietor. Property of FCI. Copyright FCI.

PRODUCT NUMBER
51793-004_-
NOTE: 3

NOTES:

1. DIMENSIONS AND TOLERANCES ARE IN ACCORDANCE WITH ASME Y14.5M, 1994 UNLESS OTHERWISE SPECIFIED.

CONNECTOR NOTES:

- 2. HOUSING MATERIAL: UL 94 V-0 GLASS FILLED HIGH-TEMP THERMOPLASTIC
POWER CONTACT MATERIAL: COPPER ALLOY
SIGNAL PIN MATERIAL: COPPER ALLOY
- 3. PLATING:
51793-004, 51793-004LF PLATING SPEC. WAS SHOWN IN THE PRINT OF 10064183.
- 4. MANUFACTURER'S NAME, P/N, AND DATE CODE TO APPEAR ON THIS SURFACE.
- 5. PRODUCT SPECIFICATION GS-12-149.
APPLICATION SPECIFICATION BUS-20-067.
- 6. PACKAGED IN TRAYS.

PCB NOTES:

- 7. ALL HOLE DIAMETERS ARE FINISHED HOLE SIZE.
- 8. MOUNTING HOLES, WHERE APPLICABLE, ARE UNPLATED.
- 9. $\varnothing 1.151 \pm 0.025$ DRILLED HOLES PLATED WITH 0.008 MIN SnPb OR Sn OVER 0.03 TO 0.08 Cu PLATING TO ACHIEVE $\varnothing 1.02 \pm .07$ HOLE.
- 10. "DIM XXX" TO BE DETERMINED BY THE CUSTOMER.
- 11. CONNECTOR KEEP-OUT ZONE.

mat'l code		SEE NOTE		tolerances unless otherwise specified		CUSTOMER		FCI		www.fciconnect.com	
ltr	ecn no.	dr	date	linear	0.X ± 0.5	COPY		title IACP + 16S R/A SOLDER RECEPTACLE			
A					0.XX ± 0.25	projection					
				angles	0.XXX ± 0.1						
				dr	Sincere He 05/24/08	MIM		product family		PwrBlade	code
				enrg	Sincere He 05/24/08			size	dwg no		213
				chr	Gary Hsieh 05/24/08	scale		A		51793-004	sheet
				appd	Joseph Hsia 05/24/08	1:1				4 of 4	
sheet index	revision sheet										

cage code 22526

Pro/E