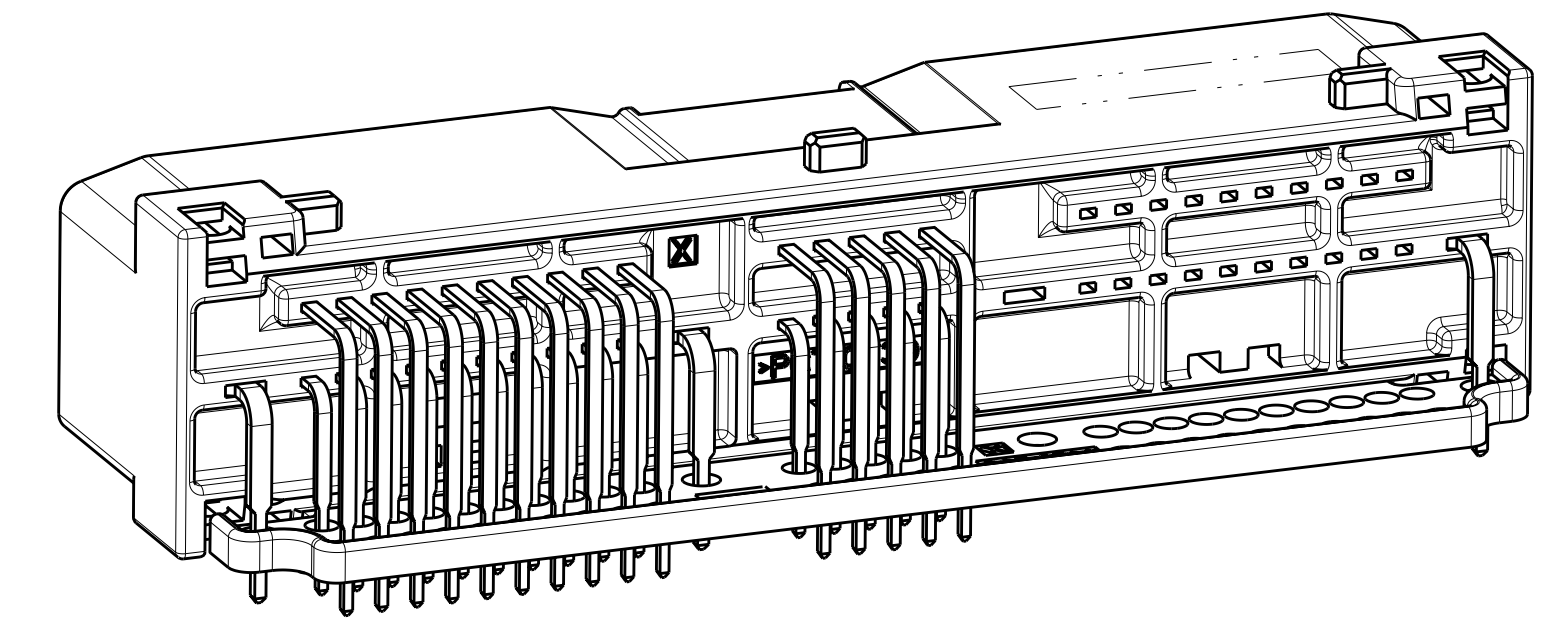
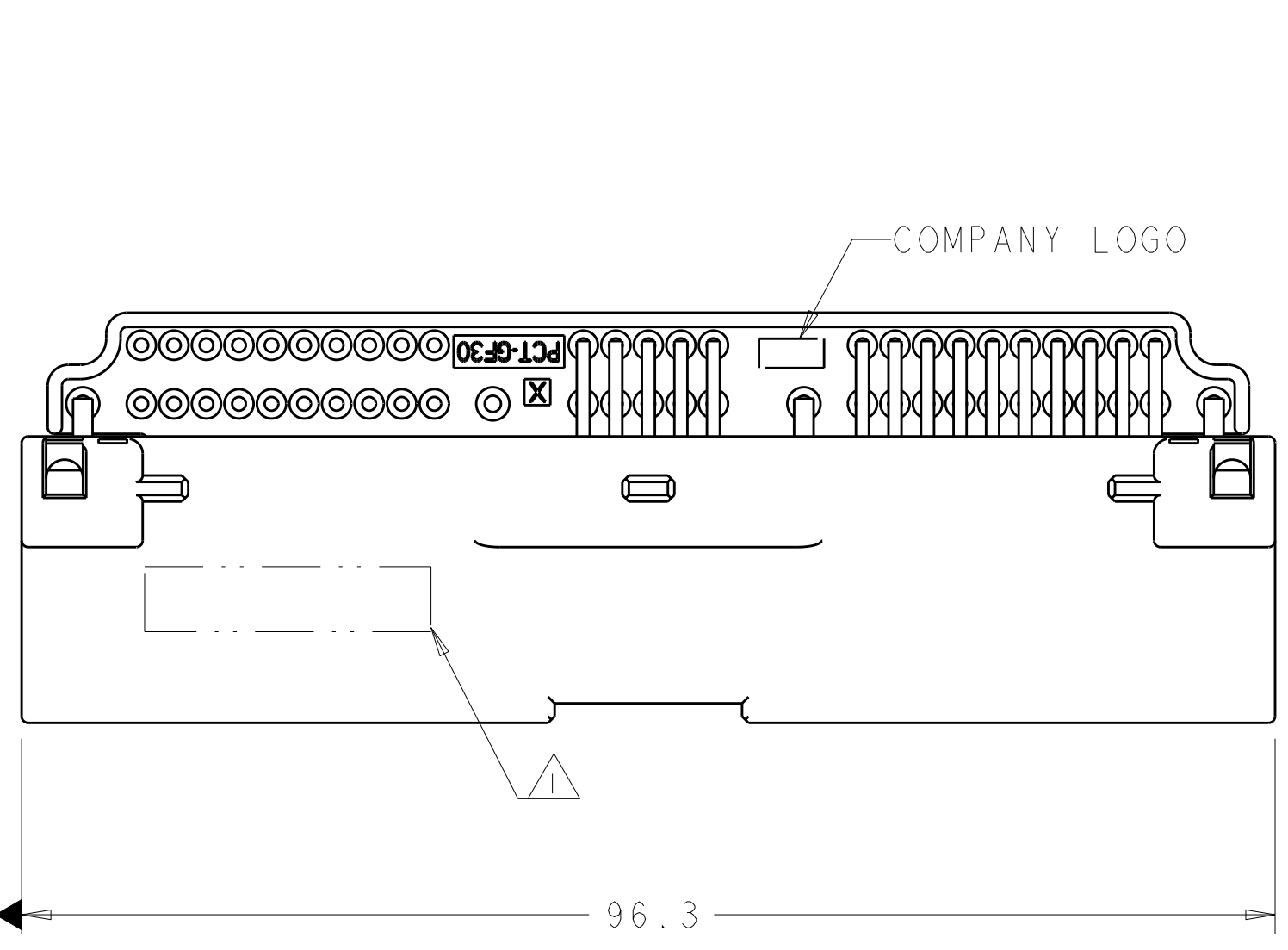
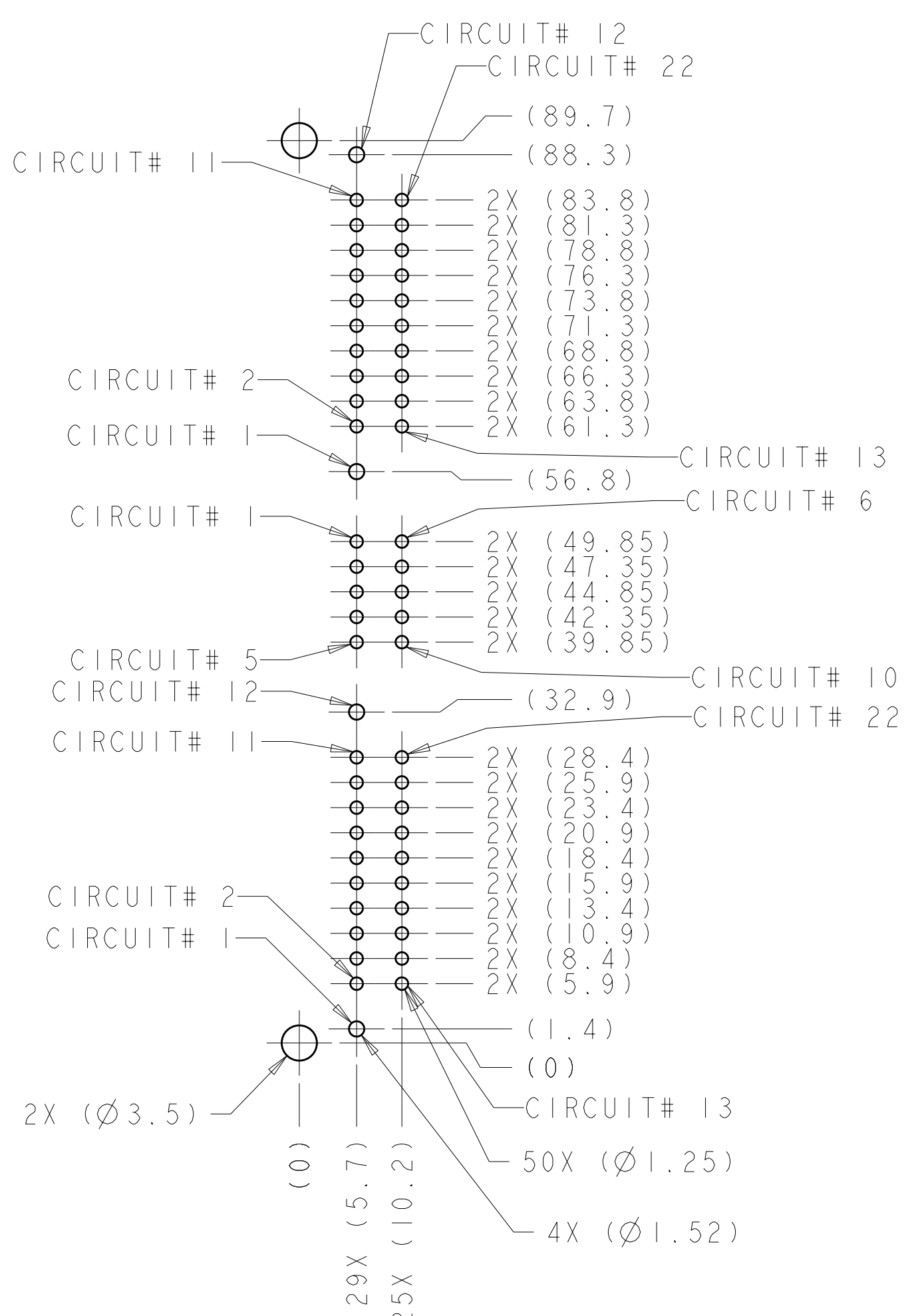
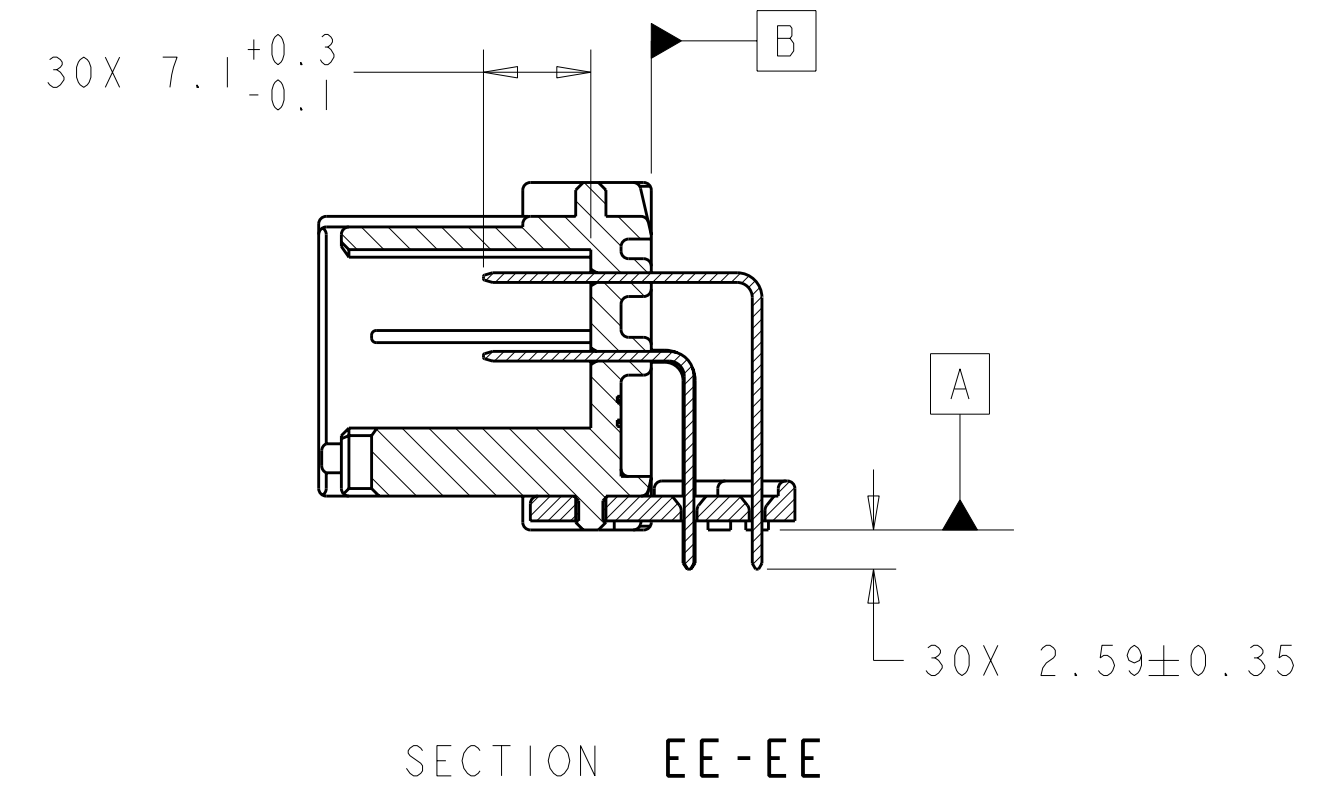
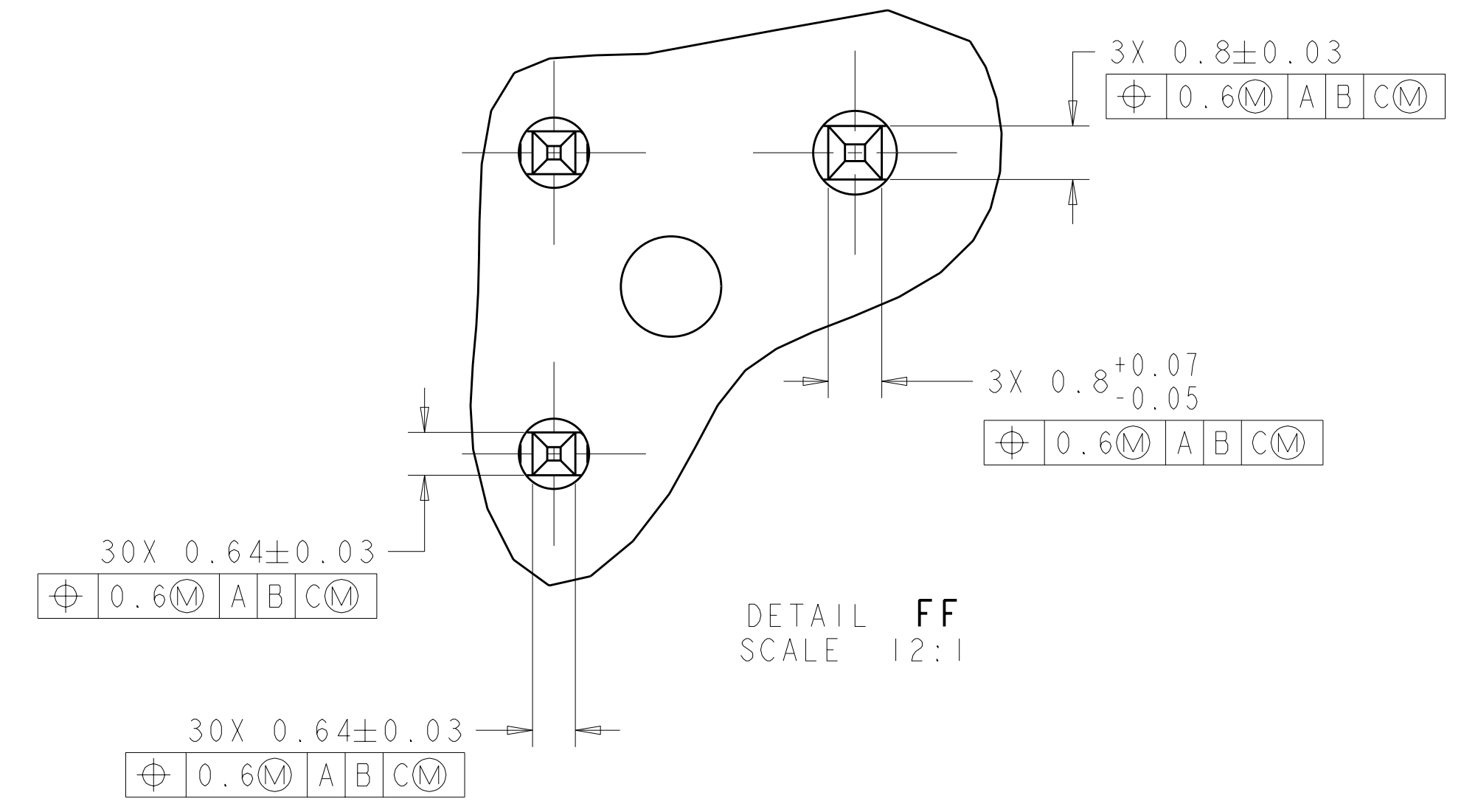
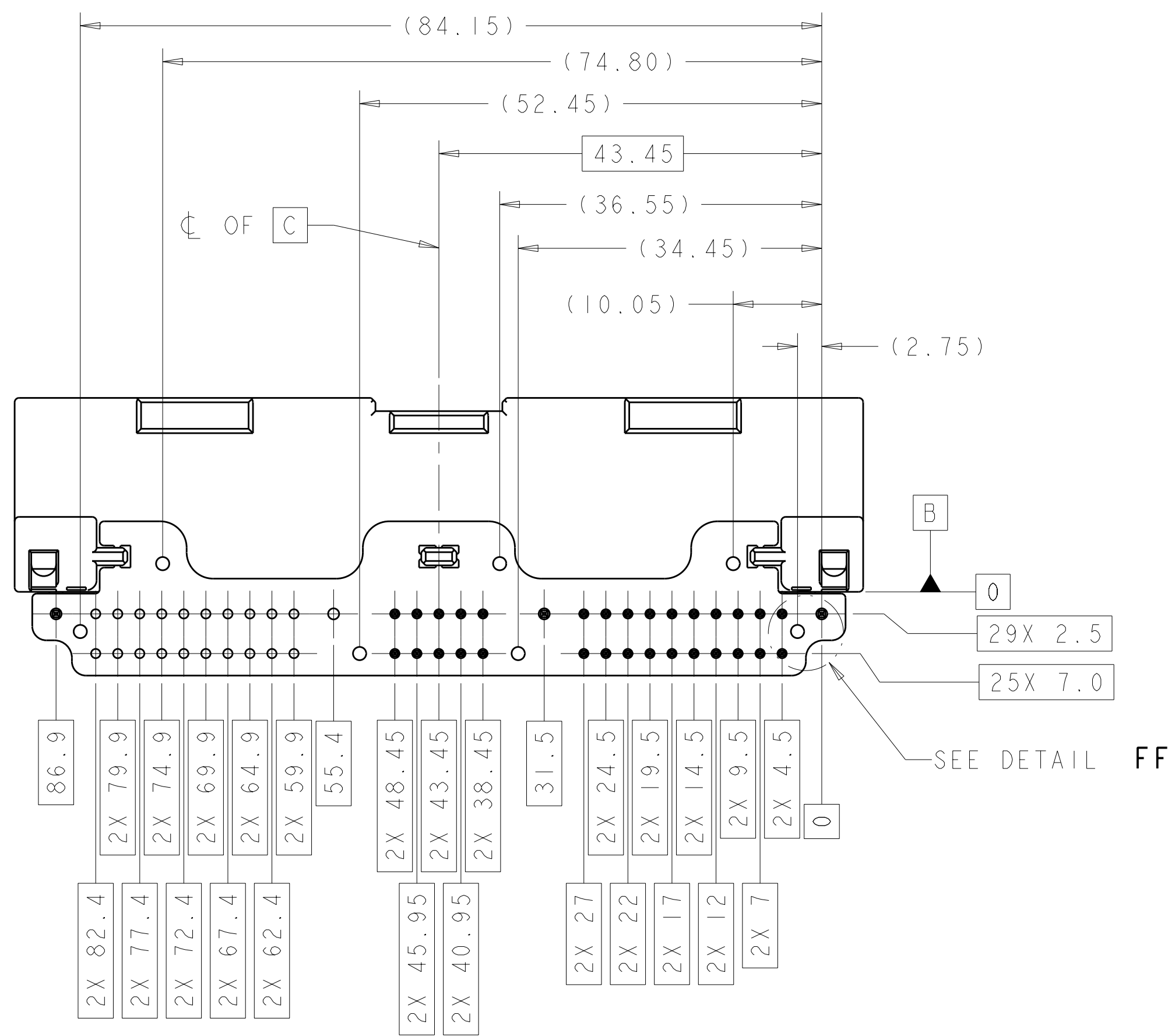
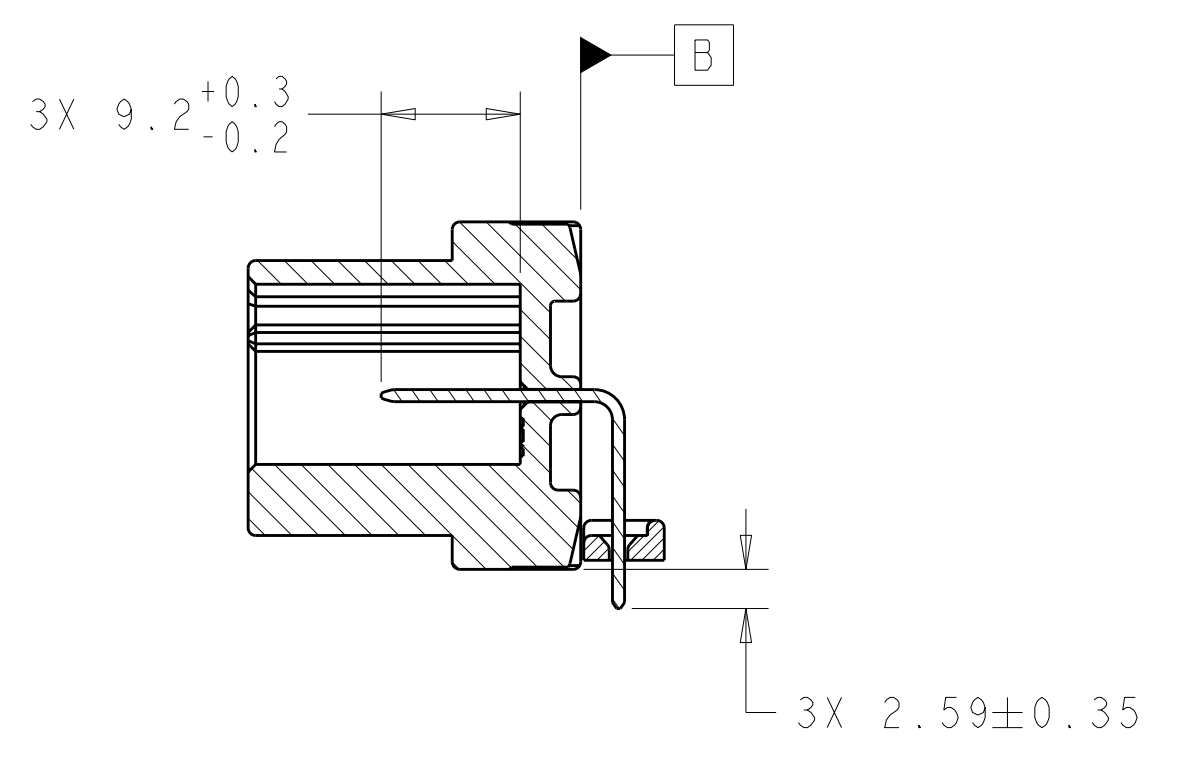
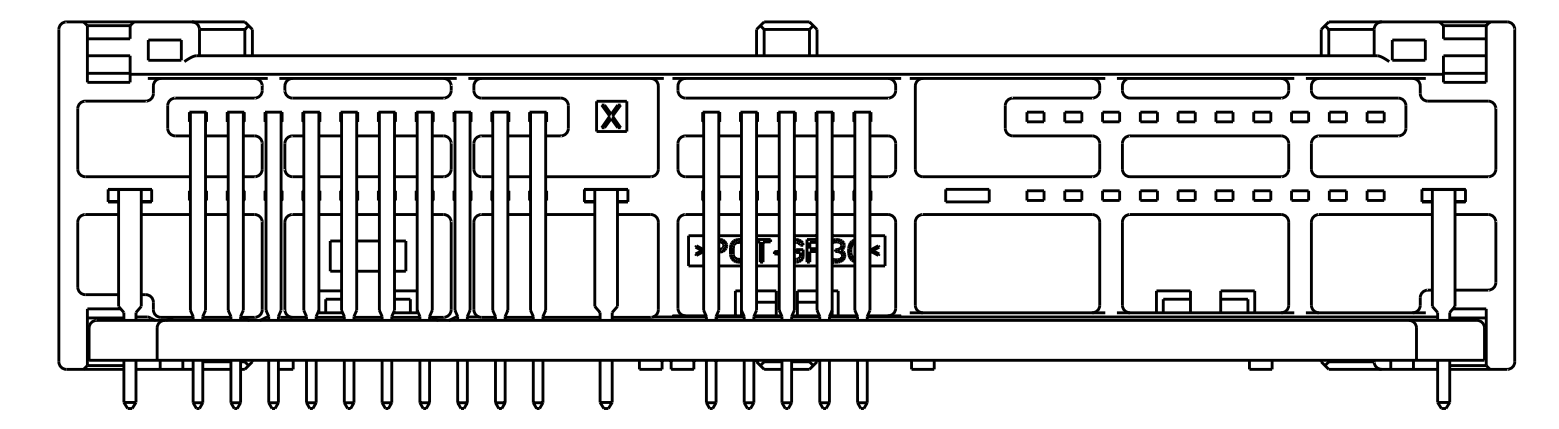
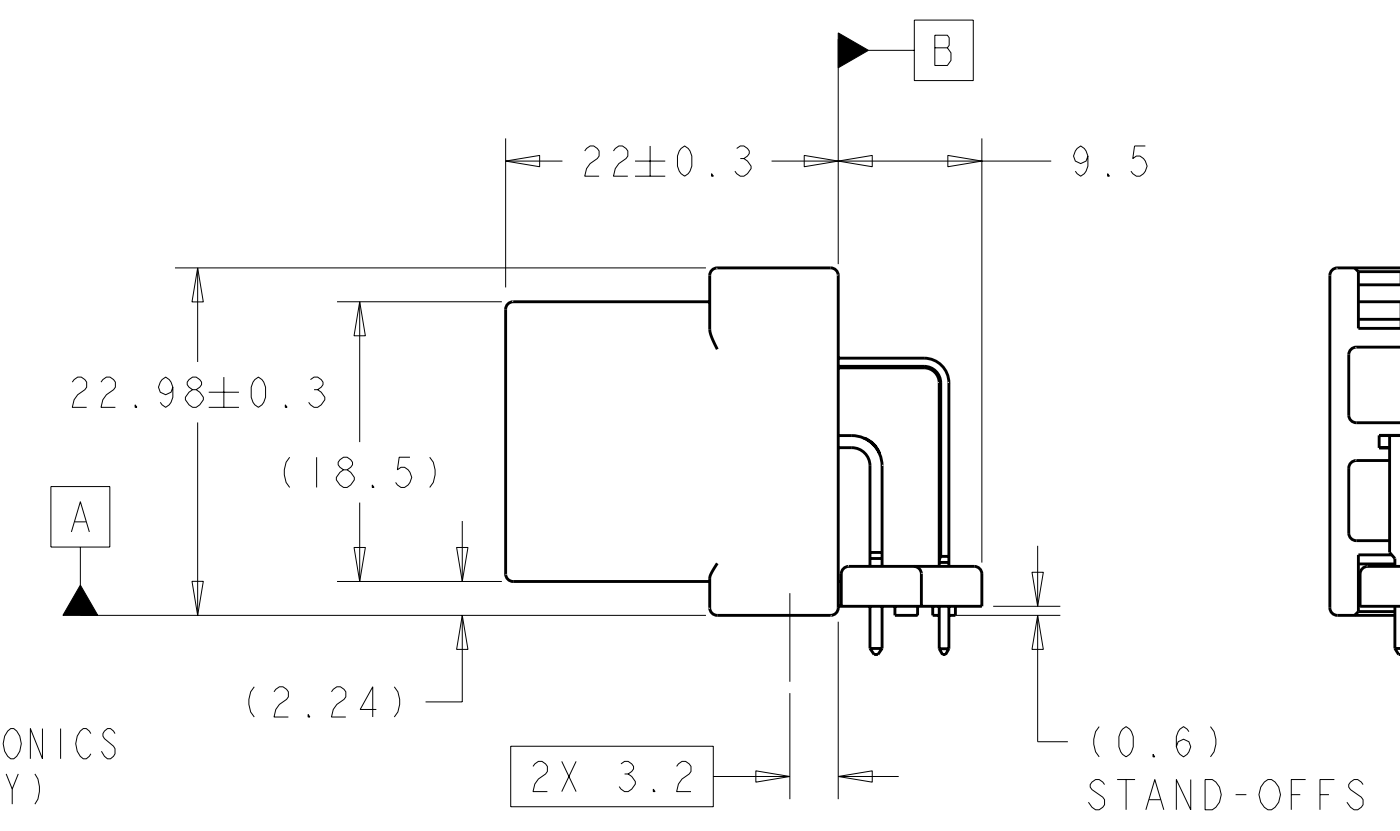
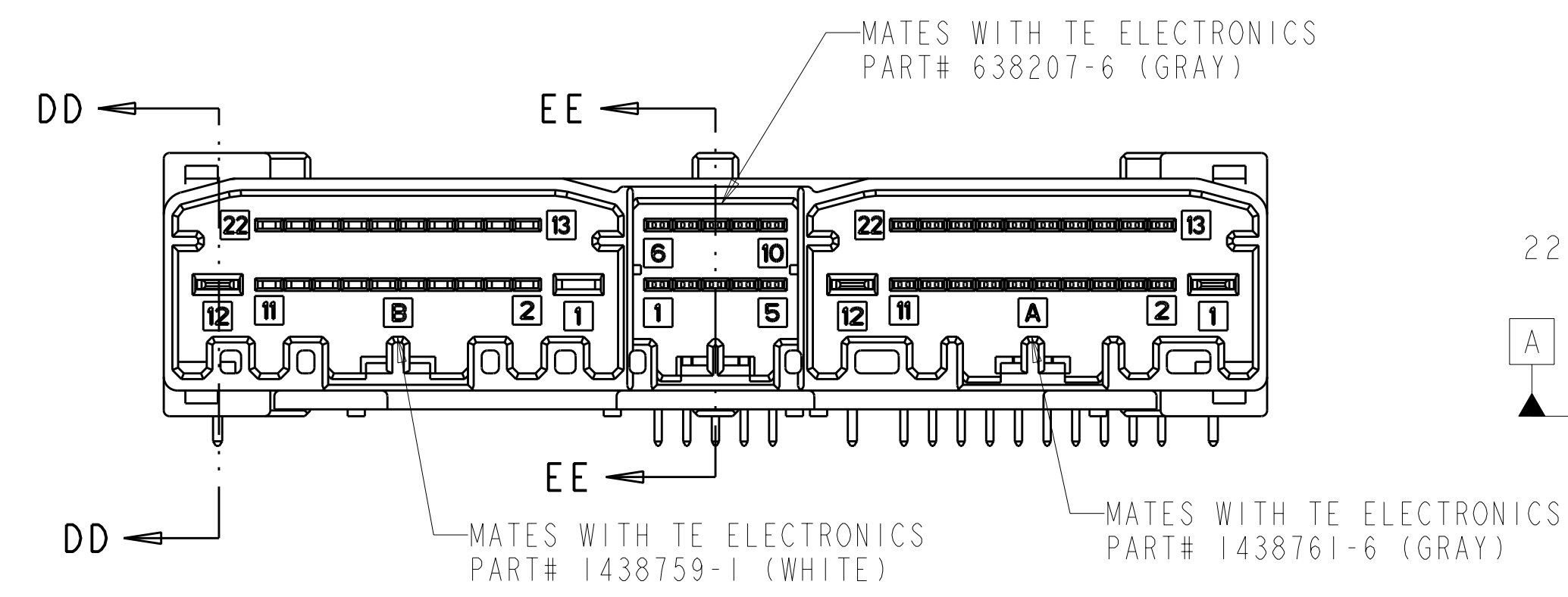


LOC	DIST	REV	DATE	BY	APP'D
FX	00	A	17DEC2008	DLD	MHB
		A1	19JAN2009	DLD	MHB
		A2	05MAR2009	DLD	MHB
		A3	17JUN2010	VSS	MB



⚠ MARK DATE CODE IN APPROXIMATE LOCATION.

PC BOARD LAYOUT  
CONNECTOR SIDE  
(RECOMMENDED BOARD THICKNESS 1.57mm)



PCT	GRAY	BRASS	POST-TIN	PCT	GRAY	9-2035371-6																																											
MATERIAL	FINISH	MATERIAL	FINISH	MATERIAL	COLOR	PART NUMBER																																											
TINE PLATE		CONTACT		HOUSING																																													
<table border="1"> <tr> <td>DIMENSIONS:</td> <td>TOLERANCES UNLESS OTHERWISE SPECIFIED:</td> <td>DWN DL DRUMMOND 17DEC2008</td> <td rowspan="2">  Tyco Electronics Harrisburg, PA 17105-3608                 </td> </tr> <tr> <td>mm</td> <td>9 PLC ±0.0 1 PLC ±0.3 5 PLC ±0.10 4 PLC ± ANGLES ±°</td> <td>CHK MH BANAS 17DEC2008</td> </tr> <tr> <td>MATERIAL</td> <td>FINISH</td> <td>APVD MH BANAS 17DEC2008</td> <td>NAME</td> </tr> <tr> <td>SEE TABLE</td> <td>SEE TABLE</td> <td>PRODUCT SPEC</td> <td>33-WAY (DE-POPULATED 54-WAY) HYBRID, 040, 2.8 PINS DOWN, CAP ASSEMBLY</td> </tr> <tr> <td></td> <td></td> <td>APPLICATION SPEC</td> <td>SIZE</td> </tr> <tr> <td></td> <td></td> <td>WEIGHT</td> <td>114-13158</td> </tr> <tr> <td></td> <td></td> <td>CUSTOMER DRAWING</td> <td>00779</td> </tr> <tr> <td></td> <td></td> <td></td> <td>C=2035371</td> </tr> <tr> <td></td> <td></td> <td></td> <td>SCALE 2:1</td> </tr> <tr> <td></td> <td></td> <td></td> <td>SHEET 1 OF 1</td> </tr> <tr> <td></td> <td></td> <td></td> <td>REV A3</td> </tr> </table>							DIMENSIONS:	TOLERANCES UNLESS OTHERWISE SPECIFIED:	DWN DL DRUMMOND 17DEC2008	Tyco Electronics Harrisburg, PA 17105-3608	mm	9 PLC ±0.0 1 PLC ±0.3 5 PLC ±0.10 4 PLC ± ANGLES ±°	CHK MH BANAS 17DEC2008	MATERIAL	FINISH	APVD MH BANAS 17DEC2008	NAME	SEE TABLE	SEE TABLE	PRODUCT SPEC	33-WAY (DE-POPULATED 54-WAY) HYBRID, 040, 2.8 PINS DOWN, CAP ASSEMBLY			APPLICATION SPEC	SIZE			WEIGHT	114-13158			CUSTOMER DRAWING	00779				C=2035371				SCALE 2:1				SHEET 1 OF 1				REV A3
DIMENSIONS:	TOLERANCES UNLESS OTHERWISE SPECIFIED:	DWN DL DRUMMOND 17DEC2008	Tyco Electronics Harrisburg, PA 17105-3608																																														
mm	9 PLC ±0.0 1 PLC ±0.3 5 PLC ±0.10 4 PLC ± ANGLES ±°	CHK MH BANAS 17DEC2008																																															
MATERIAL	FINISH	APVD MH BANAS 17DEC2008	NAME																																														
SEE TABLE	SEE TABLE	PRODUCT SPEC	33-WAY (DE-POPULATED 54-WAY) HYBRID, 040, 2.8 PINS DOWN, CAP ASSEMBLY																																														
		APPLICATION SPEC	SIZE																																														
		WEIGHT	114-13158																																														
		CUSTOMER DRAWING	00779																																														
			C=2035371																																														
			SCALE 2:1																																														
			SHEET 1 OF 1																																														
			REV A3																																														