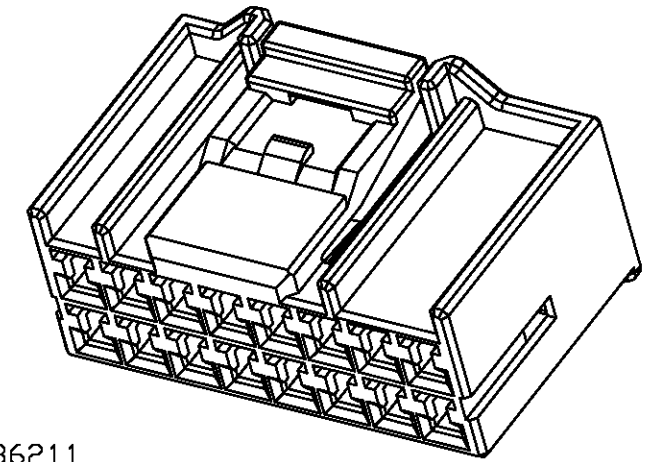
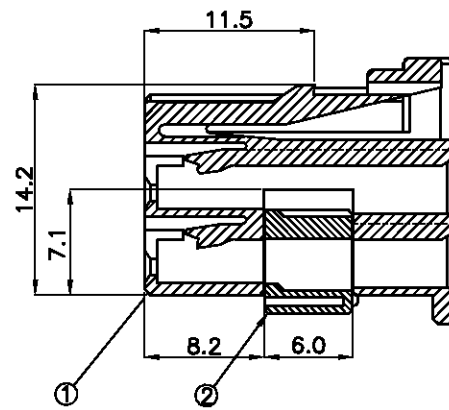
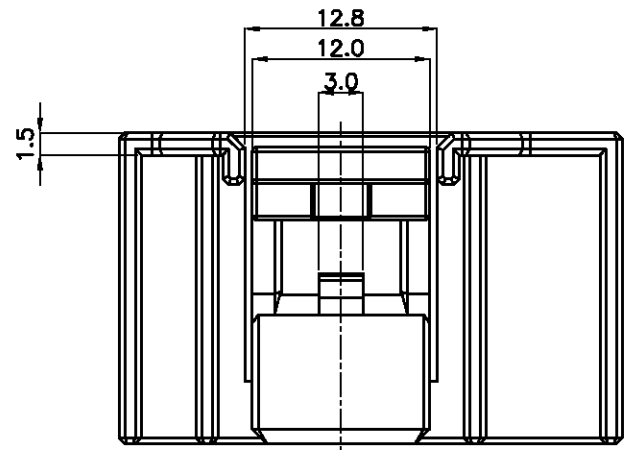


THIS DRAWING IS UNPUBLISHED. RELEASED FOR PUBLICATION
 © COPYRIGHT BY _____ ALL RIGHTS RESERVED.

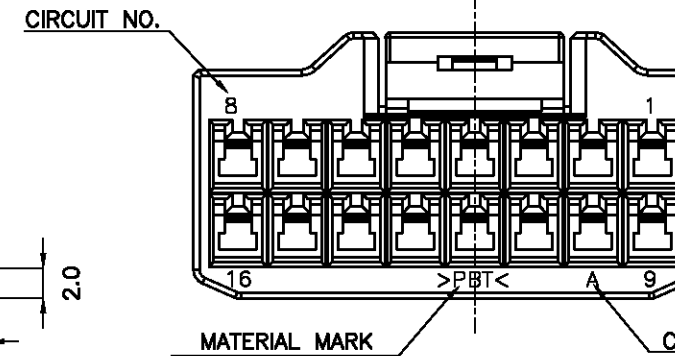
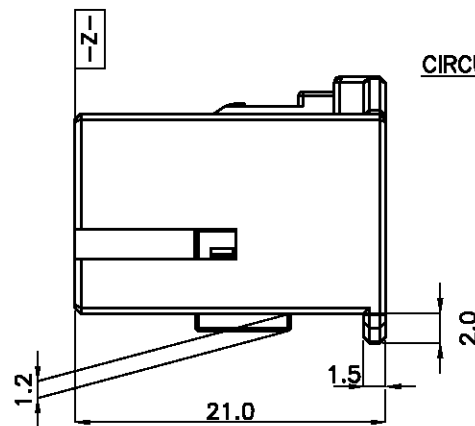
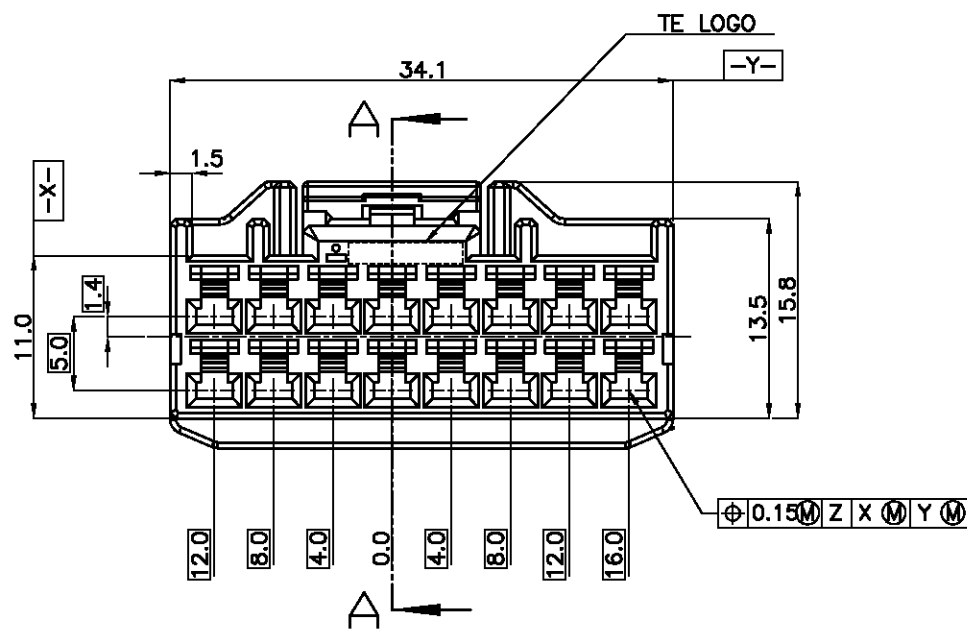
LOC	DIST	REVISIONS					
		P	LTR	DESCRIPTION	DATE	DWN	APVD
DS	-		B1	REVISED PER ECO-11-005139	28MAR11	RK	HMR



- NOTES.
- THE MATING HSG. P/N ; 936211
 - APPLIED CONTACT P/N ;
 090 II REC. - 368083, 368084, 368085
 090 III REC. - 1743654, 1743655, 1743656, 1897753, 1897598

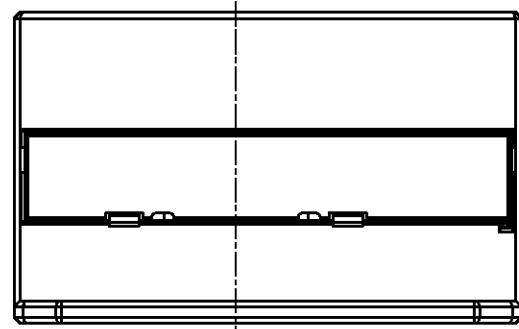
- 추가-
- 상대 하우징 P/N. ; 936211
 - 적용단자 P/N. ; 090 II REC.- 368083,368084,368085
 090 III REC.- 1743654,1743655,1743656,1897753,1897598

SECTION A-A



ASSY P/N	①	②	③	④	⑤	⑥	⑦	⑧	⑨	⑩	⑪	⑫	⑬	⑭	⑮	⑯
0-936201-8																
0-936201-7																
0-936201-6																
0-936201-5																
0-936201-4																
0-936201-3																
0-936201-2																
0-936201-1																

NO	COLOR	MATERIAL	DESCRIPTION	QTY
1	BLUE	PBT	PLUG	1
	GREEN	PBT	PLUG	1
	RED	PBT	PLUG	1
	YELLOW	PBT	PLUG	1
	BROWN	PBT	PLUG	1
	D/GRAY	PBT	PLUG	1
	BLACK	PBT	PLUG	1
	NATURAL	PBT	PLUG	1
2	NATURAL	PBT	DBL	1 1 1 1 1 1 1 1



DIMENSIONS: MM	TOLERANCES UNLESS OTHERWISE SPECIFIED: 0 <XX<10 ± 0.2 10<XX<30 ± 0.25 30<XX ± 0.3 ANGLES ± 3°	DWN SH JANG	TE Connectivity 090III 16P PLUG ASS'Y
		CHK JW JUNG	
MATERIAL SEE TABLE	FINISH	APVD HG CHD	NAME
		PRODUCT SPEC -	SIZE CAGE CODE DRAWING NO RESTRICTED TO
		APPLICATION SPEC -	A3 00779 C=936201
		WEIGHT -	SCALE 2/1 SHEET 1 OF 1 REV B1
		CUSTOMER DRAWING	