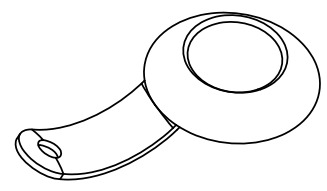
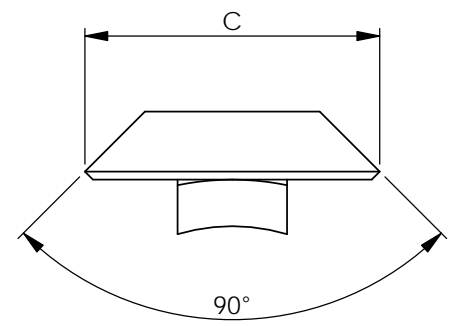
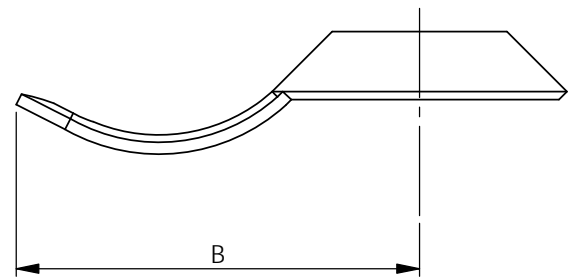
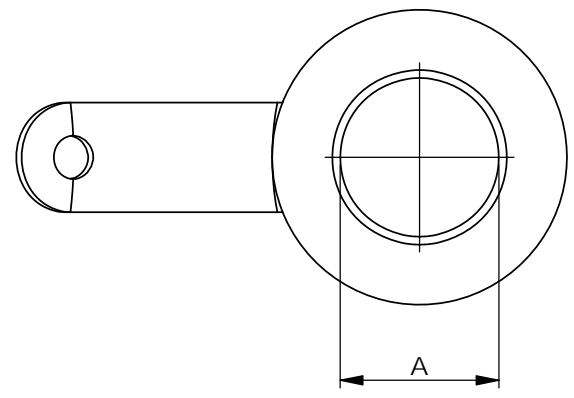


A B C D E F

NOTES:
 1) STANDARD PACK QUANTITY: 1000.
 2) ALL PRIMARY DIMENSIONS IN mm,
 SECONDARY DIMENSIONS IN INCHES.

REV.	MODIFICATION.	DATE	DRN
A	PROPOSAL DRAWING	28/07/03	I.C
01	PRODUCTION RELEASE	17/12/03	I.C
02	PACK SIZE WAS 1000	19/08/04	NJB
03	SCN 2004-084	01/09/04	NJB
04	PART NO. UPDATED	02/09/04	NJB
05	SCN 2004-085	03/09/04	NJB
06	ECN 06-262	13/12/06	SF
07	ECN 07-219	06/12/07	NJB
08	CO2010161	27/03/08	SF
09	CO2011298	11/12/12	SF



Notes:

- 1) Material and RMS numbers are as follows:
 .03 thick Brass (RMS-373)
 Tin Plating (RMS-246)

INFORMATION CONTAINED IN THIS DOCUMENT IS CONFIDENTIAL TO RICHCO INTERNATIONAL Co. Ltd. AND MAY NOT BE DISCLOSED OR REPRODUCED IN WHOLE OR PART WITHOUT THEIR WRITTEN CONSENT

RICHCO, INC. WWW.RICHCO-INC.COM	METRIC GENERAL TOLERANCES ±0.40 ARE PRIMARY UNLESS OTHERWISE STATED 1 DECIMAL PLACE ± 2 DECIMAL PLACES ± ANGULAR ±1°
	IMPERIAL GENERAL TOLERANCES ±0.015 ARE FOR REFERENCE UNLESS OTHERWISE 1 DECIMAL PLACE ± 2 DECIMAL PLACES ± ANGULAR ±1°

PART NUMBER	A	B	C
FG-1	∅4.2 ±0.25	10.7(REF)	∅7.8

MATERIAL: SEE NOTES		COLOUR:	
TITLE: GROUNDING FINGER		PART No: SEE TABLE	
DRG No: 2003-280	NPR REF: 2003-284	SIZE A4	
DRN I.C	DATE 28/07/03		CHKD NJB
SCALE 5:1		SHEET No 1 OF 1	

A B C D E F