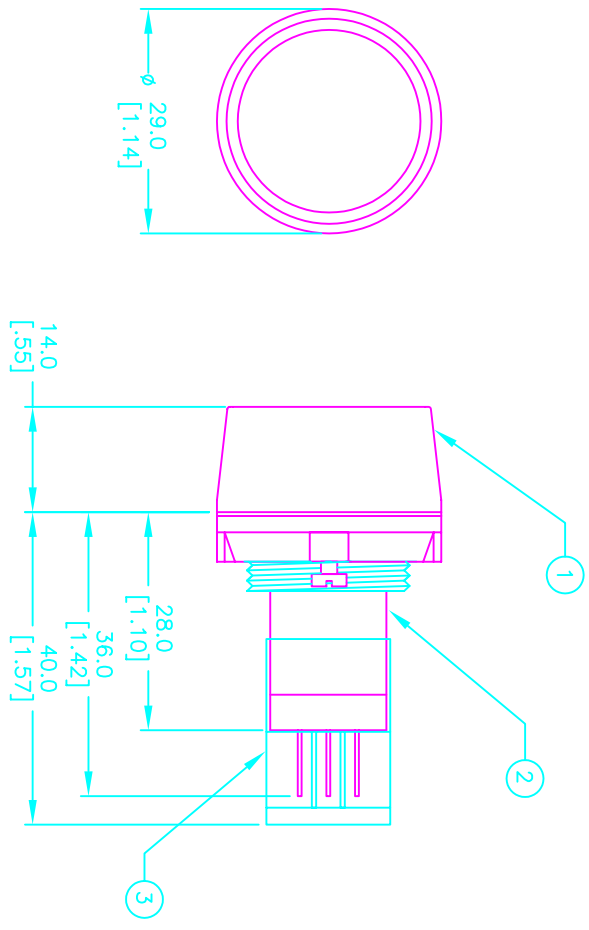


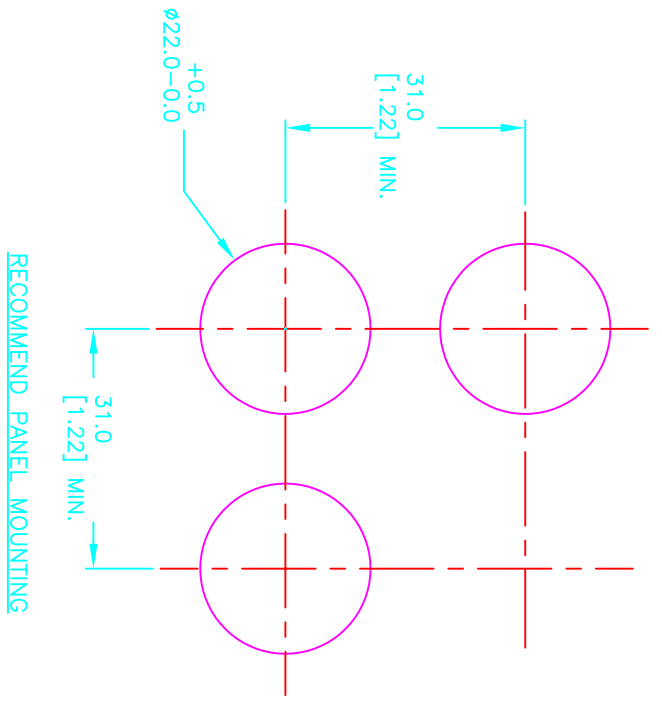
PART LIST		Part No.
Item	Qty.	Dwg. No.
1	1	F051701
2	1	F060622
3	1	F051601
-	1	F060295

		29mm RING FOR LA SERIES
		LAKOAU110 (Body)
		P16 PLASTIC TERMINAL PROTECTOR
		29mm RED LENS



1 o 2
 3 o 4
 a-L-b (+)

CONTACT CONFIGURATION



RECOMMEND PANEL MOUNTING

- NOTES:
1. ALL DIMENSIONS IN MM [INCH]
 2. GENERAL TOLERANCE: 0.0=±0.4
0.00=±0.25
 3. TERM. NOS. FOR REF. ONLY

REV.	ECN No.	DESCRIPTION	DATE	CHKD
B	16330	CHNGD ITEM 2 DF PARTS LIST	8/16/06	BD
A	13102	RELEASED FOR PRODUCTION	5/1/03	AR

E-SWITCH®

LAKDAU110RED

TITLE

SCALE 1:1 DATE 5/1/03 DR AR DWG XF0281P REV B

THE INFORMATION CONTAINED IN THIS DOCUMENT IS PROPRIETARY TO E-SWITCH AND IS NOT TO BE COPIED OR TRANSFERRED