



# LUXEON Rebel

Reliable high-power LED that gives you the design flexibility and performance you need



LUXEON Rebel LEDs deliver optimized combinations of light quality and light output needed for a variety of lighting applications. In addition to delivering specified correlated color temperature and color rendering combinations, these emitters deliver the efficacy, lifetime and reliability that all LUXEON LEDs are renowned for.

## FEATURES AND BENEFITS

- Specified CCT & CRI combinations
- 1/4<sup>th</sup> ANSI binning
- High efficacy for sustainable design
- More light delivered at operating temperature
- Exceeds ENERGY STAR® lumen maintenance requirements
- UL-recognized component [E352519]

## PRIMARY APPLICATIONS

- Downlights
- Outdoor
- Specialty Lighting

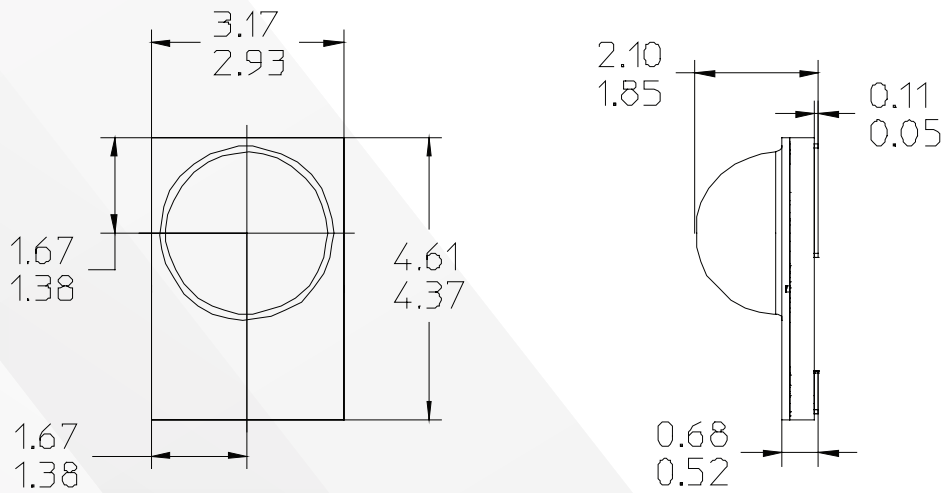
LUXEON Rebel product performance at 350mA,  $T_j=25^{\circ}\text{C}$ .

NOMINAL CCT [2]	MINIMUM CRI	LUMINOUS FLUX <sup>(1)</sup> (lm)		TYPICAL LUMINOUS EFFICACY (lm/W)	PART NUMBER
		MINIMUM	TYPICAL		
2700K	80	65	73	65	LXM3-PW81
3000K	80	66	77	69	LXM3-PW71
3500K	80	67	80	71	LXM3-PW61
4000K	80	75	85	76	LXM3-PW51

Notes:

1. Lumileds maintains a tolerance of  $\pm 6.5\%$  on flux measurements.
2. Correlated color temperature is based upon mounted die on highly reflective surface at  $T_j=25^{\circ}\text{C}$ .

Mechanical Dimensions.



Notes:

1. Drawings are not scale.
2. All dimensions are in millimeters.