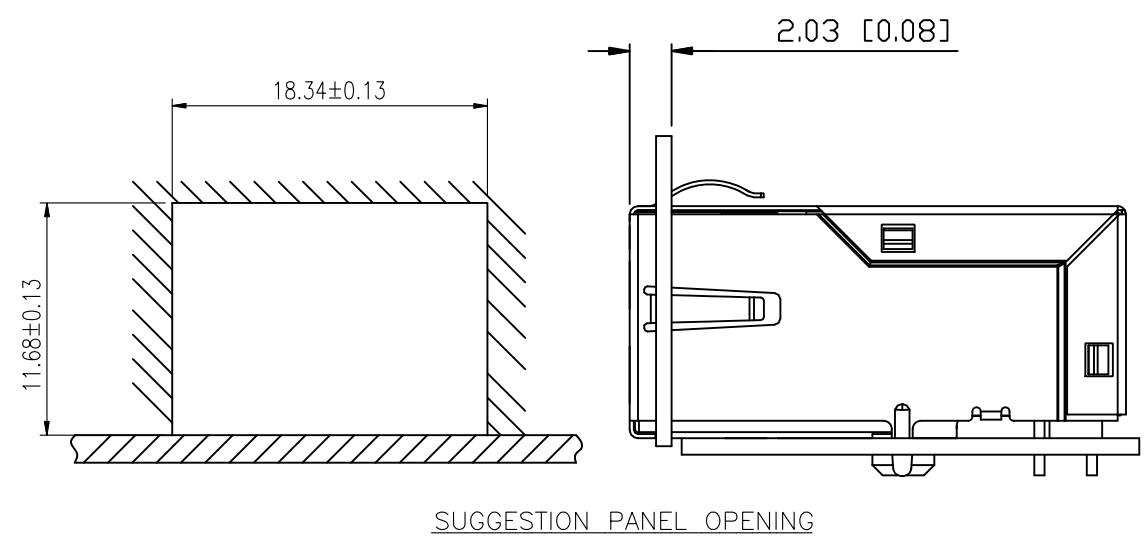
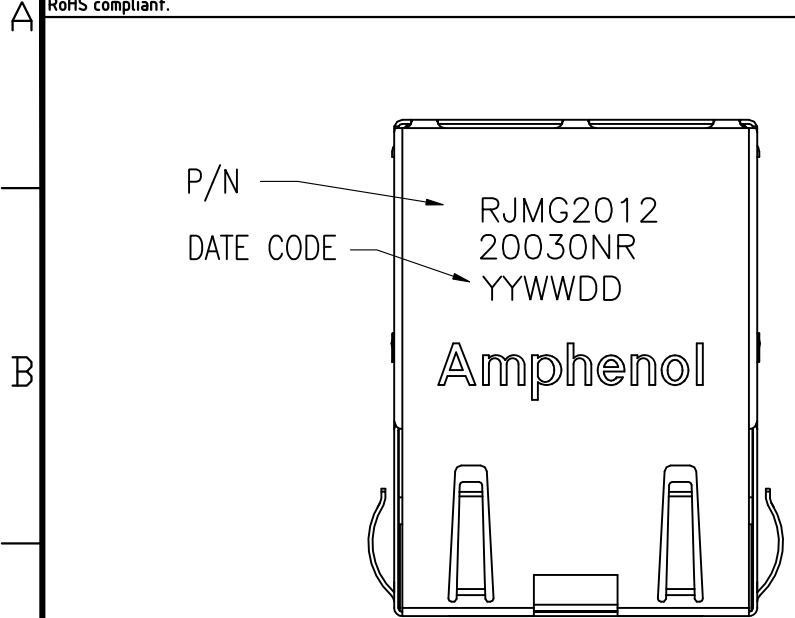


This document is the property of Amphenol Corporation and is delivered on the express condition that is not to be disclosed, reproduced or used, in whole or in part, for manufacture or sale by anyone other than Amphenol Corporation without its prior consent, and that no right is granted to disclose or to use any information in this document.

The marking on this product doesn't contain environmental hazardous materials per Material Specification SS-00259 for Sony GP compliant or per directive 2011/65/EU for RoHS compliant.

CUSTOMER DRAWING

REVISIONS				
SYM	ECN No.	DESCRIPTION	DATE	APPROVED
B		RELEASE THE NEW STRUCTURE	01/08/2010	Greg L
CX1		UPDATE SIZE	11/21/2014	Roger Tsai



MATERIALS:

INSULATOR: THERMOPLASTIC POLYESTER
 COLOR: BLACK
 FLAMMABILITY RATING UL 94V-0

CONTACTS (RJMG): PHOSPHOR BRONZE
 PLATING: GOLD 30u" PLATING ON MATING SURFACES.
 120 MICROINCHES PURE TIN ON TAILS.

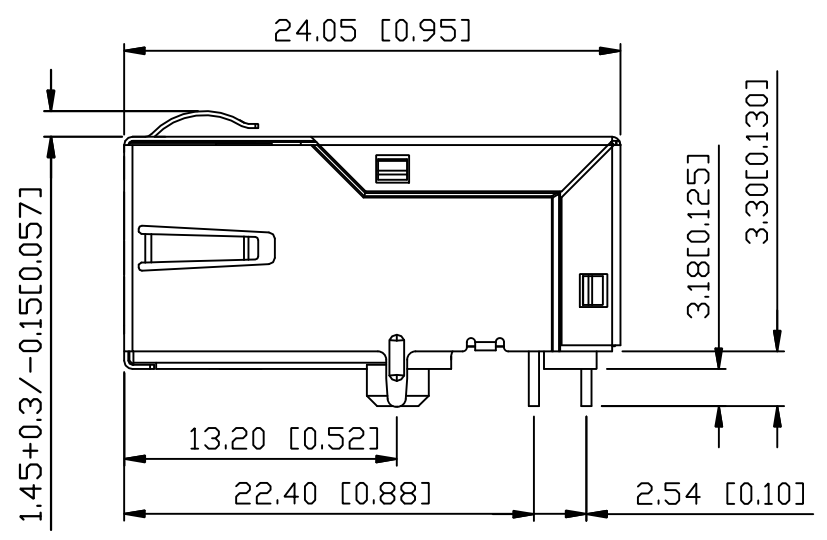
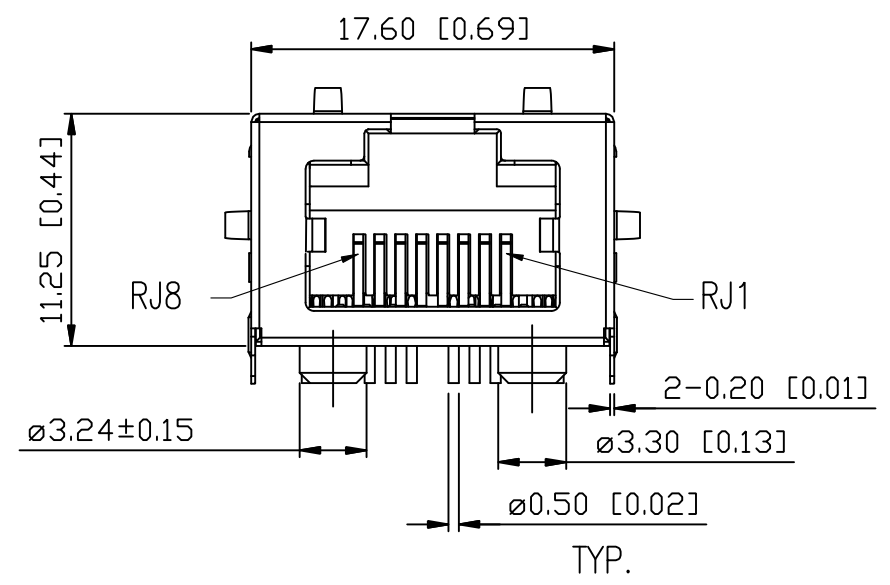
SHIELD: STAINLESS T=0.2mm.
 ALL GROUND PIN: PRE-SOLDERING

MECHANICAL FEATURES:

SOLDERABILITY: MIL-STD-202, METHOD 208.
 MATING/UNMATING FORCE:
 RJ PORT MATING/UNMATING 2.1Kg MAX
 RETENTION FORCE FOR RJ PORT: 5Kg FOR 1 MINUTE
 PACKAGING: 60PCS/PLASTIC TRAY, 11 TRAYS/CARTON
 MEET FCC PART 68.500 REQUIREMENTS.

Environmental

OPERATING TEMPERATURE: -40°C TO +85°C.
 STORAGE TEMPERATURE: -40°C TO +85°C.
 WAVE SOLDERING TEMPERATURE: 260°C FOR 10 SECONDS
 ALTITUDE OPERATING RANGE: SEA LEVEL TO 3000m
 Humidity: per MIL-STD-1344A, method 1002.1, test condition B
 Thermal Shock: per MIL-STD-1344A, method 1003.1, test condition A
 Vibration: per MIL-STD-1344A, method 2005.1, test condition J
 Mechanical Shock: per MIL-STD-1344A, method 2004.1, test condition C



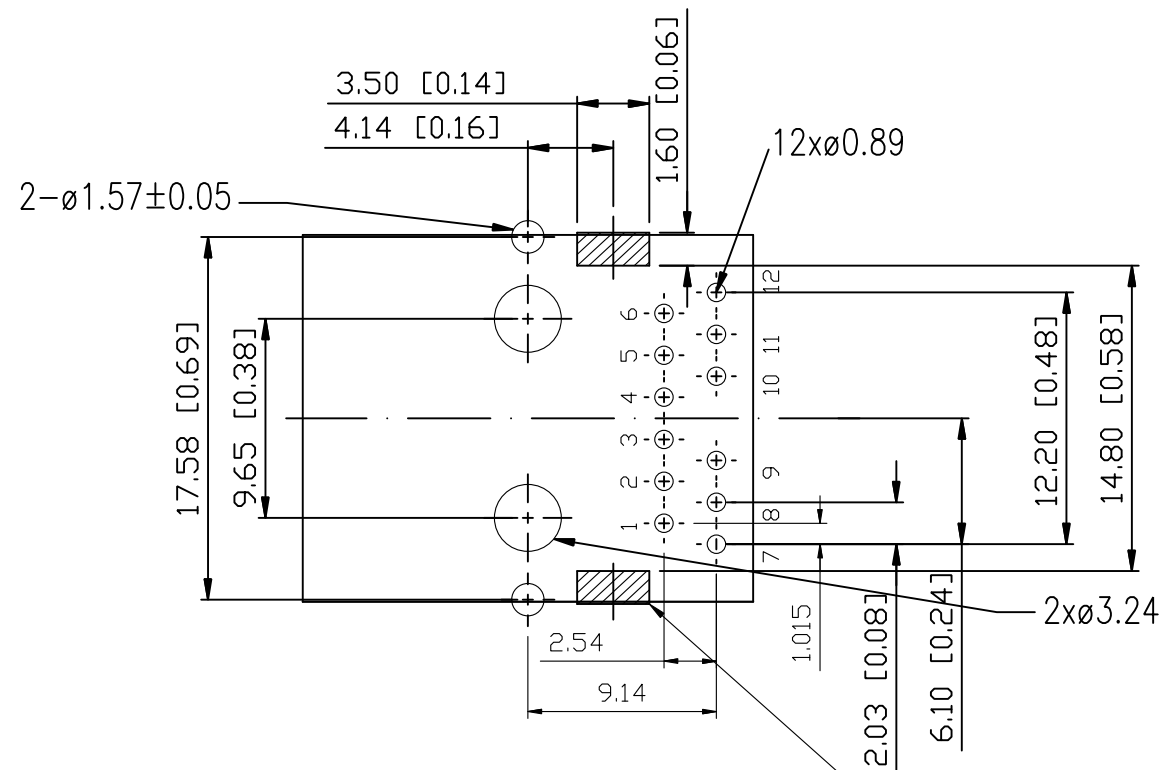
TOLERANCE	APPROVALS	DATE	TITLE		Amphenol®	
X. ±0.35	DRAWN Devin Yen	08/18/2014	RJMG201X SERIES Single Port 1000 Base-T SERIES Ultra Low Profile Tab Up		Amphenol Corporation Amphenol Taiwan Corporation	
X.X ±0.25	CHECKED Vivian Wen	08/18/2014				
X.XX ±0.15	APPROVED Roger Tsai	08/18/2014		UNIT mm	SIZE A3	PART No. RJMG201220030NR
X.XXX ±0.15	DWG TYPE CUST DWG	PROJECT CODE GT363		SCALE NA	SHEET 1 OF 2	DWG No. RJMG201220030NR
ANGULAR ±1°						
UNLESS OTHERWISE SPECIFIED						

This document is the property of Amphenol Corporation and is delivered on the express condition that is not to be disclosed, reproduced or used, in whole or in part, for manufacture or sale by anyone other than Amphenol Corporation without its prior consent, and that no right is granted to disclose or to use any information in this document.

The marking on this product doesn't contain environmental hazardous materials per Material Specification SS-00259 for Sony GP compliant or per directive 2011/65/EU for RoHS compliant.

CUSTOMER DRAWING

REVISIONS				
SYM	ECN No.	DESCRIPTION	DATE	APPROVED
B		RELEASE THE NEW STRUCTURE	01/08/2010	Greg L
CX1		UPDATE SIZE	11/21/2014	Roger Tsai



RECOMMENDED PCB LAYOUT
SEE FROM COMPONENT SIDE

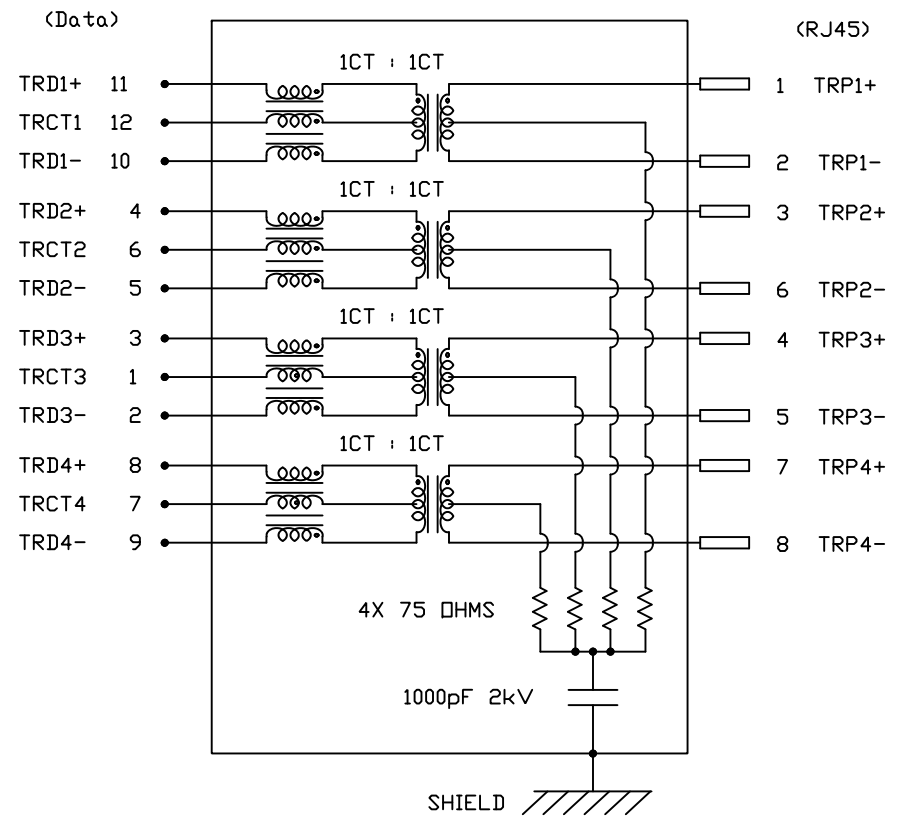
IT IS RECOMMENDED THAT SHADED AREA OF CUSTOMER PC BOARD BE CLEAR OF ANY VIA HOLE COMPONENT AND CIRCUIT TRANCE

CONNECTOR PERFORMANCE ELECTRICAL SPECIFICATION(@25° C)

PARAMETER	LIMITS (MAX. OR MIN.)	FREQUENCY RANGE/ TEST CONDITIONS
INSERTION LOSS	-0.8dB MAX.	0.1-100 MHz
	-1.2dB MAX.	100-125 MHz
RETURN LOSS	-18dB MIN.	0.5-40 MHz
	-12+20 log(f/80MHz)dB MIN.	40-100 MHz
CM-CM REJECTION	-30dB MIN.	100 KHz-100 MHz
CM-DM REJECTION	-35dB MIN.	100 KHz-100 MHz
CROSSTALK ISOLATION	-30+20 log(f/100MHz)dB MIN.	100 KHz-100 MHz
HIPOT (ISOLATION)	2250KVDC 1mA	60S
OCL	350uH MIN.	100KHz 100mV 8mA
TURN RATIO	1:1±2%	



SCHEMATIC DRAWING



TOLERANCE	APPROVALS	DATE	TITLE		PART No.	
X. X.X ±0.35 X.XX ±0.25 X.XXX ±0.15	DRAWN Devin Yen	08/18/2014	RJMG201X SERIES Single Port 1000 Base-T SERIES Ultra Low Profile Tab Up		Amphenol® Amphenol Corporation Amphenol Taiwan Corporation	
	CHECKED Vivian Wen	08/18/2014				
	APPROVED Roger Tsai	08/18/2014				
ANGULAR ±1°	DWG TYPE CUST DWG	PROJECT CODE GT363	UNIT mm	SIZE A3	PART No. RJMG201220030NR	
UNLESS OTHERWISE SPECIFIED			SCALE NA	SHEET 2 OF 2	DWG No. RJMG201220030NR	REV. CX1