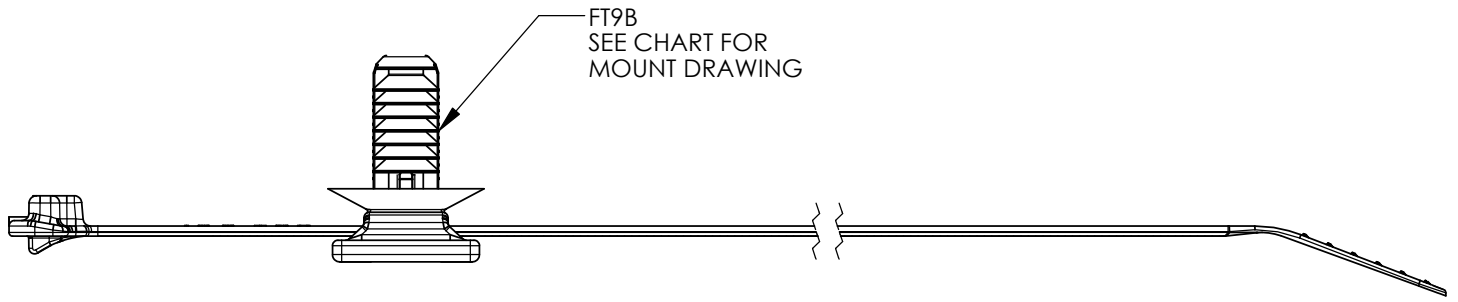
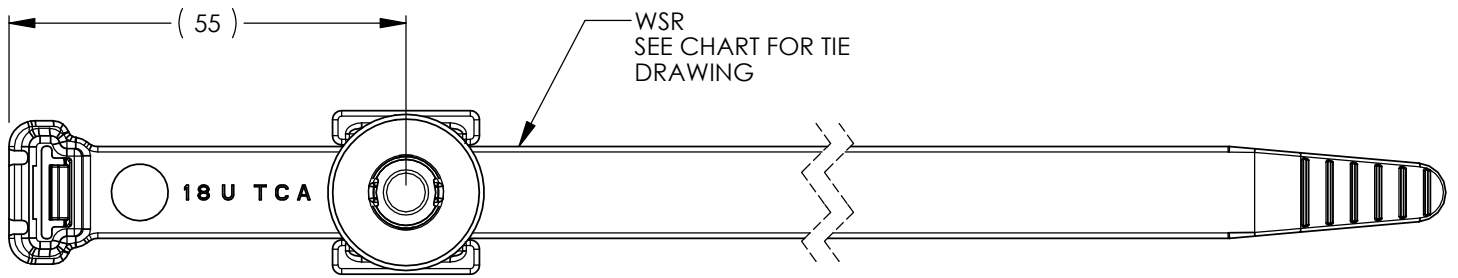


Revision level		Revision Record	Changed	Date	Approved	Date
Part	Drawing					
-	01	See ECN 010507	AAC	09/14/2006	GGG	09/14/2006



SEE INDIVIDUAL
PART DRAWINGS

PRODUCT CODE	MATERIAL	BUNDLE RANGE	TIE DRAWING	MOUNT DRAWING
WSRFT9B	PA66HIRHS	9.5 to 104.8	CT2127004CST	MT2029012CST

Material

Dimension tolerances unless otherwise specified

.xxxx = ±.013
.xxx = ±.13
.xx = ±.3
.x = ±.8
∠ = ±0.5°

Dimension Units millimeters

PERFORMANCE SPECIFICATION

SW 2006

ALL PROPRIETARY RIGHTS IN THE SUBJECT MATTER SHOWN ON THIS DRAWING ARE EXCLUSIVE PROPERTY OF HELLERMANN TYTON

Drawn	AAC	09/14/2006
Approved	GGG	09/14/2006

HellermannTyton®
Cable Management Products

7930 N. Faulkner Rd.
Milwaukee, WI 53224
Ph: (414) 355-1130
Fx: (414) 362-8338

Scale	1:1	Computer File Number	CT05-073-004CST_01
Title			
WSRFT9B T120 WIDE STRAP CABLE TIE WITH FT9B MOUNT			
Drawing-No			Format
CT05-073-004CST			AH
Sheet 1 of 1			

Product Number
Cross Reference Record

Uncontrolled Document

Pre-UNS Number System	(New) UNS Universal Number System	Customer Part Number
Product Number	Product Number	Product Number
WSRFT9B	156-00074	-

Reference Drawing Number: **CT05-073-004CST**

Issued By:	(New) UNS Product Number	Issue Date:
HellermannTyton	Universal Numbering System	February 14, 2008