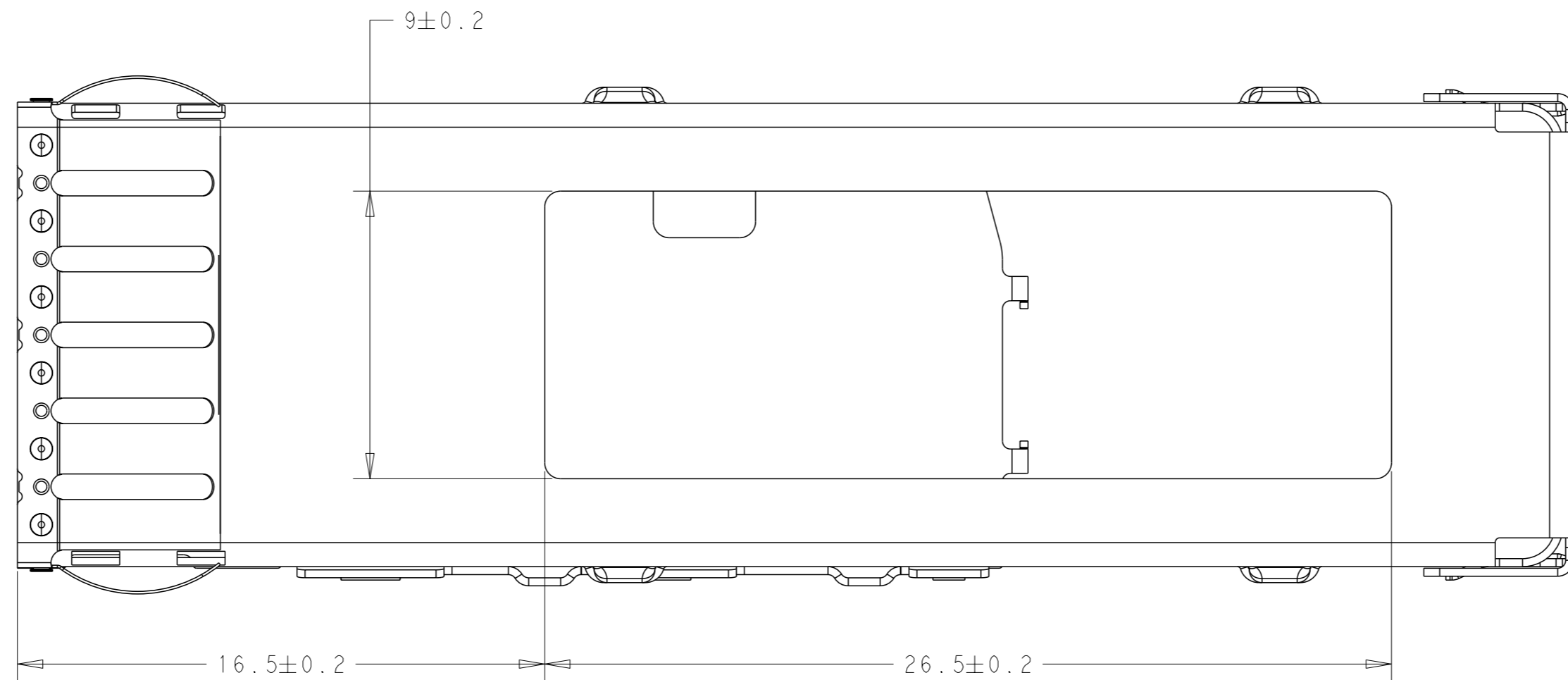
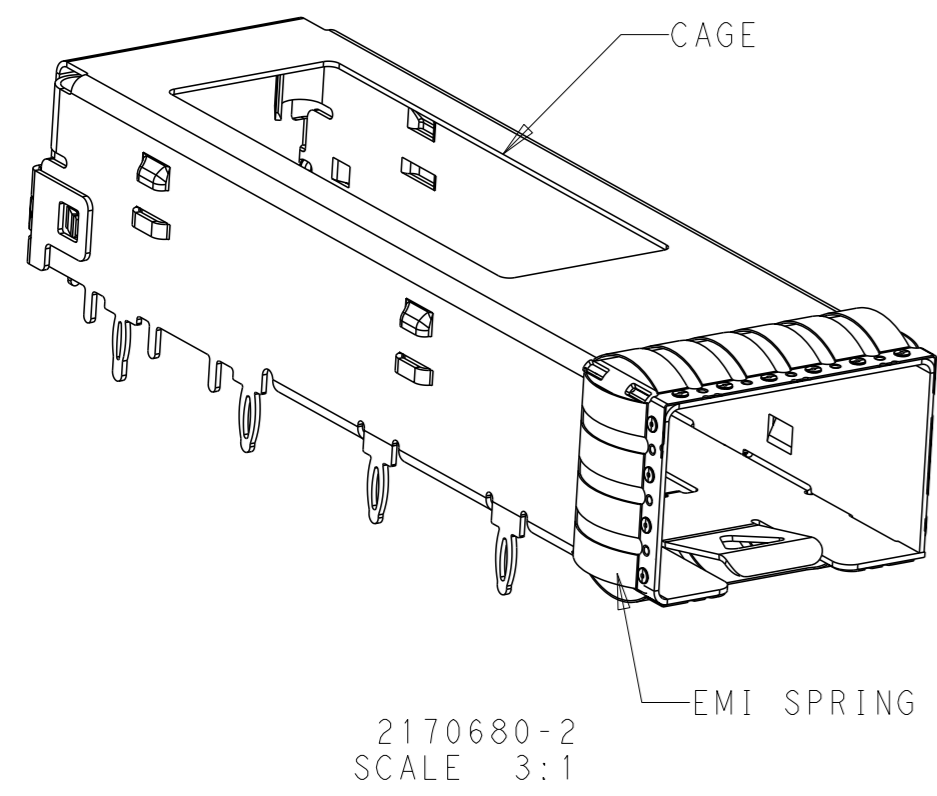
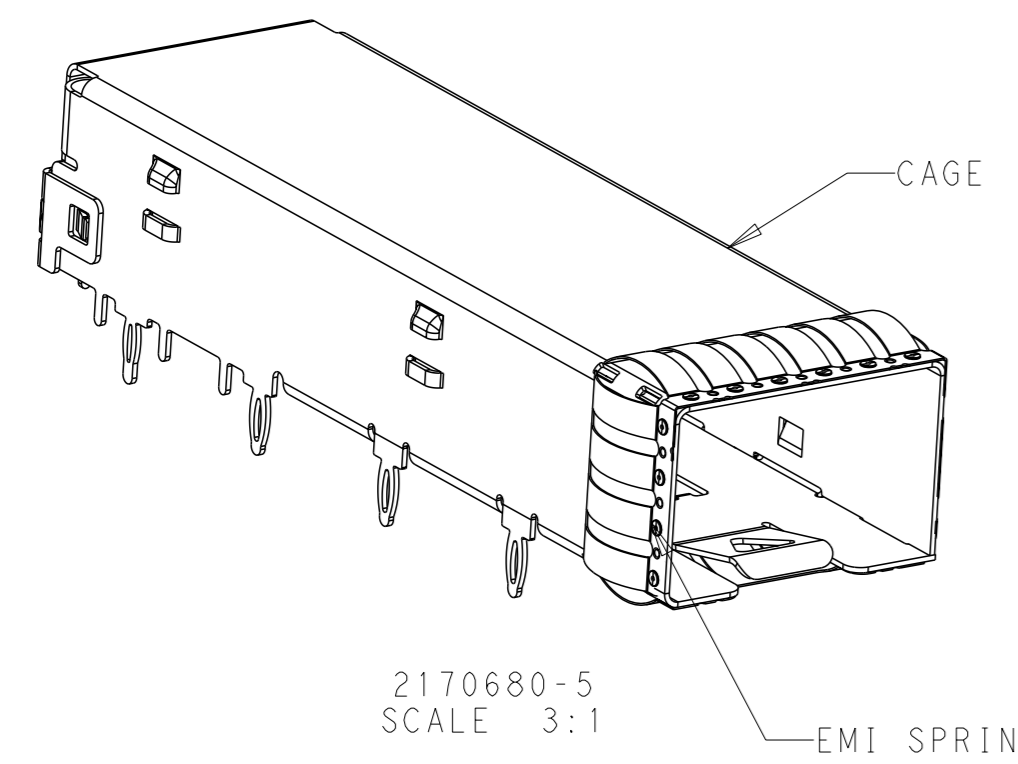
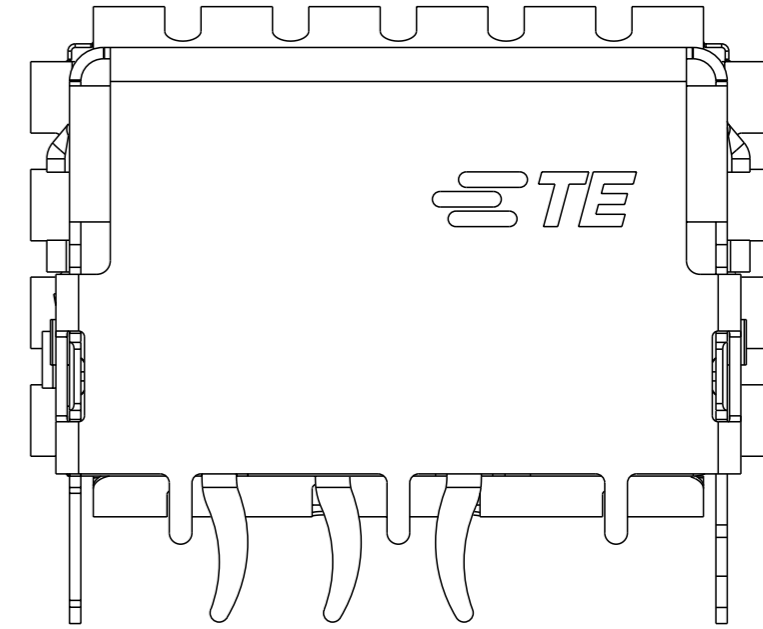
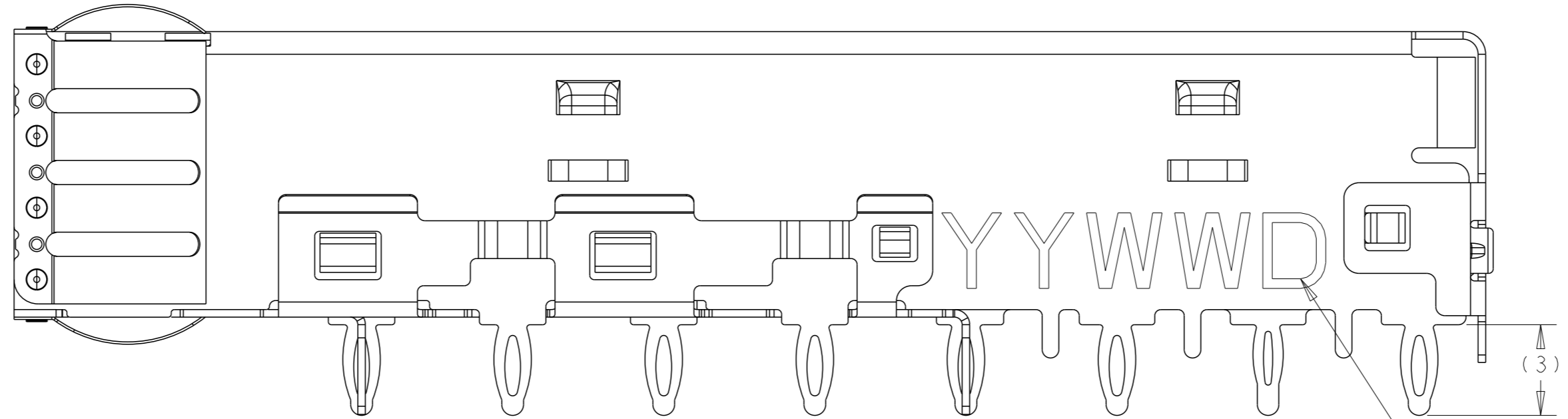
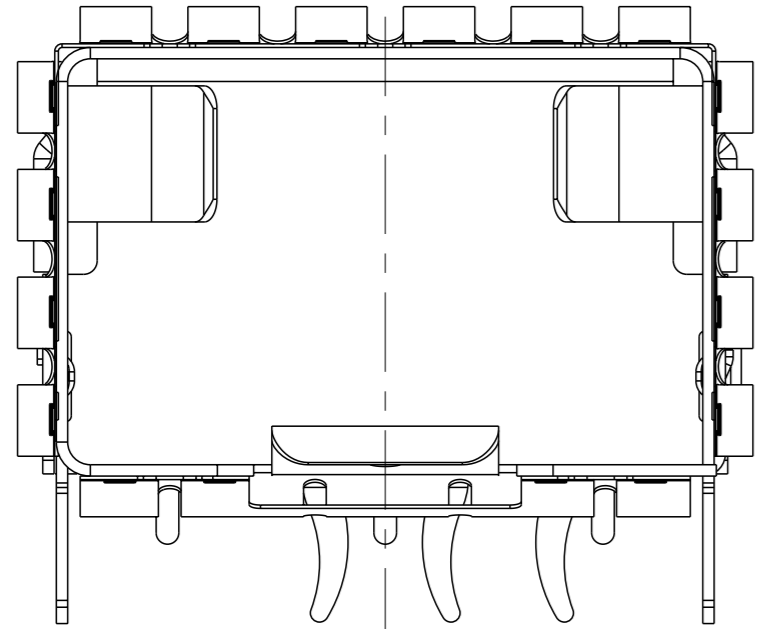
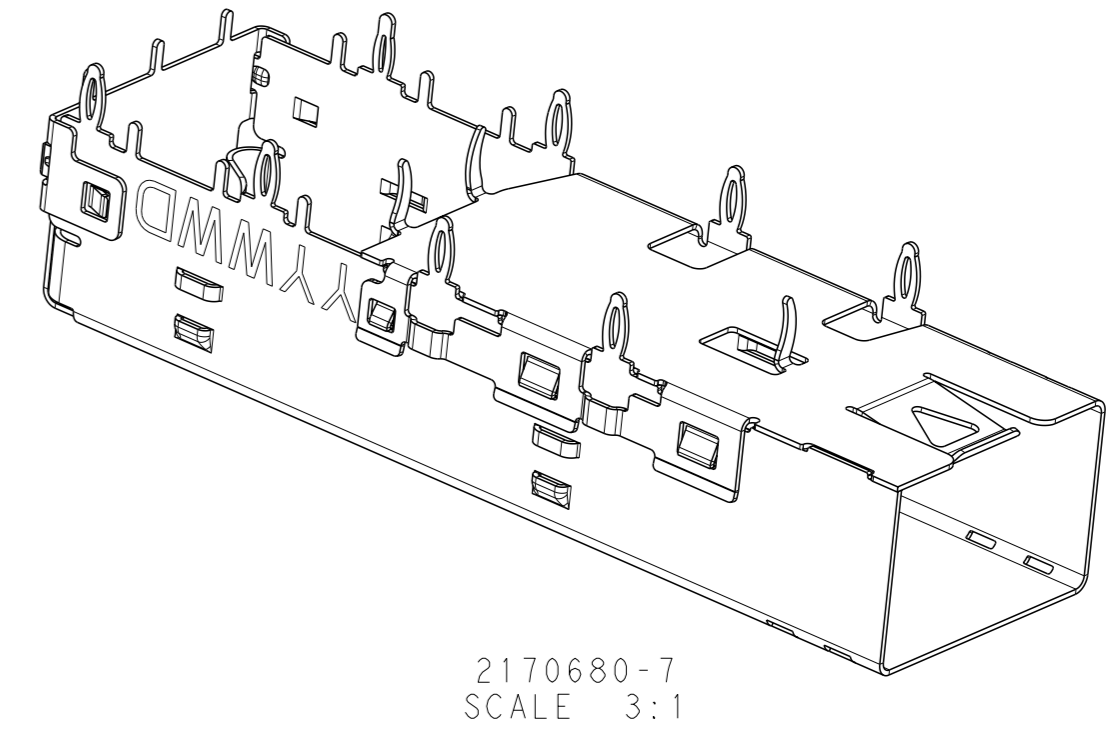
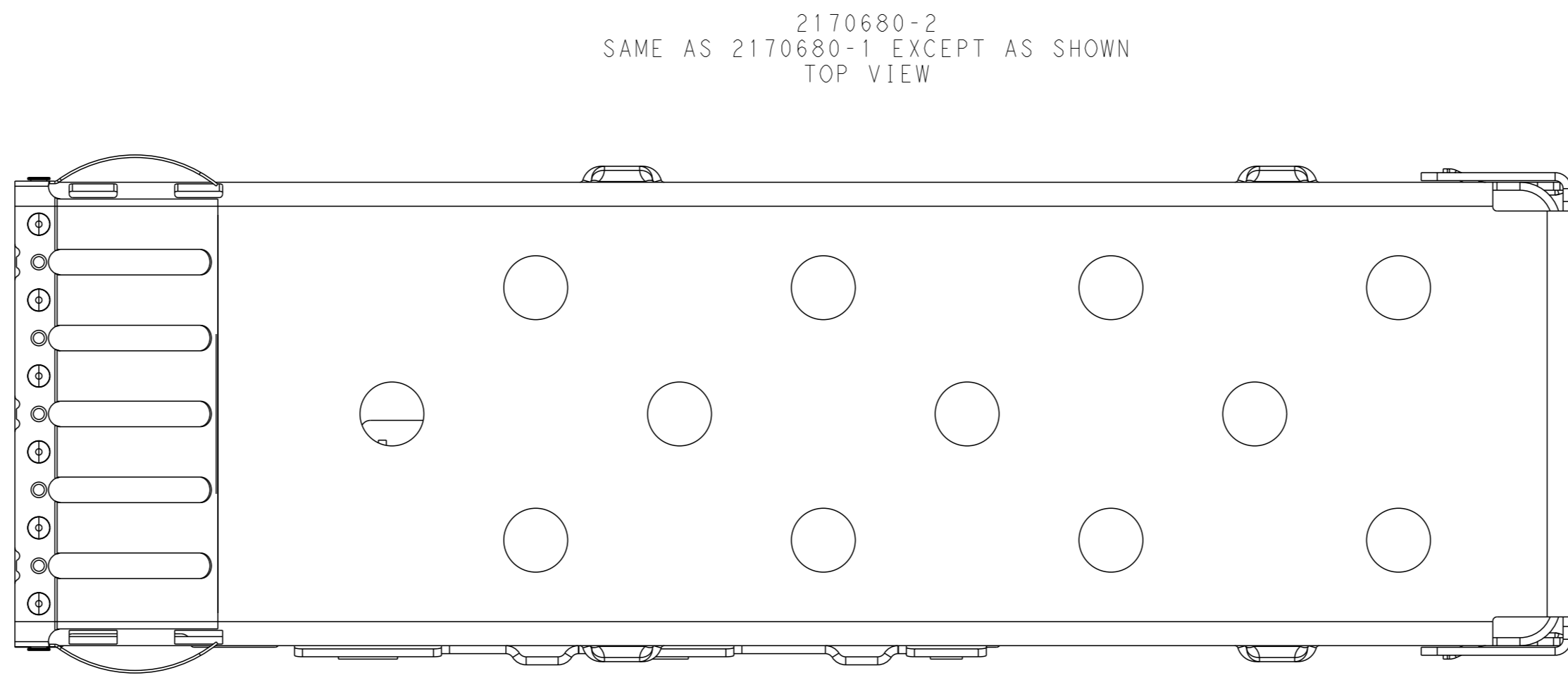
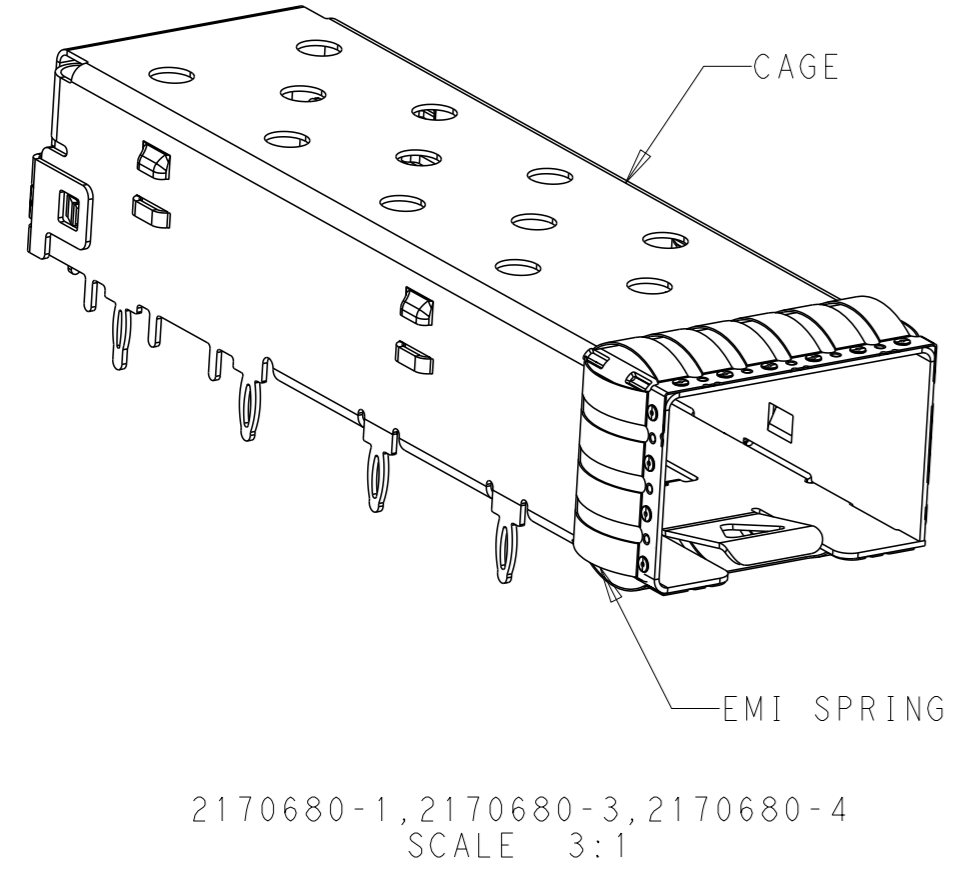


LOC		DIST		REVISIONS			
GP	00	#	LY#	DESCRIPTION	DATE	OWN	APVD
		A		MASS PRODUCTION	20DEC2015	PP	SH
		A1		REVISED PER ECO-16-002413	12JAN2016	PP	SH
		A2		ADD PIN LENGTH	15JUN2016	PP	SH
		A3		ADD-217-31	26OCT2016	PP	SH



- 1 MATERIAL:
CAGE ASSEMBLY - 0.25mm THICK NICKEL SILVER ALLOY.
EMI SPRINGS - COPPER ALLOY.
- 2 FINISH
EMI SPRINGS - 0.8um MIN NICKEL, NON-PLATED EDGES PERMISSIBLE.
- 3. MATES WITH SFP MSA COMPLIANT TRANSCEIVERS.
- 4 PADS AND VIAS CHASSIS GROUND.
- 5 DATUM AND BASIC DIMENSION ESTABLISHED BY CUSTOMER.
- 6. MINIMUM PC BOARD THICKNESS:
SINGLE SIDED = 1.50 mm
DOUBLE SIDED = 3.00 mm
- 7 REFERENCE APPLICATION SPEC. 114-13120, HOLE A, FOR RECOMMENDED DRILL HOLE DIAMETER AND PLATING THICKNESS.
- 8 REFERENCE APPLICATION SPEC. 114-13120, HOLE C, FOR RECOMMENDED DRILL HOLE DIAMETER AND PLATING THICKNESS.
- 9. NOTE DELETED
- 10 PACKAGE TYPE IS TAPE AND REEL. THE PITCH IS 28MM, REEL DIAMETER IS 380MM TAPE WIDTHE IS 72MM, PER REEL QTY IS 180PCS, 360PCS/BOX.
- 11 PACKAGE TYPE IS TAPE AND REEL. THE PITCH IS 24MM, REEL DIAMETER IS 380MM TAPE WIDTHE IS 72MM, PER REEL QTY IS 180PCS, 360PCS/BOX. THE COLOR OF POCKET TAPE IS BLACK.



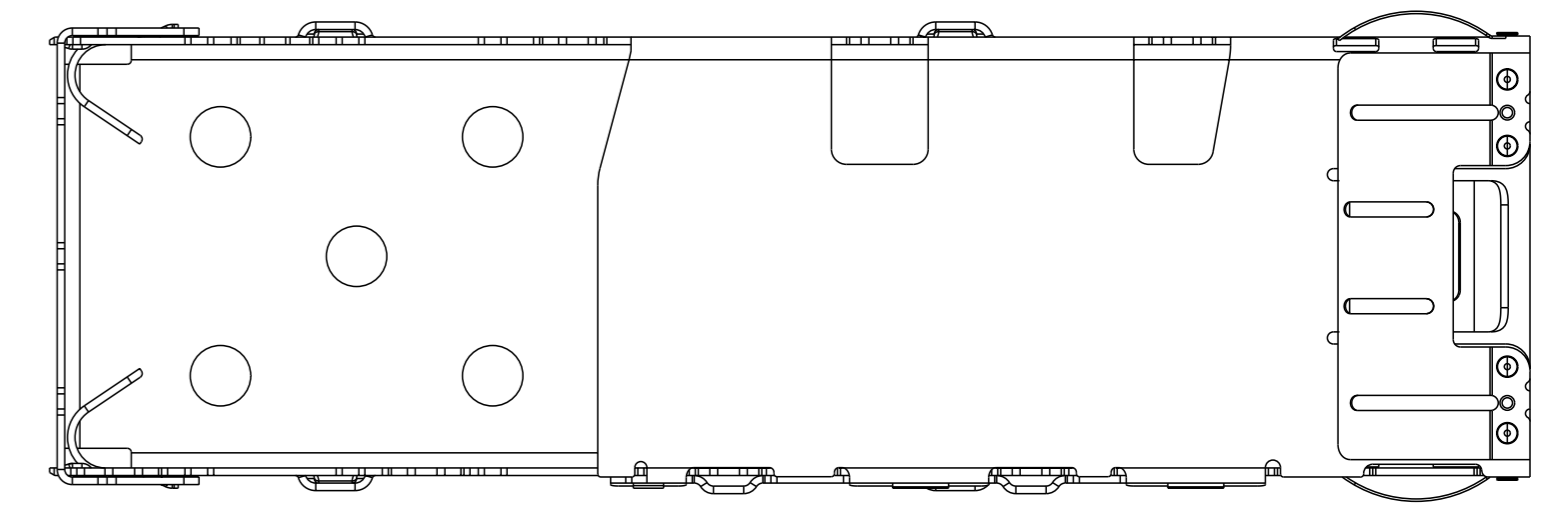
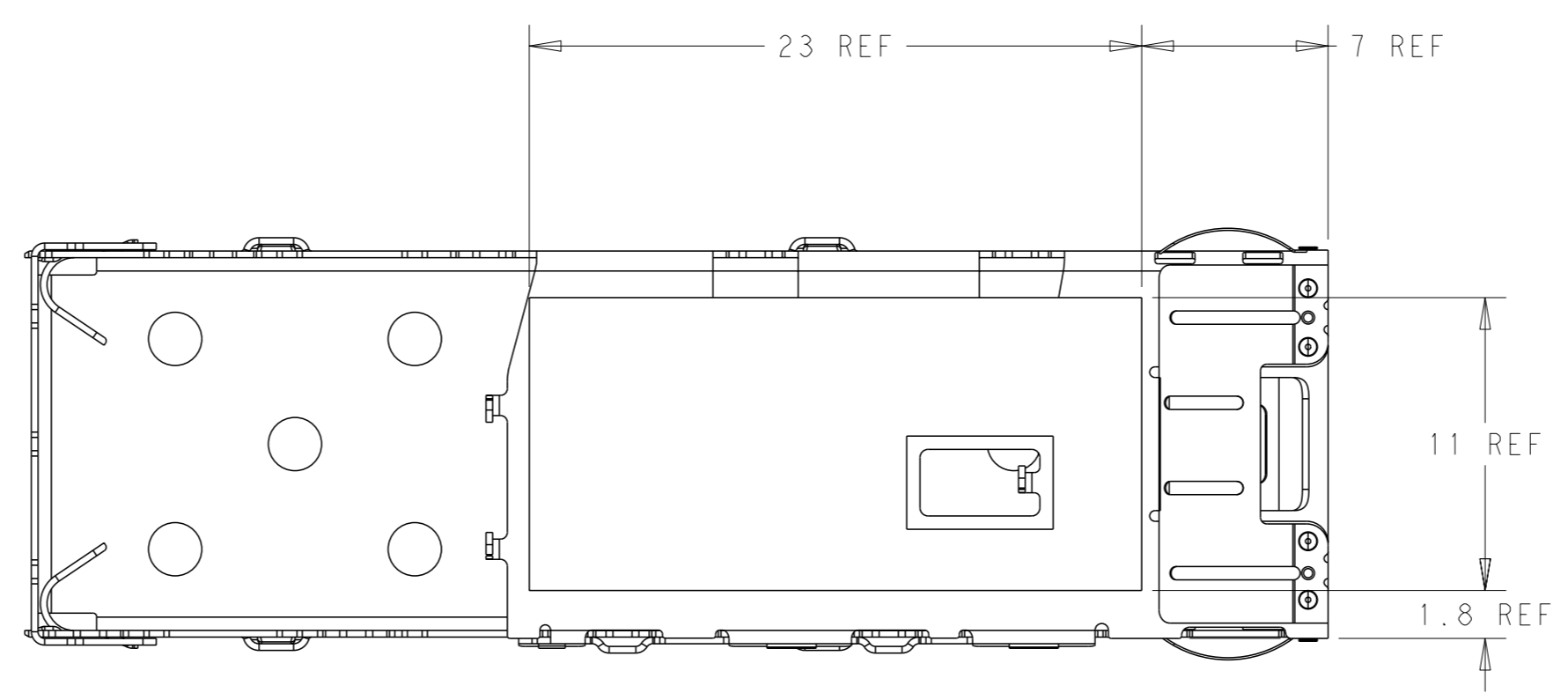
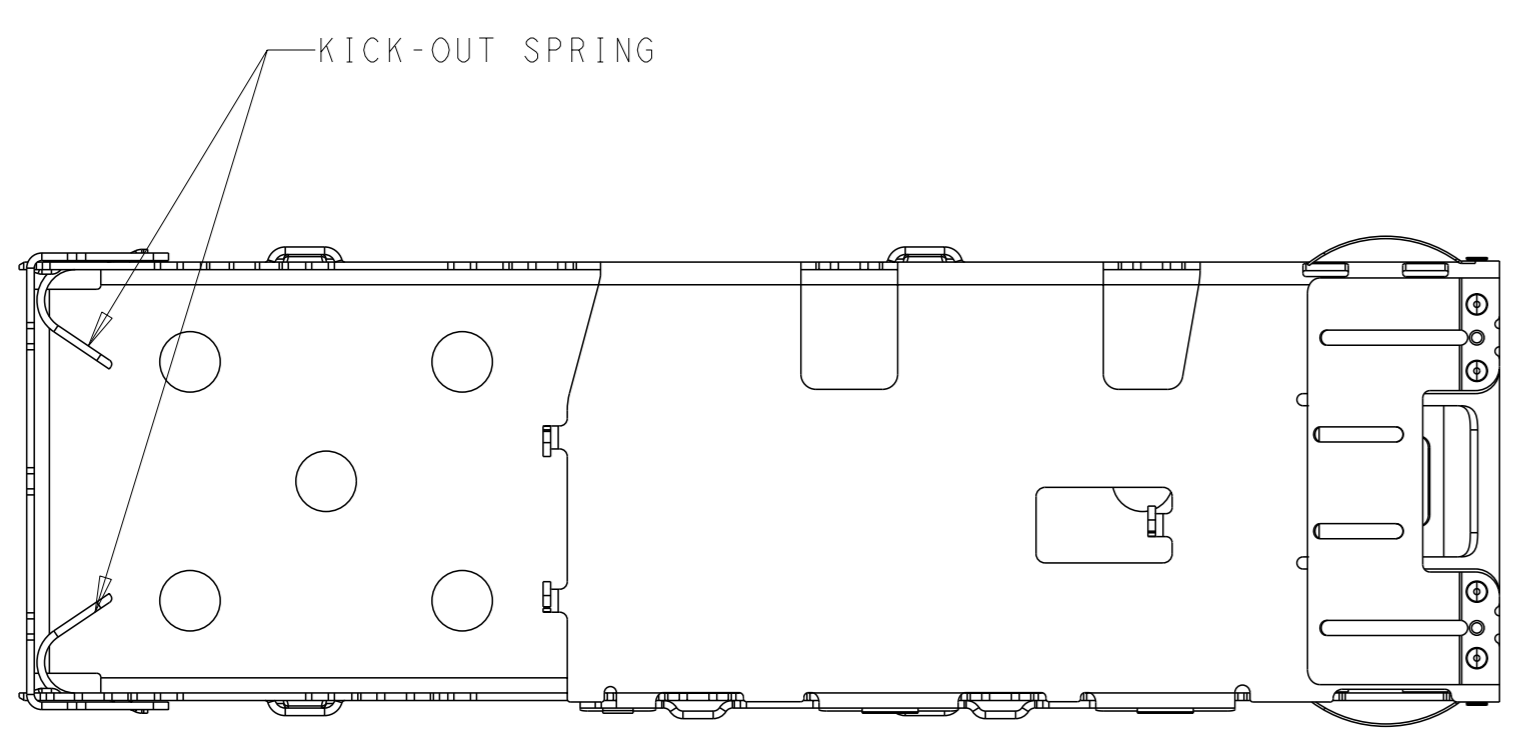
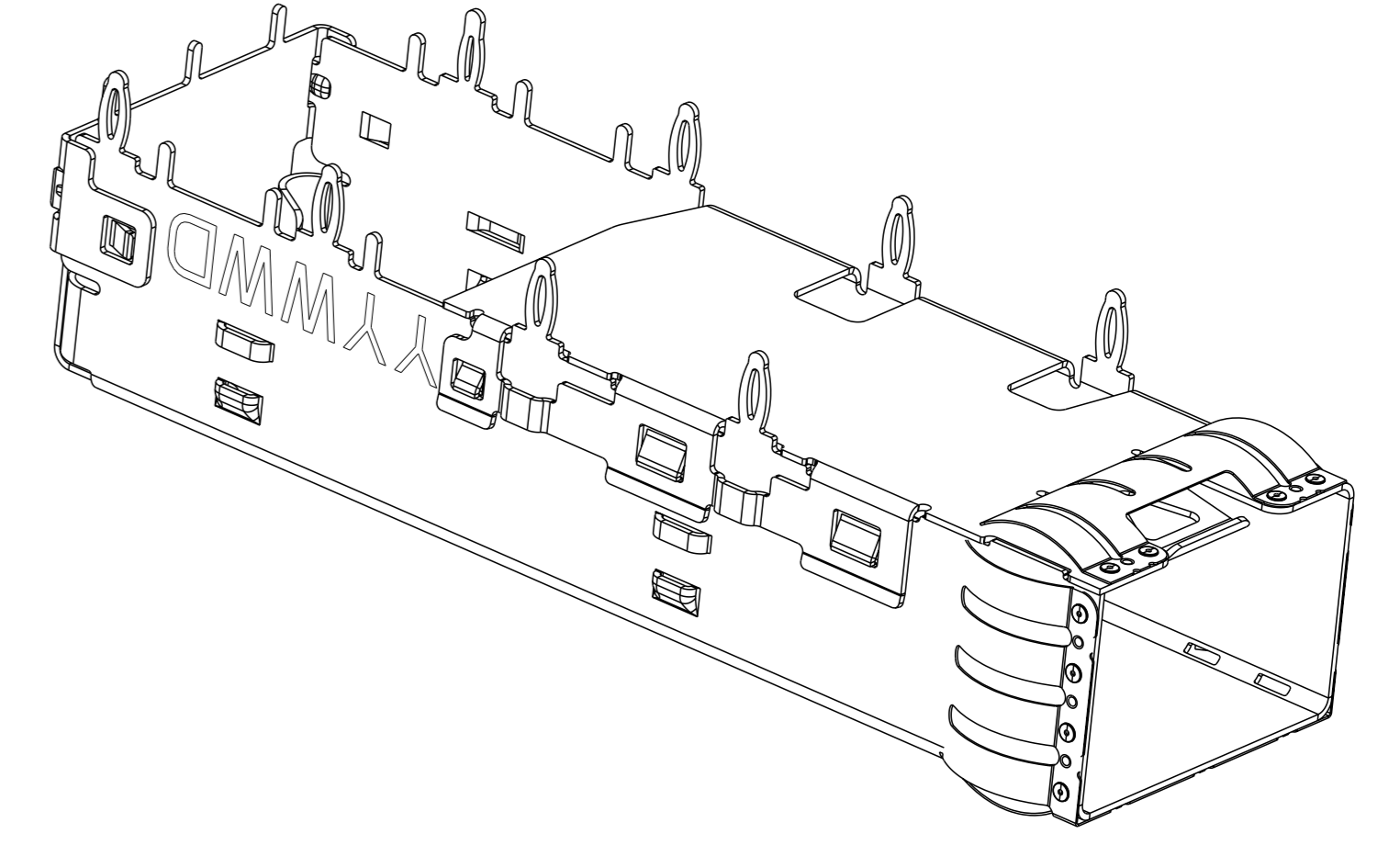
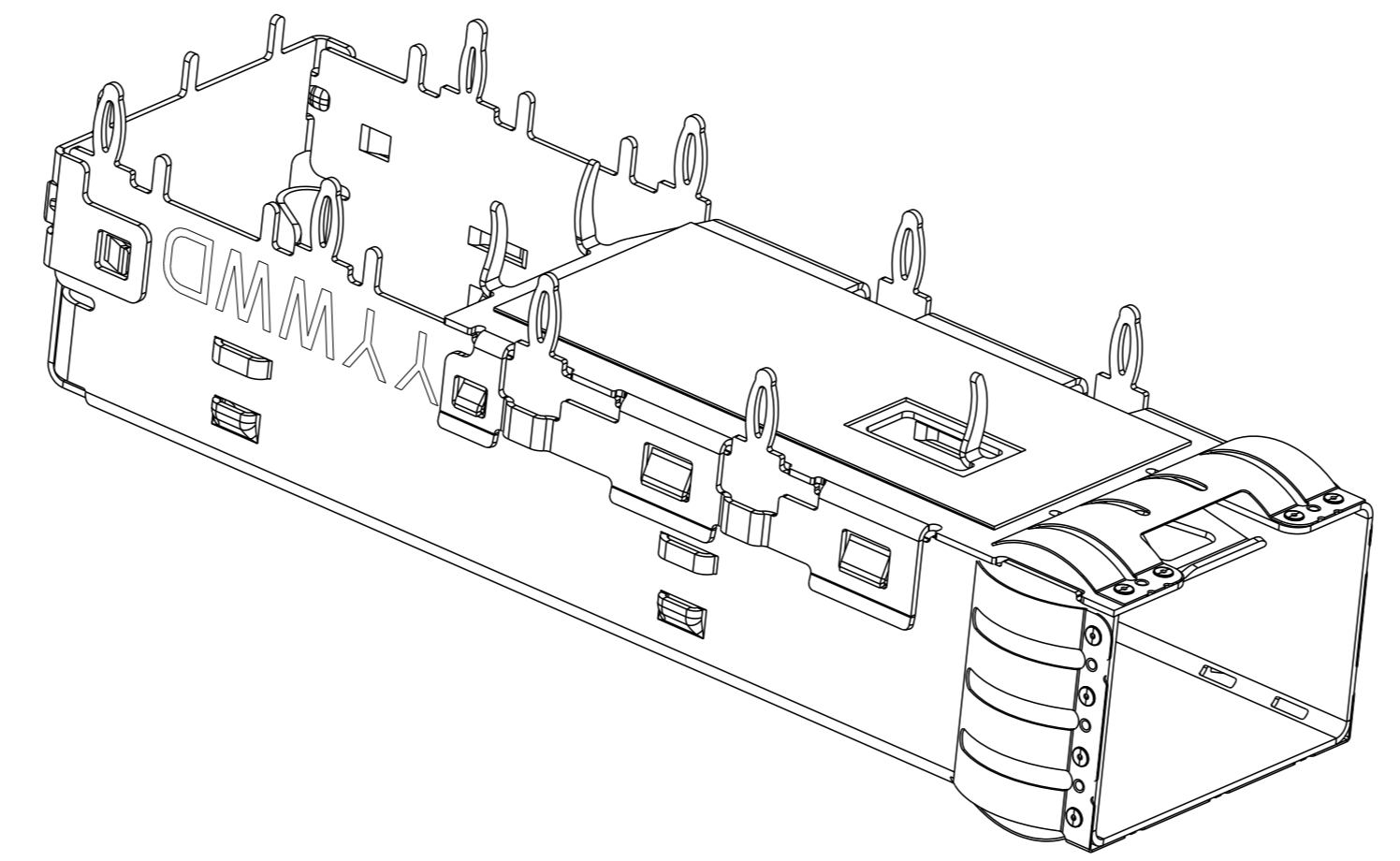
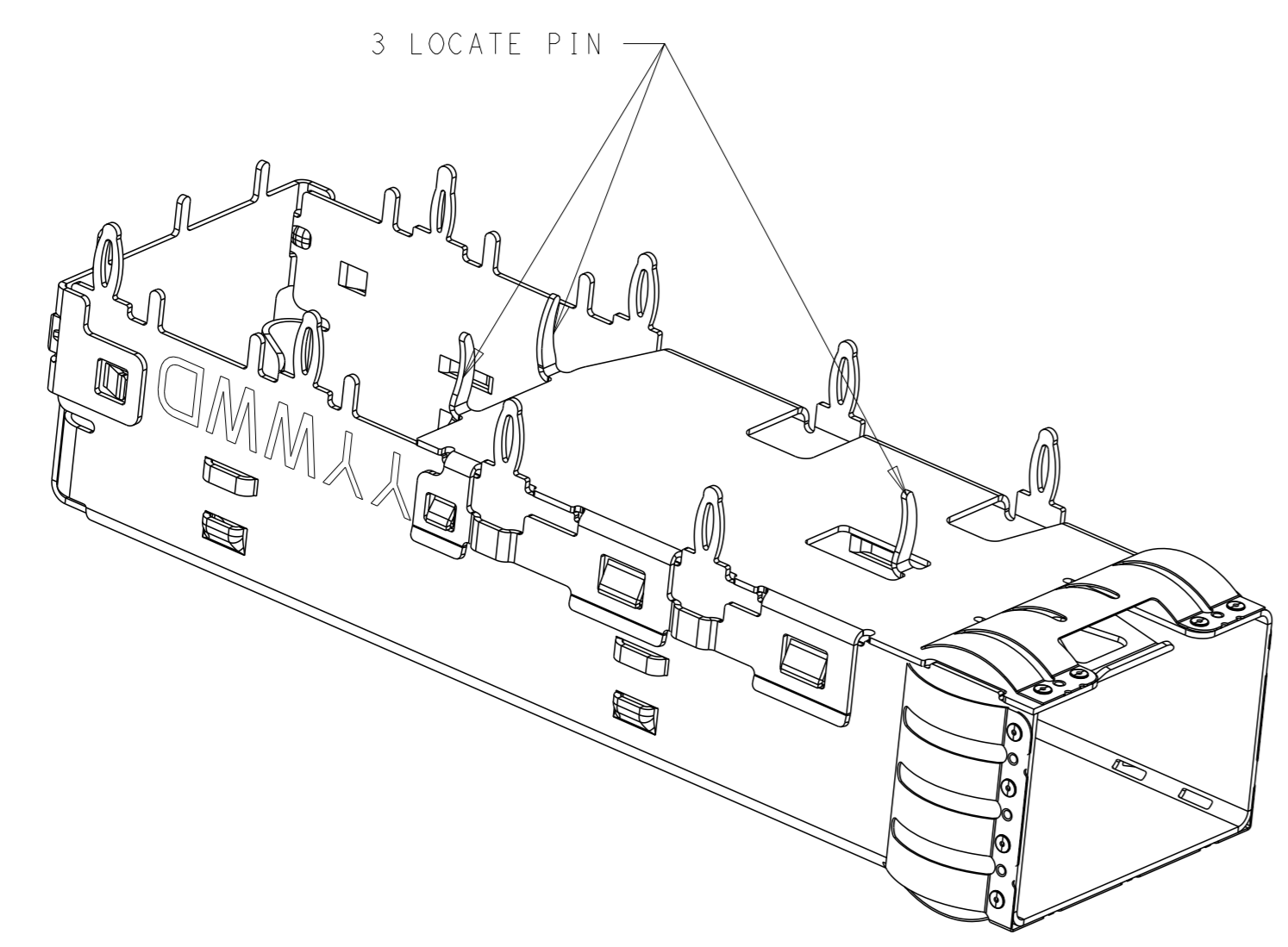
W/O INSULATING TAPE	WITHOUT LOCATE PIN	3-2170680-1
W/O INSULATING TAPE	WITHOUT KICK-OUT SPRING/ EMI HOLES	2-2170680-1
W/O INSULATING TAPE	NO HOLES/NO SPRING	2170680-7
W/O INSULATING TAPE	NO HOLES	2170680-5
W/O INSULATING TAPE	EMI HOLES	2170680-4
W/ INSULATING TAPE	EMI HOLES	2170680-3
W/O INSULATING TAPE	HEATSINK OPENING	2170680-2
W/O INSULATING TAPE	EMI HOLES	2170680-1
INSULATING TAPE	DESCRIPTION	PART NUMBER

THIS DRAWING IS A CONTROLLED DOCUMENT.

DIMENSIONS: ID 0 PLC ±0.1 1 PLC ±.1 2 PLC ±.1 3 PLC ±.05 4 PLC ±.05 ANGLES FINISH	TOLERANCES UNLESS OTHERWISE SPECIFIED: 0 PLC ±0.1 1 PLC ±.1 2 PLC ±.1 3 PLC ±.05 4 PLC ±.05 ANGLES FINISH	OWN: CHARLES WAN 24DEC2014 CHK: SEAN HAN 24DEC2014 APVD: SEAN HAN 24DEC2014 PRODUCT SPEC 108-2364 APPLICATION SPEC 114-13120 WEIGHT CUSTOMER DRAWING	NAME: SFP+ 1X1 CAGE ASSEMBLY, PRESS-FIT PRESS-FIT, EMI SPRINGS SIZE: A1 CAGE CODE: 00779 DRAWING NO: C=2170680 RESTRICTED TO: - SCALE: 6:1 SHEET: 1 OF 5 REV: A3
--	---	--	---

STE TE Connectivity

LOC	DIST	REVISIONS					
GP	00	P	LY#	DESCRIPTION	DATE	OWN	APVD
		-		SEE SHEET 1			

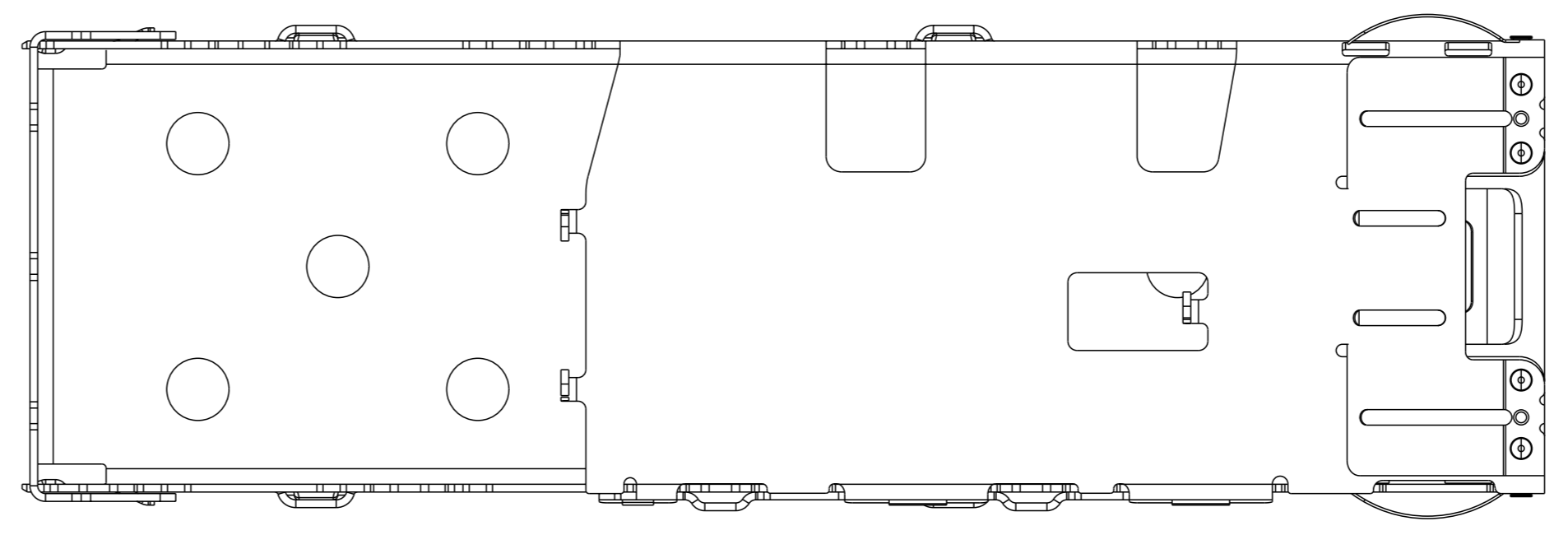
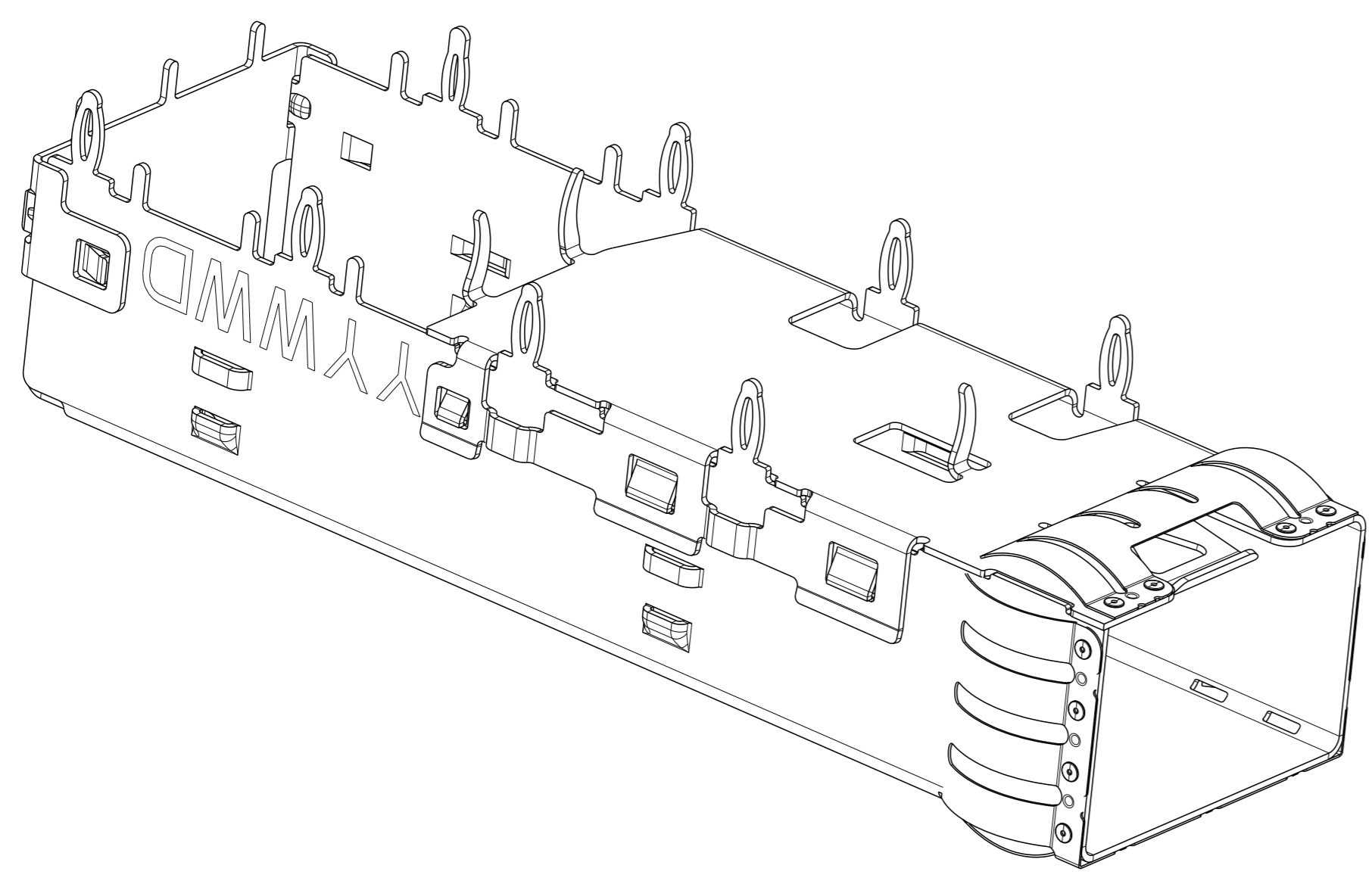


2170680-1, 2170680-4
 SCALE 4:1

2170680-3
 SCALE 4:1

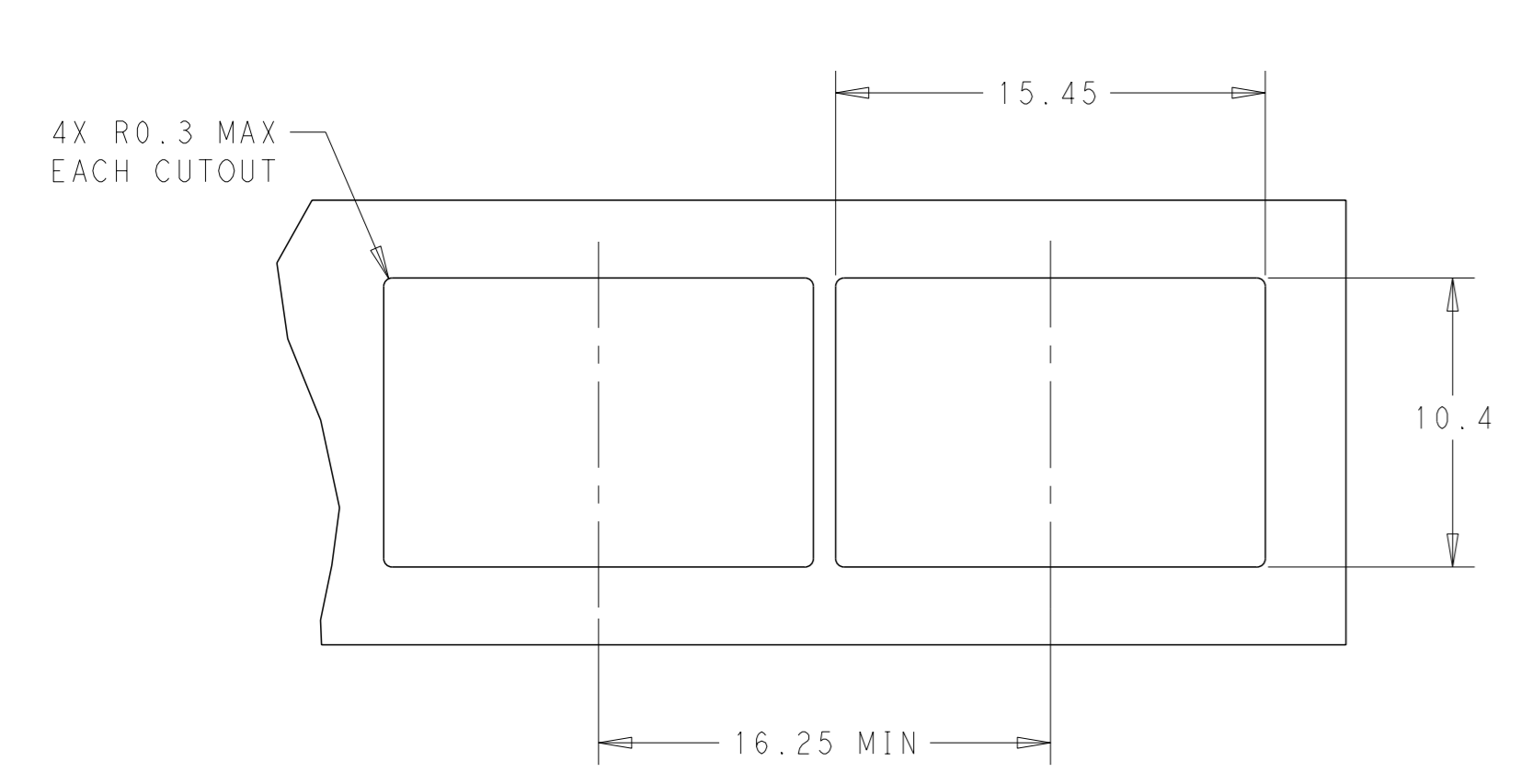
3-2170680-1
 SAME TO 2170680-1
 WITHOUT 3 LOCATE PIN
 SCALE 4:1

2-2170680-1
 SAME TO 2170680-1 EXCEPT KICK-OUT SPRING

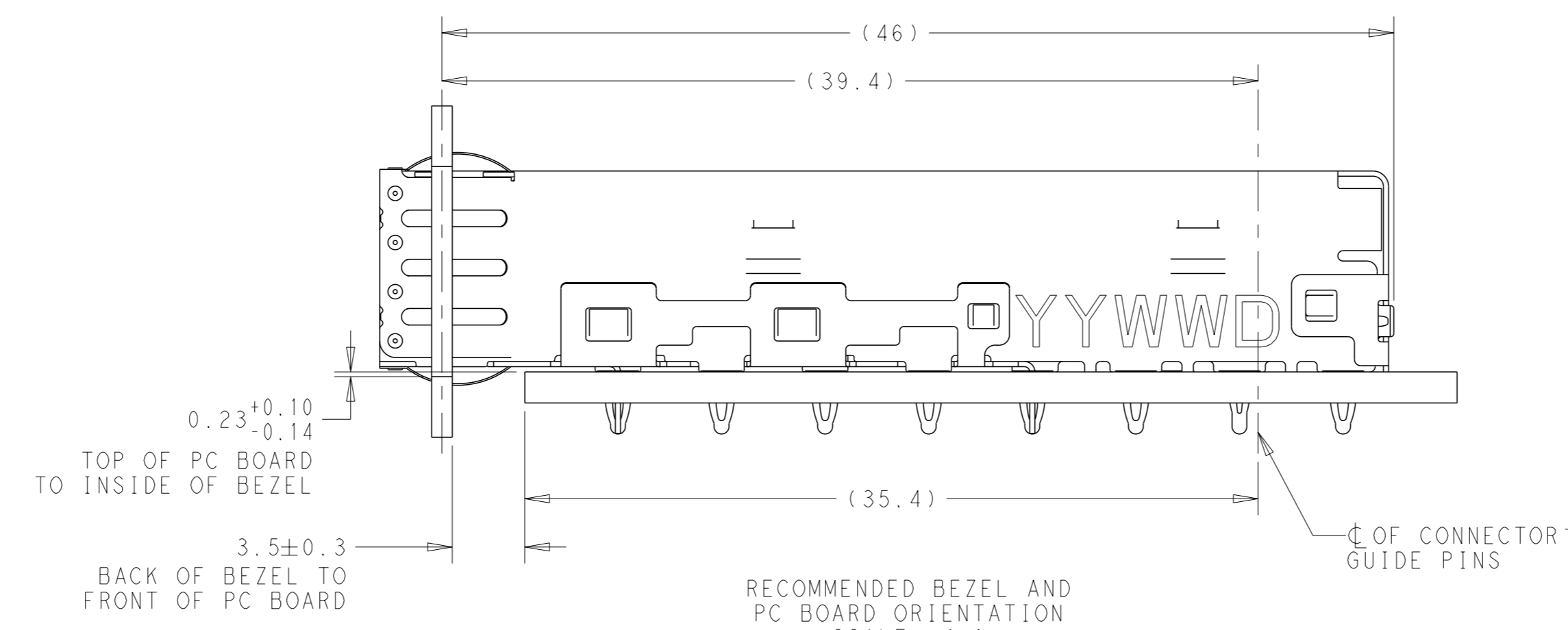


THIS DRAWING IS A CONTROLLED DOCUMENT.		OWN: CHARLES WAN 24DEC2014	TE Connectivity NAME: SFP+ 1X1 CAGE ASSEMBLY, PRESS-FIT PRESS-FIT, EMI SPRINGS
DIMENSIONS:		CHK: SEAN HAN 24DEC2014	
TOLERANCES UNLESS OTHERWISE SPECIFIED:		APVD: SEAN HAN 24DEC2014	
FINISH		PRODUCT SPEC	
0 PLC ±0.1	1 PLC ±.1	108-2364	SIZE: CAGE CODE DRAWING NO
2 PLC ±.1	3 PLC ±.05	APPLICATION SPEC	RESTRICTED TO
4 PLC ±.05	ANGLES ±.5	114-13120	A100779C=2170680
MATERIAL		WEIGHT	SCALE: 6:1 SHEET 2 OF 5 REV A3
CUSTOMER DRAWING			

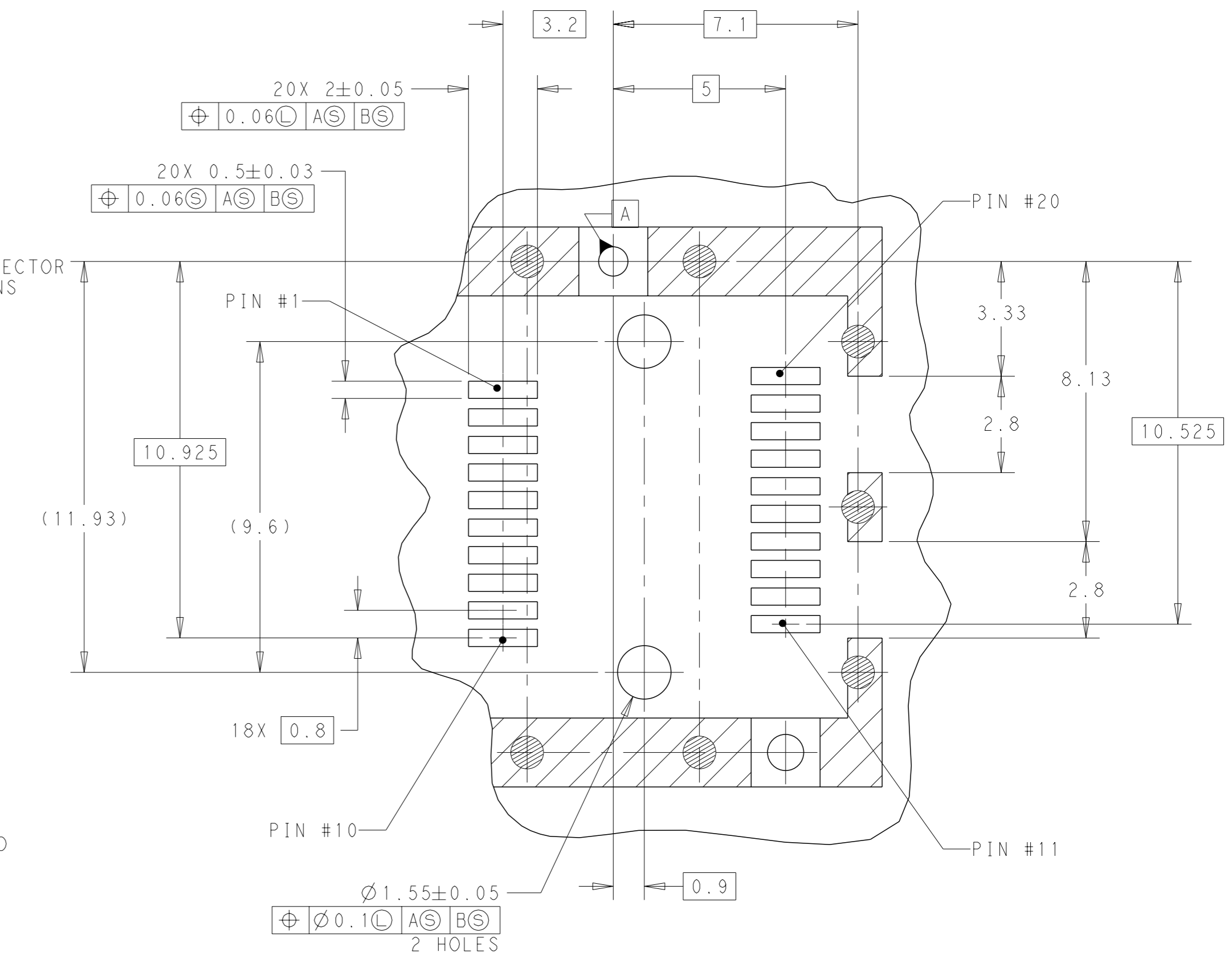
LOC	DIST	REVISIONS				
GP	00	REV	DESCRIPTION	DATE	OWN	APVD
		-	SEE SHEET 1	-	-	-



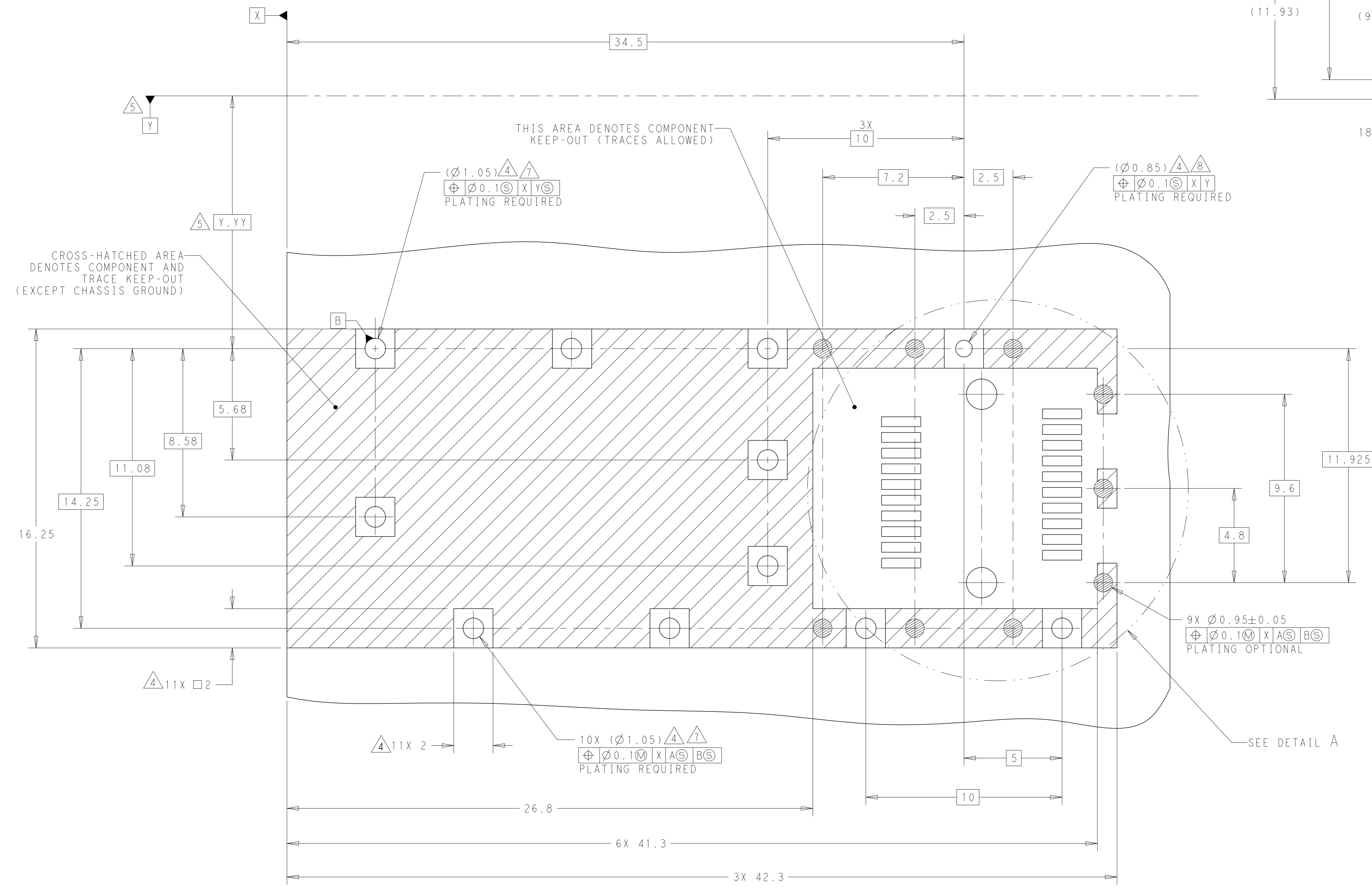
RECOMMENDED BEZEL CUTOUT
SCALE 4:1



RECOMMENDED BEZEL AND
PC BOARD ORIENTATION
SCALE 4:1



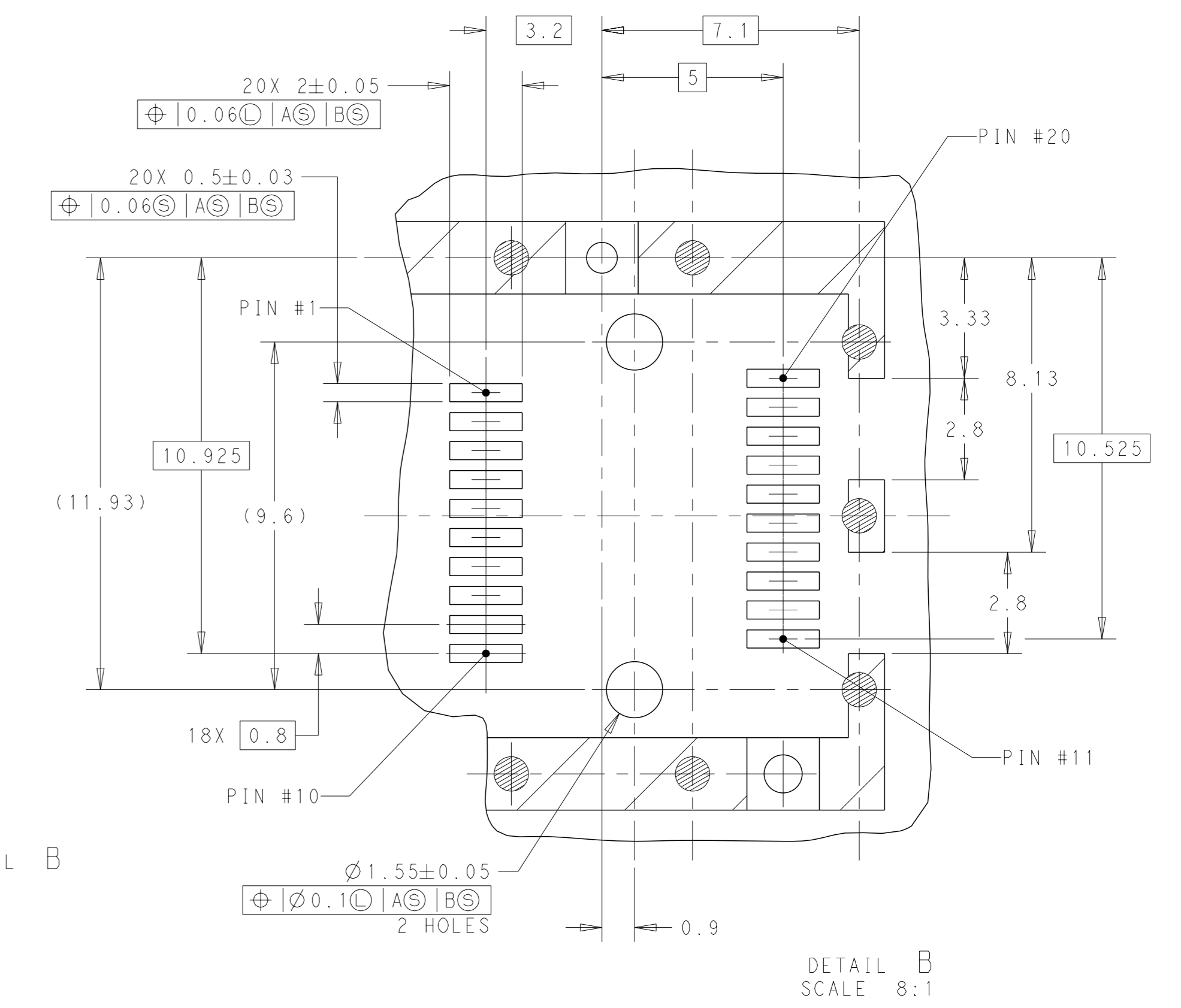
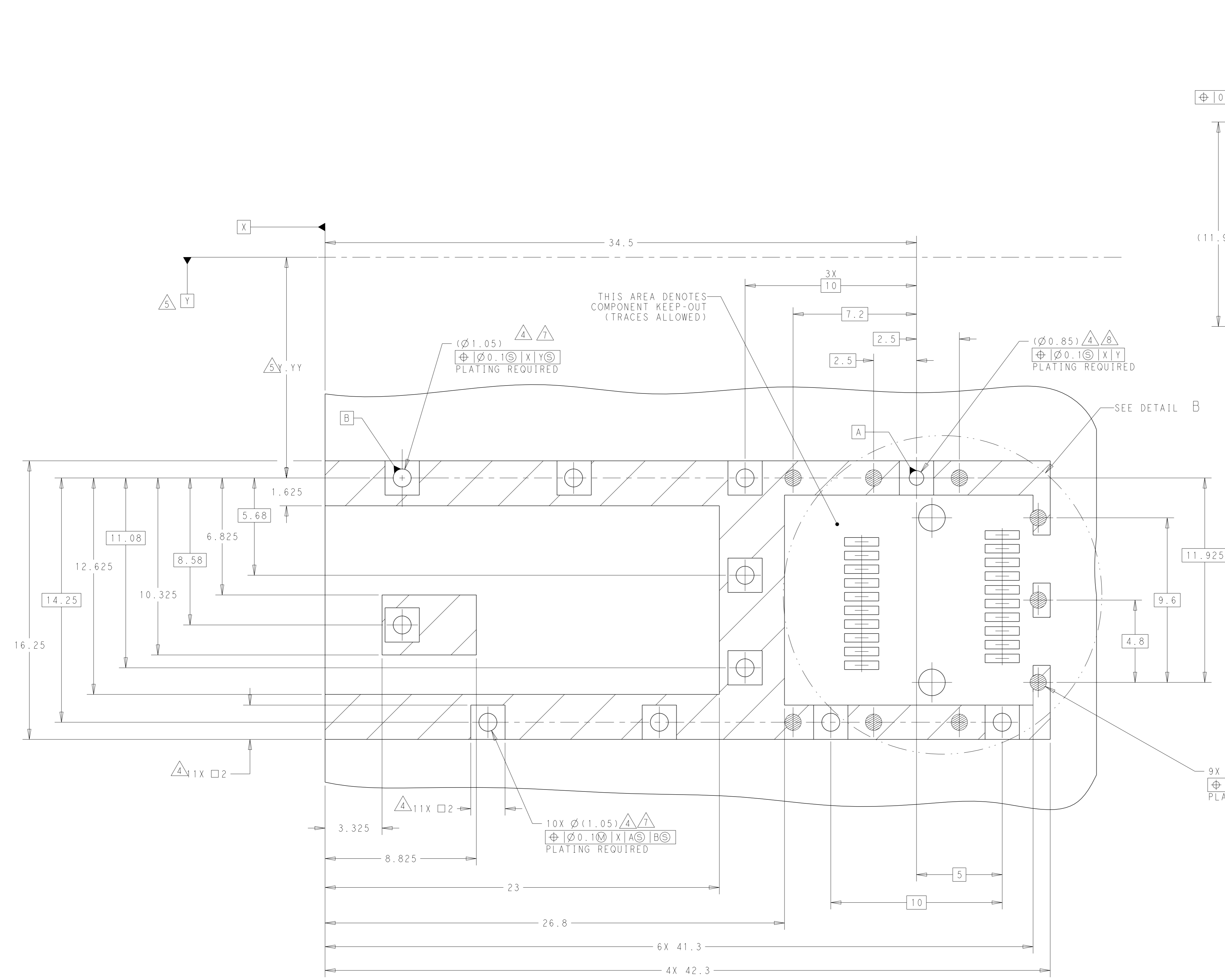
DETAIL A
SCALE 8:1



RECOMMENDED PCB LAYOUT
SCALE 8:1

THIS DRAWING IS A CONTROLLED DOCUMENT.		OWN: CHARLES WAN 24DEC2014	TE Connectivity
DIMENSIONS: IN		CHK: SEAN HAN 24DEC2014	
TOLERANCES UNLESS OTHERWISE SPECIFIED:		APVD: SEAN HAN 24DEC2014	
0 PLC ±0.1 1 PLC ±.1 2 PLC ±.1 3 PLC ±.05 4 PLC ±.05 ANGLES FINISH		NAME: SFP+ 1X1 CAGE ASSEMBLY, PRESS-FIT PRESS-FIT, EMI SPRINGS	
MATERIAL		PRODUCT SPEC: 108-2364	SIZE: A1
		APPLICATION SPEC: 114-13120	CAGE CODE: 2170680
		WEIGHT: -	RESTRICTED TO: -
CUSTOMER DRAWING		SCALE: 2:1	SHEET 3 OF 5 REV A3

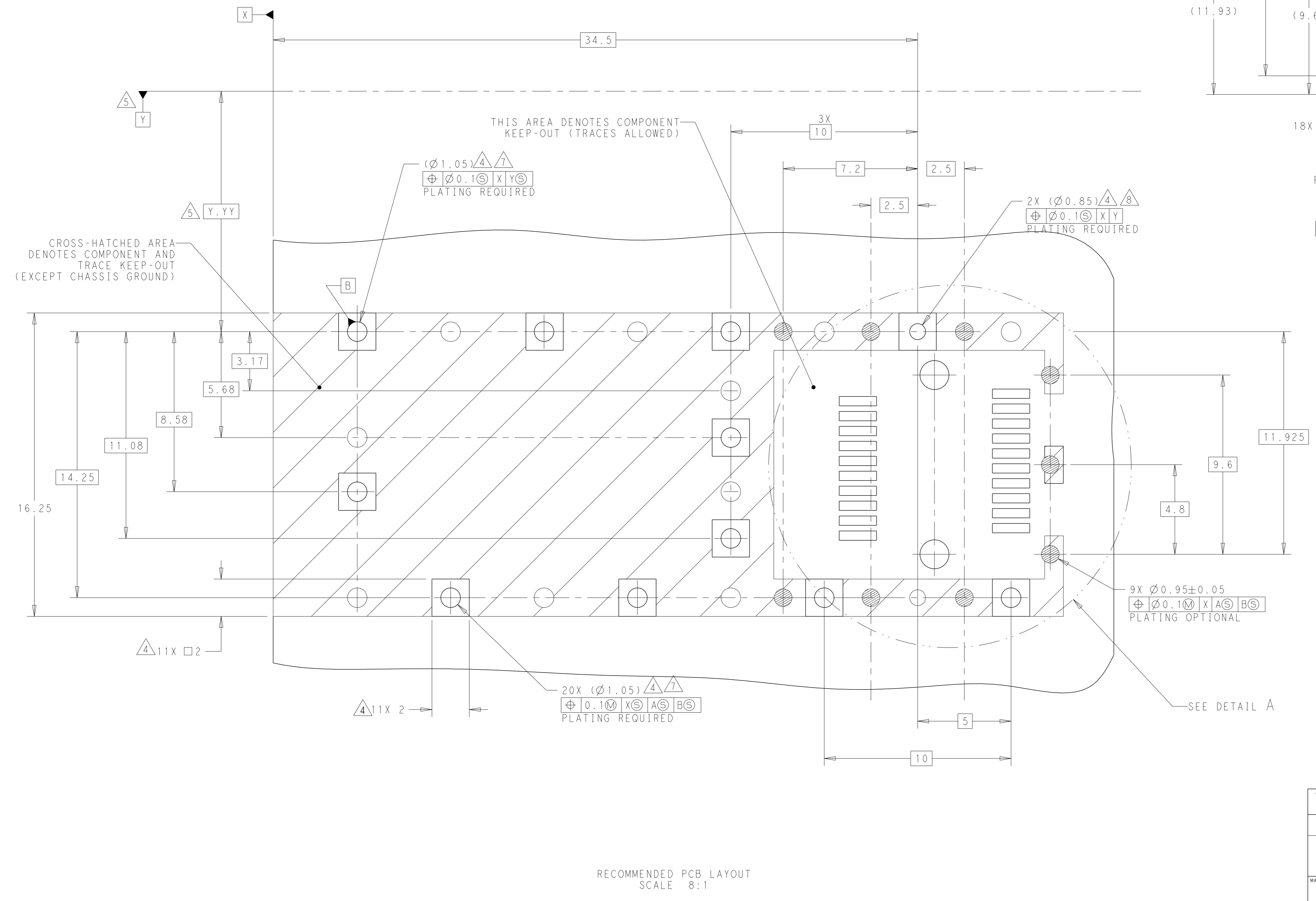
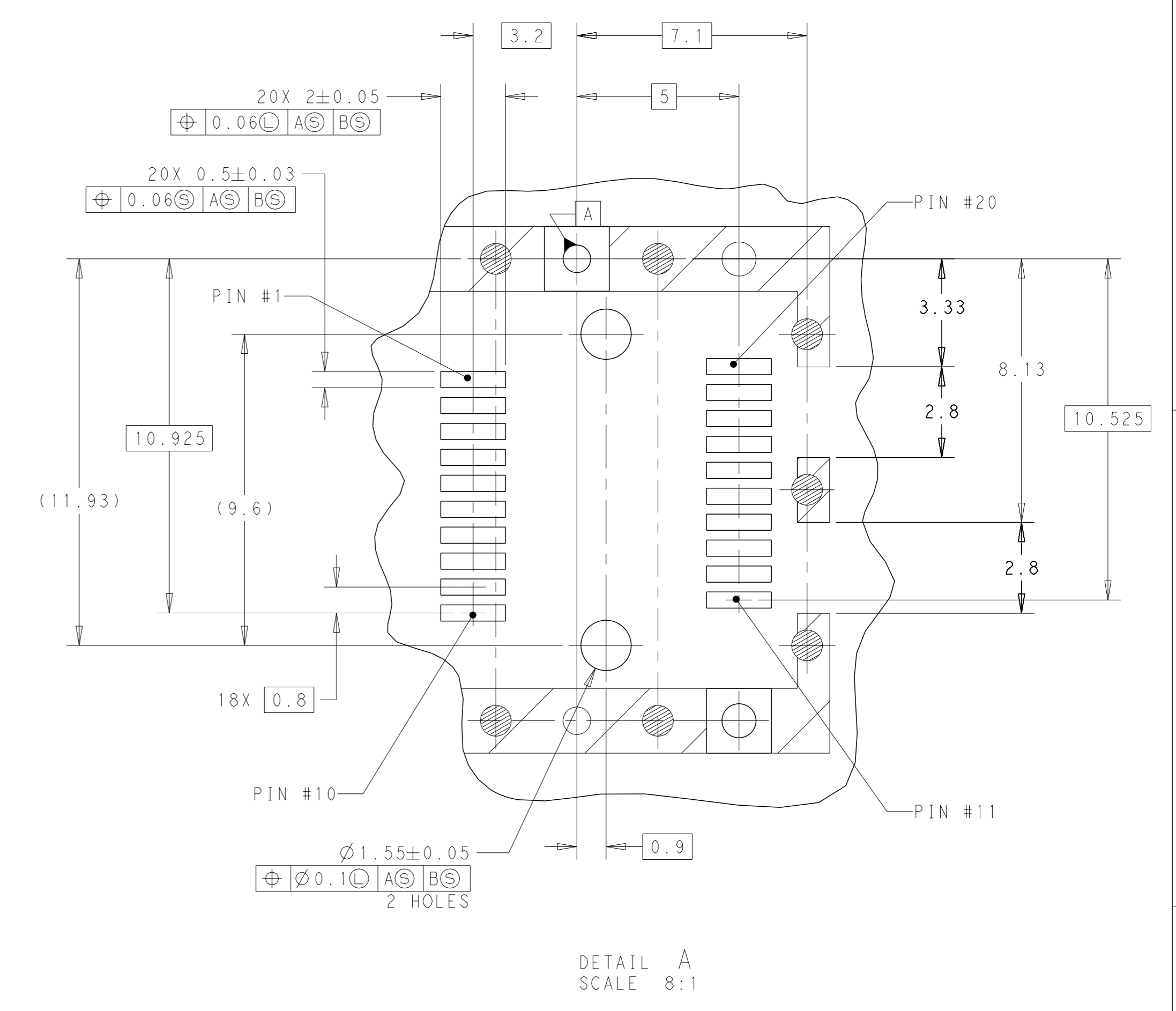
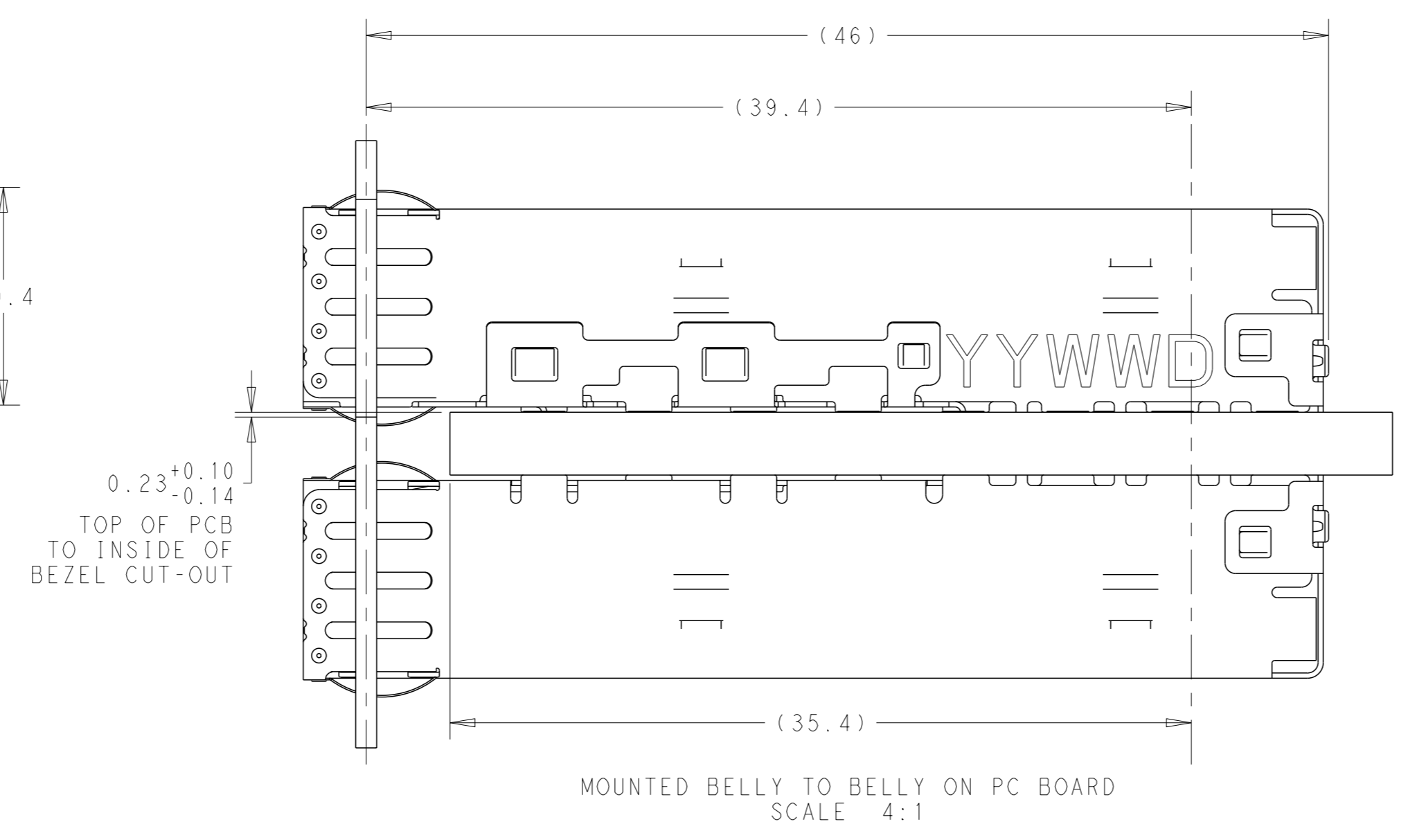
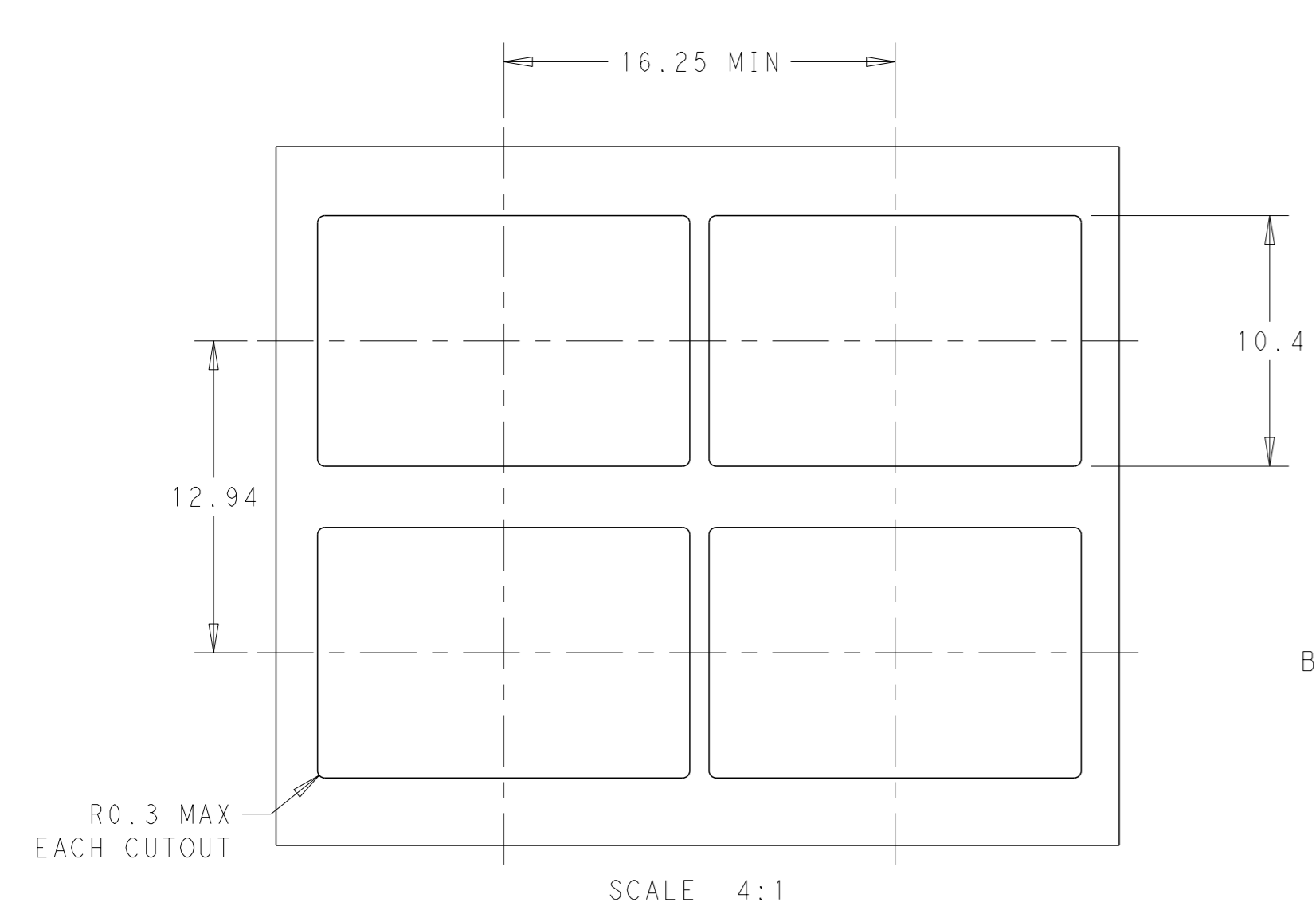
LOC	DIST	REVISIONS				
GP	00	REV	DESCRIPTION	DATE	OWN	APVD
-	-	-	SEE SHEET 1	-	-	-



RECOMMENDED PCB LAYOUT FOR WITH INSULATING TAPE PART
 SCALE 8:1

THIS DRAWING IS A CONTROLLED DOCUMENT.		OWN: CHARLES WAN CHK: SEAN HAN APVD: SEAN HAN	24DEC2014 24DEC2014 24DEC2014	TE Connectivity NAME: SFP+ 1X1 CAGE ASSEMBLY, PRESS-FIT PRESS-FIT, EMI SPRINGS
DIMENSIONS:	TOLERANCES UNLESS OTHERWISE SPECIFIED:	PRODUCT SPEC: 108-2364 APPLICATION SPEC: 114-13120 WEIGHT: -		
MATERIAL:	FINISH:	SIZE: 114-13120 CAGE CODE: A100779 DRAWING NO: C=2170680		RESTRICTED TO: - SCALE: 2:1 SHEET: 4 OF 5 REV: A3

LOC	DIST	REVISIONS				
GP	00	REV	DESCRIPTION	DATE	OWN	APVD
		-	SEE SHEET 1	-	-	-



THIS DRAWING IS A CONTROLLED DOCUMENT.		OWN: CHARLES WAN 24DEC2014	TE Connectivity
DIMENSIONS: IN		CHK: SEAN HAN 24DEC2014	
TOLERANCES UNLESS OTHERWISE SPECIFIED:		APVD: SEAN HAN 24DEC2014	NAME: SFP+ 1X1 CAGE ASSEMBLY, PRESS-FIT PRESS-FIT, EMI SPRINGS
0 PLC ±0.1	1 PLC ±.1	PRODUCT SPEC: 108-2364	SIZE: A1
2 PLC ±.1	3 PLC ±.05	APPLICATION SPEC: 114-13120	CAGE CODE: 00779
4 PLC ±.05	ANGLES ±.05	WEIGHT: -	DRAWING NO: C=2170680
MATERIAL: -	FINISH: -	CUSTOMER DRAWING	SCALE: 1:1 SHEET 5 OF 5 REV: A3