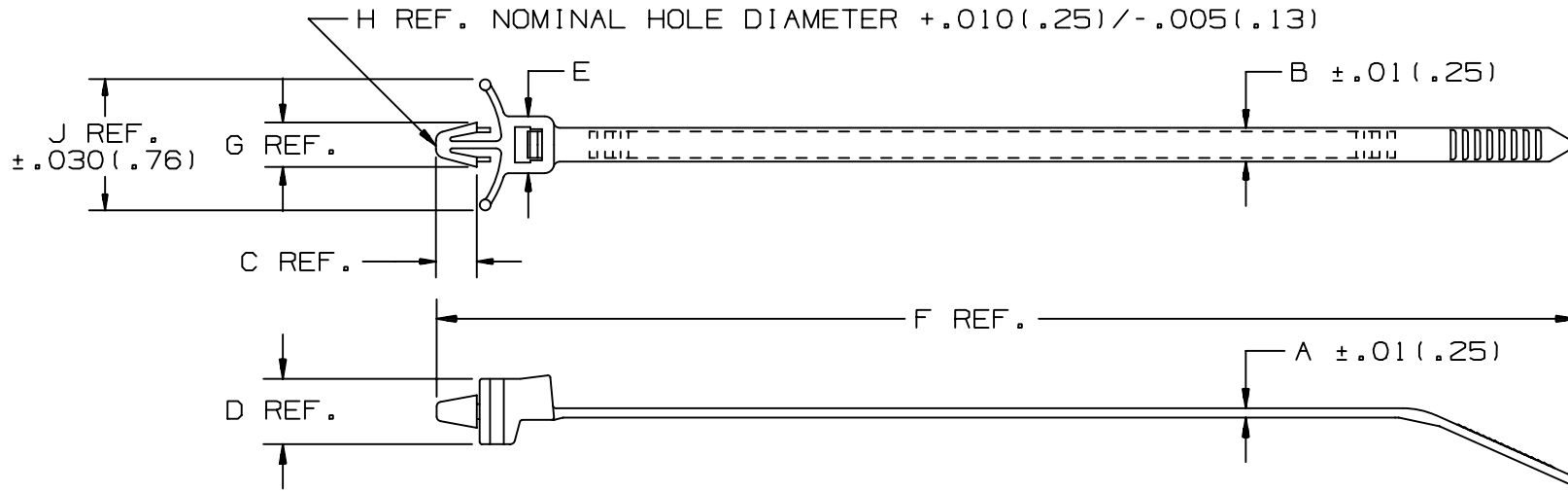


THIS COPY IS PROVIDED ON A RESTRICTED BASIS AND IS NOT TO BE USED IN ANY WAY DETRIMENTAL TO THE INTERESTS OF PANDUIT CORP.



PANDUIT PART NO.	BUNDLE DIA.		A in (mm)	B in (mm)	C in (mm)	D in (mm)	E in (mm)	F in (mm)	G in (mm)	H in (mm)	J in (mm)	MAX. PANEL THICKNESS in (mm)	MIN. LOOP TENSILE lbs (N)	CROSS SECTION	WEIGHT 100 pcs lbs (g)
	MIN. in (mm)	MAX. in (mm)													
PLWP1SA	.06 (1.5)	1.0 (25.4)	.052 (1.32)	.190 (4.8)	.230 (5.8)	.370 (9.4)	.320 (8.1)	5.1 (130)	.240 (6.1)	.187 (4.7)	.74 (18.8)	.093 (2.4)	50 (222)	STANDARD	.29 (132)
PLWP1.5SA	.06 (1.5)	1.5 (38.1)	.052 (1.32)	.190 (4.8)	.230 (5.8)	.370 (9.4)	.320 (8.1)	6.7 (170)	.240 (6.1)	.187 (4.7)	.74 (18.8)	.093 (2.4)	50 (222)	STANDARD	.34 (154)
PLWP2SA	.06 (1.5)	1.75 (44.5)	.052 (1.32)	.190 (4.8)	.230 (5.8)	.370 (9.4)	.320 (8.1)	7.7 (196)	.240 (6.1)	.187 (4.7)	.74 (18.8)	.093 (2.4)	50 (222)	STANDARD	.37 (168)

NOTE: SEE CURRENT PRICE SHEET FOR PART NUMBER SUFFIX DESIGNATION FOR PACKAGE SIZE, MATERIAL AND PART COLOR.

DIMENSIONS IN PARENTHESES ARE IN METRIC UNITS

										<h1>PANDUIT</h1> <p>CORP. TINLEY PARK, ILLINOIS</p>						
										<h2>LOCKING WING PUSH MOUNT TIE</h2> <p>PLWP1SA, 1.5SA, 2SA</p>						
										UNLESS OTHERWISE SPECIFIED, DIMENSIONAL TOLERANCES ARE: (.X) ± .1(2.5) (.XXX) ± .020(.51) (.XX) ± .02(.5) ANGLES ± -----		UNLESS OTHERWISE SPECIFIED, ALL DIMENSIONS ARE GIVEN IN INCHES, THIRD ANGLE PROJECTION.				
										DRAWN BY KJL		MAT'L: SEE NOTE		SCALE NONE		
										DATE 11/22/88		DRAWING NO. SS-23525		DWG A SIZE		
										CHK'D JML						
6	1/21/04	JABO	CHANGED FORMAT FOR CONSISTENCY SEE ECN FOR DETAILS				23525	6								
REV	DATE	BY	CHK	DESCRIPTION			ECN	R	CUST	SUP						