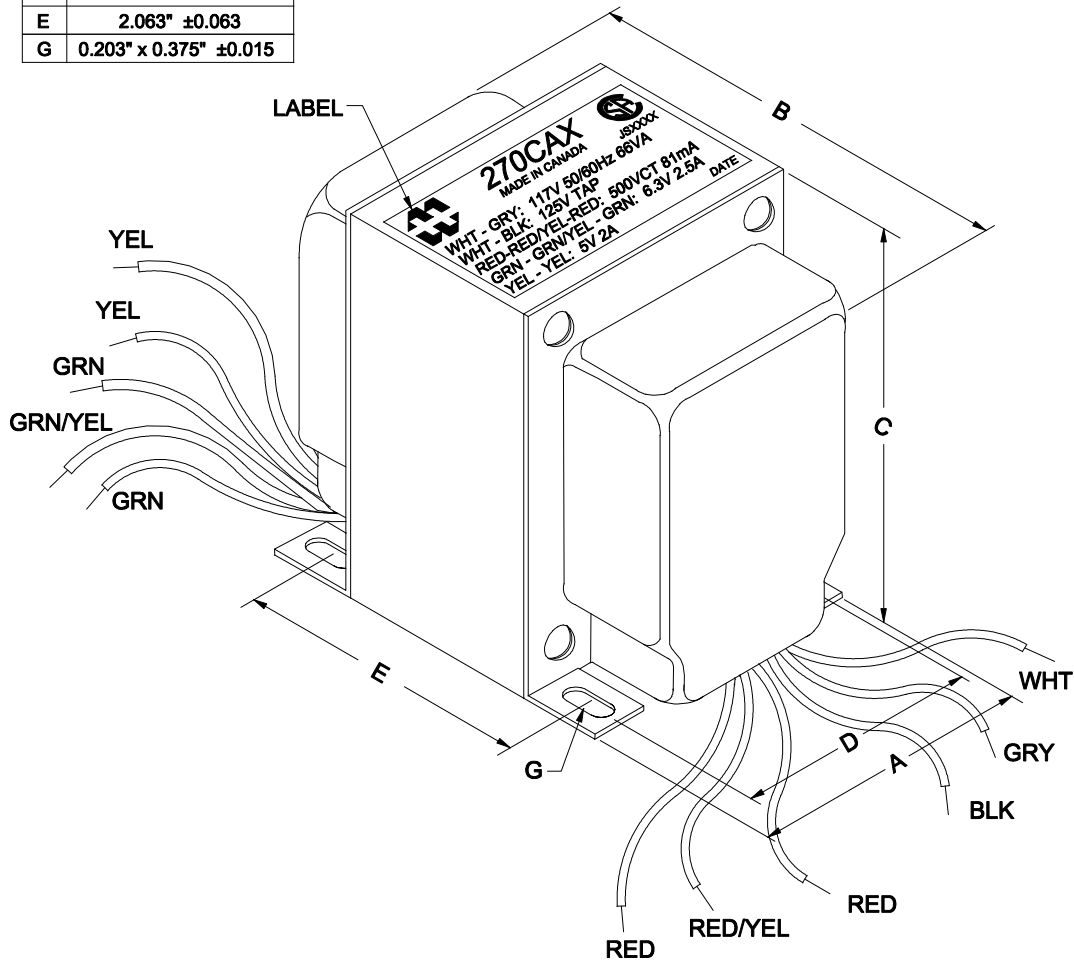
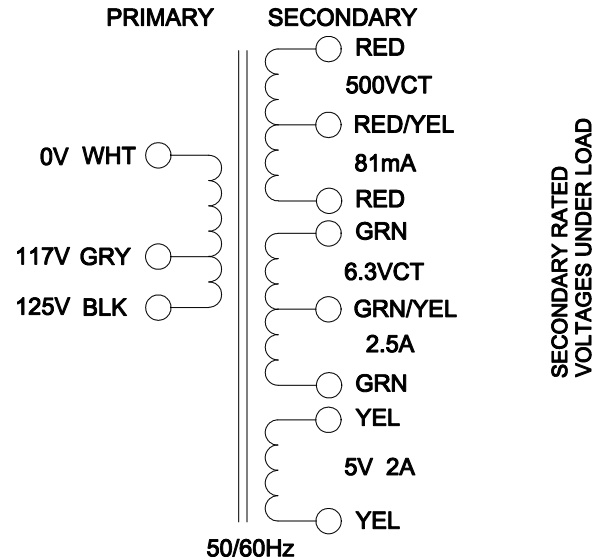


DIMENSIONS:	
A	2.500" ±0.063
B	3.060" ±0.125
C	3.060" ±0.063
D	2.000" ±0.063
E	2.063" ±0.063
G	0.203" x 0.375" ±0.015



NOTE: ALL LEADS 6" OUT MIN. STRIPPED 0.5"



ELECTRICAL DATA:		
TESTS	CONDITIONS	ACCEPTANCE CRITERIA
I <sub>ex</sub>	@ 125V, 60Hz, WHT - BLK	170.4mA Max.
Sec. N.L.V	@ 125V, 60Hz, WHT - BLK	
	RED - RED =	545.2V ±2%
	RED - RED/YEL = RED/YEL - RED =	272.6V ±2%
	YEL - YEL =	5.585V ±2%
	GRN - GRN/YEL = GRN/YEL - GRN =	3.457V ±2%
	GRN - GRN =	6.915V ±2%
DCR	@ 20°C, WHT - BLK =	5.715 Ω ±20%
	@ 20°C, RED - RED =	232.3 Ω ±20%
	@ 20°C, YEL - YEL =	0.082 Ω ±20%
	@ 20°C, GRN - GRN =	0.098 Ω ±20%
HIPOT	PRIMARY - SECONDARY	2000V, 60Hz, 1 SEC

REV.#	REVISION	DATE
0	RELEASED. C.I.	11/08/12

**HAMMOND MANUFACTURING™** ELECTRONIC DIVISION  
 52 RANKIN PLACE, WATERLOO, ONTARIO, N2J 3Z5  
 PH # (519) 886-6181 FAX # (519) 886-9540

DWG. BY: C. ILIE	CHK'D BY:	TITLE: POWER TRANSFORMER	DWG. NO. 270CAX
DATE: 11/08/12	APP'D. BY:		
	DIMENSIONS: IN(X) MM( )		