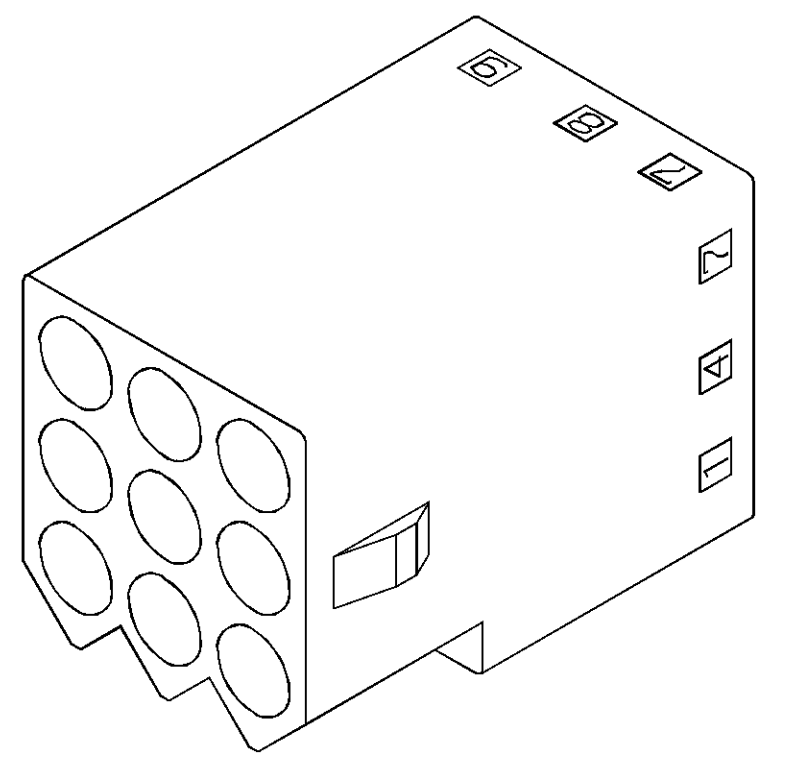


1 MATERIAL: NYLON UL94V-2 (NATURAL).
 2 MARKING FOR UL LOGO AND CSA LOGO LOCATED APPROXIMATELY AS SHOWN.

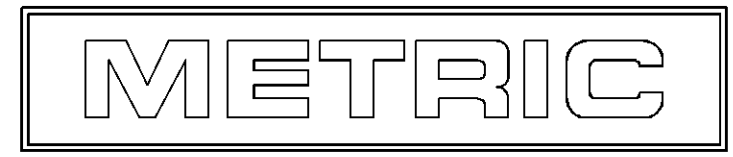


3D MODEL NTS

25.400	1.0000
17.018	.6700
16.891	.6650
16.129	.6350
5.029	.1980
2.36	.093
0.25	.010
0.13	.005
MM	IN

CONVERSION TABLE

770092-1
 PART NUMBER



THIS DRAWING IS A CONTROLLED DOCUMENT.		DWN J. HUFFMAN 10-11-96	AMP Incorporated Harrisburg, PA 17105-3608
DIMENSIONS: INCHES		CHK R. SWING 10-16-96	
TOLERANCES UNLESS OTHERWISE SPECIFIED:		APVD C. CASH 10-16-96	NAME RECEPTACLE, 9 CIRCUIT .093 COMMERCIAL PIN & SOCKET
0 PLC ±-	1 PLC ±-	PRODUCT SPEC	APPLICATION SPEC
2 PLC ±-	3 PLC ±0.13	SIZE	CASE CODE
4 PLC ±-	ANGLES ±-	WEIGHT	DRAWING NO
MATERIAL	FINISH	CUSTOMER DRAWING	RESTRICTED TO
		SCALE 4:1	SHEET 1 OF 1