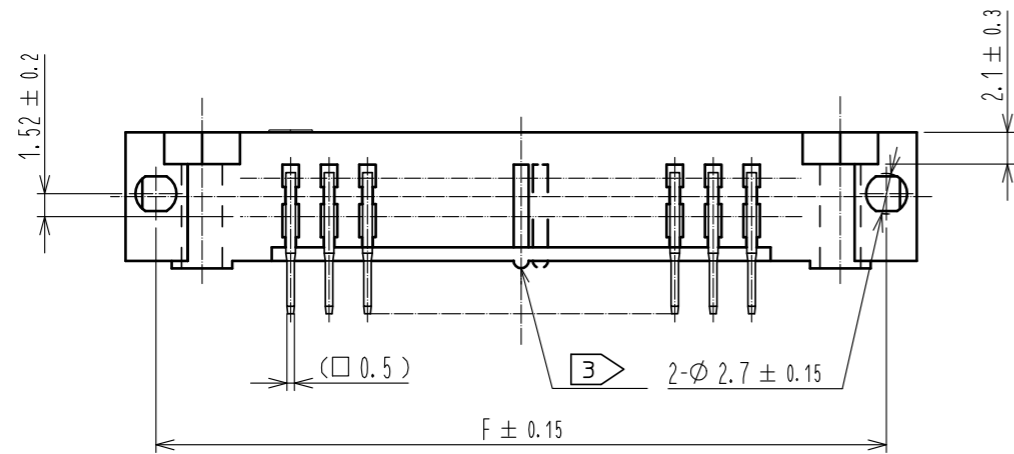
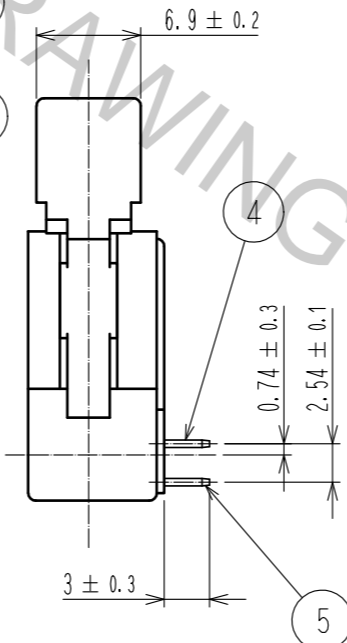
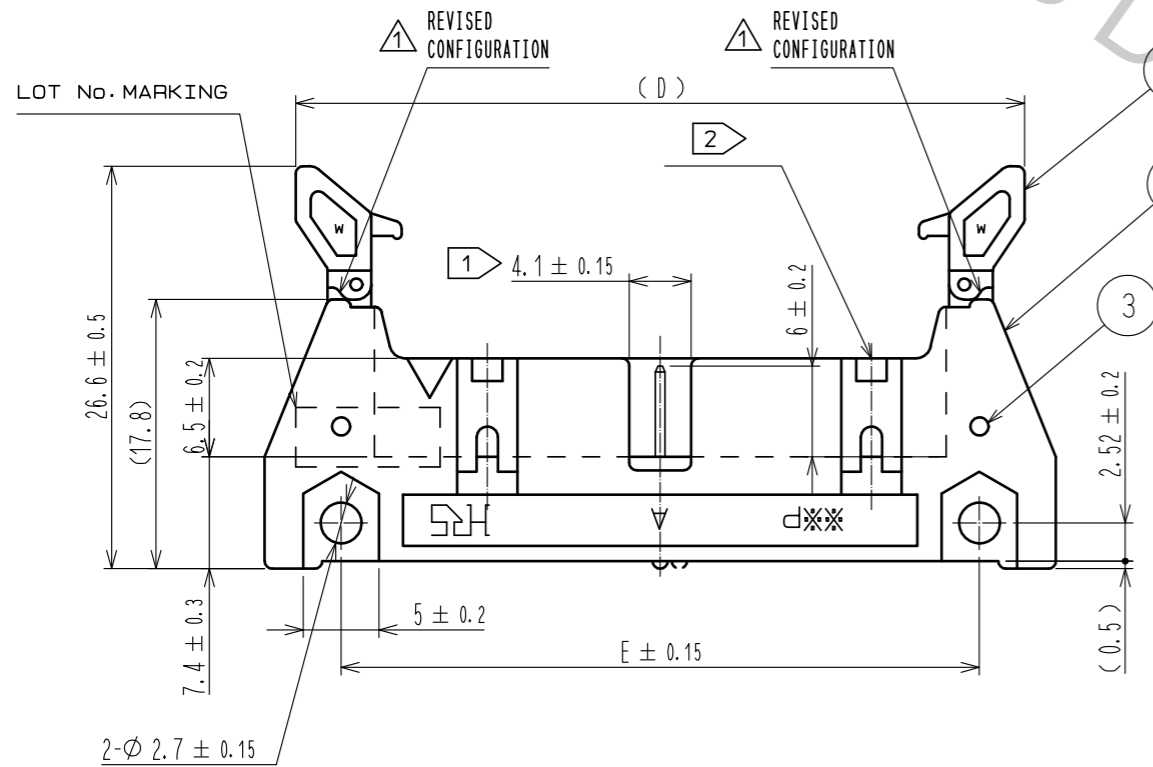
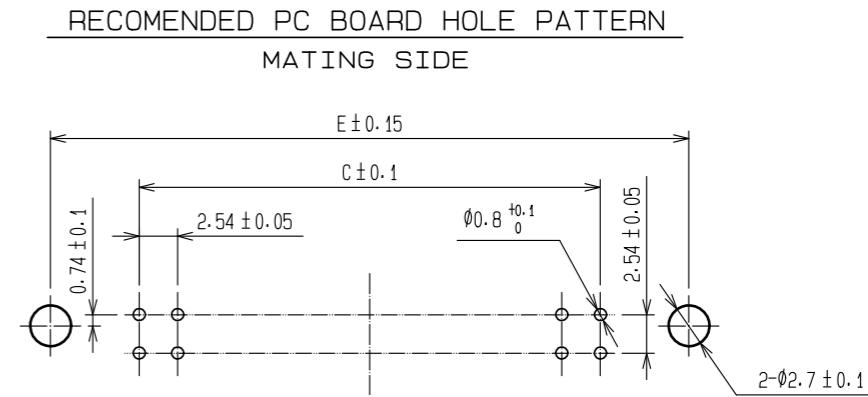
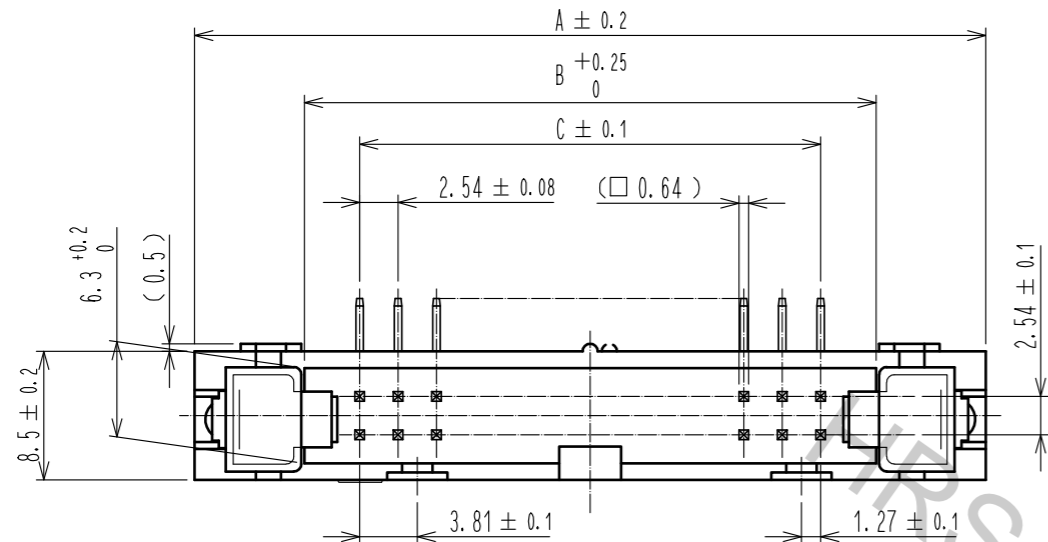


Aug.1.2018 Copyright 2018 HIROSE ELECTRIC CO., LTD. All Rights Reserved.  
 In case that the application demands a high level of reliability, such as automotive,  
 please contact a company representative for further information.



HRS No.	CODE No.	8	A	B	C	D	6	E	F	1	2	POLARIZING SLOT	POLARIZING KEY INSTALL
HIF3MAW-10PA-2.54DS	CL610-3500-6-00	10										NONE	ONE ON RIGHT SIDE.
HIF3MDW-10PA-2.54DS	CL610-3501-9-00	10	32.0	17.5	10.16	28.14(51.1)		21.8	27.9			NONE	NONE
HIF3MAW-14PA-2.54DS	CL610-3502-1-00	14	37.1	22.6	15.24	33.24(56.2)		26.9	33.0			ONE AT CENTER	ONE ON RIGHT SIDE.
HIF3MAW-16PA-2.54DS	CL610-3503-4-00	16	39.6	25.1	17.78	35.74(58.7)		29.5	35.5			ONE AT CENTER	ONE ON RIGHT SIDE.
HIF3MAW-20PA-2.54DS	CL610-3504-7-00	20	44.7	30.2	22.86	40.84(63.8)		34.5	40.6			ONE AT CENTER	ONE ON RIGHT SIDE.
HIF3MAW-26PA-2.54DS	CL610-3505-0-00	26	52.3	37.8	30.48	48.44(71.4)		42.2	48.3			ONE AT CENTER	ONE ON RIGHT SIDE.
HIF3MAW-30PA-2.54DS	CL610-3506-2-00	30	57.4	42.9	35.56	53.54(76.5)		47.2	53.3			ONE AT CENTER	ONE ON RIGHT SIDE.
HIF3MAW-34PA-2.54DS	CL610-3507-5-00	34	62.5	48.0	40.64	58.64(81.6)		52.3	58.4			ONE AT CENTER	ONE ON RIGHT SIDE.
HIF3MAW-40PA-2.54DS	CL610-3508-8-00	40	70.1	55.6	48.26	66.24(89.2)		59.9	66.0			ONE AT CENTER	ONE ON RIGHT SIDE.
HIF3MAW-50PA-2.54DS	CL610-3509-0-00	50	82.8	68.3	60.96	78.94(101.9)		72.6	78.7			ONE AT CENTER	ONE ON RIGHT SIDE.
HIF3MAW-60PA-2.54DS	CL610-3511-2-00	60	95.5	81.0	73.66	91.64(114.6)		85.3	91.4			ONE AT CENTER	ONE ON RIGHT SIDE.
HIF3MAW-64PA-2.54DS	CL610-3513-8-00	64	100.6	86.1	78.74	96.74(119.7)		90.4	96.5			ONE AT CENTER	ONE ON RIGHT SIDE.
HIF3MBW-64PA-2.54DS	CL610-3514-0-00	64										ONE AT CENTER	ONE ON RIGHT SIDE.

NOTES 1 2 THE NUMBER OF POLARIZING SLOT AND KEY INSTALLED POSITIONS CHANGES ACCORDING TO PRODUCTS. REFER TO THE LISTS AS SHOWN ABOVE.

3 THE SPACER MOVES TO THE RIGHT ACCORDING TO THE NUMBER OF CONTACTS.

4 THE 10, 50, 60 AND 64 CONTACT CONNECTORS CONTAIN TWO TYPES OF POLARIZING SLOTS. USE PRODUCTS, CONFIRMING 1 2

5 THE DIMENSIONS IN PARENTHESES ARE FOR REFERENCE.

6 THE DIMENSIONS IN PARENTHESES SHOWS WHEN THE LOCK OPEN OUT.

7 \*\* INDICATES THE NUMBER OF CONTACTS.

8 NUMBER OF CONTACTS.

3	STAINLESS		4, 5	BRASS	CONTACT AREA: GOLD 0.15 μm
1, 2	PBT	BLACK UL94V-0			DIP AREA: TIN-PLATING 2 μm
NO.	MATERIAL	FINISH, REMARKS	NO.	MATERIAL	UNDER PLATING: NICKEL 2.5 μm
UNITS	mm	SCALE	FREE	COUNT	DESCRIPTION OF REVISIONS
				2	DIS-F-00000161
				DESIGNED	TY. EDAGAWA
				CHECKED	HT. YAMAGUCHI
				DATE	15. 03. 12
				APPROVED	HS. OKAWA 14. 12. 10
				CHECKED	HS. OKAWA 14. 12. 10
				DESIGNED	TY. EDAGAWA 14. 12. 10
				DRAWN	TY. EDAGAWA 14. 12. 10
				DRAWING NO.	EDC3-361542-01
				PART NO.	HIF3M*W-*PA-2.54DS
				CODE NO.	CL610