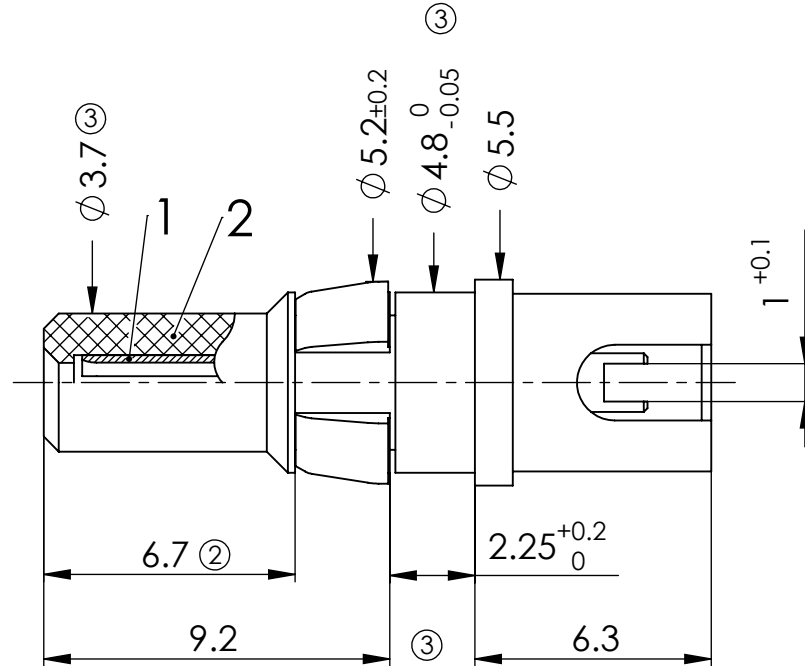
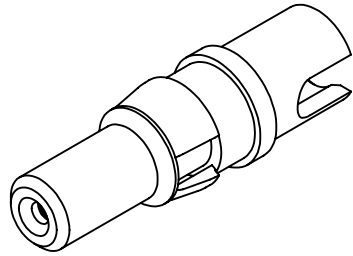


COMMENT:
 ALL RIGHTS ARE RESERVED BY US FOR THIS DRAWING. WITHOUT OUR PRIOR CONSENT,
 IT MAY NEITHER BE DUPLICATED NOR MADE AVAILABLE TO A THIRD PARTY,
 AND IT ALSO MAY NOT BE IMPROPERLY USED BY THE RECEIVER, OR A THIRD PARTY.



			HIGH VOLTAGE CONTACT		SCALE 5:1	CABLE	
FOR D-SUB or EN 60603-2			NAME / DATE		DATA SHEET		
DIMENSIONS IN MM			DRAWN	CAscher 09-11-2005			
MATERIAL + FINISH SEE EXTRA SHEET			CHECKED	msteinbrueck 18-08-2006			
UNLESS OTHERWISE SPECIFIED DIMENSIONS FOR REFERENCE ONLY					PART NO. FMV002P_K		REV. 3
3	10-07-2007	11430			REPLACEMENT FOR:		PAGE: 1/1
REV.	DATE	INDEX	ORIGINAL: DIN A4-DRAWING AS A FILE				