

# SPECIFICATIONS

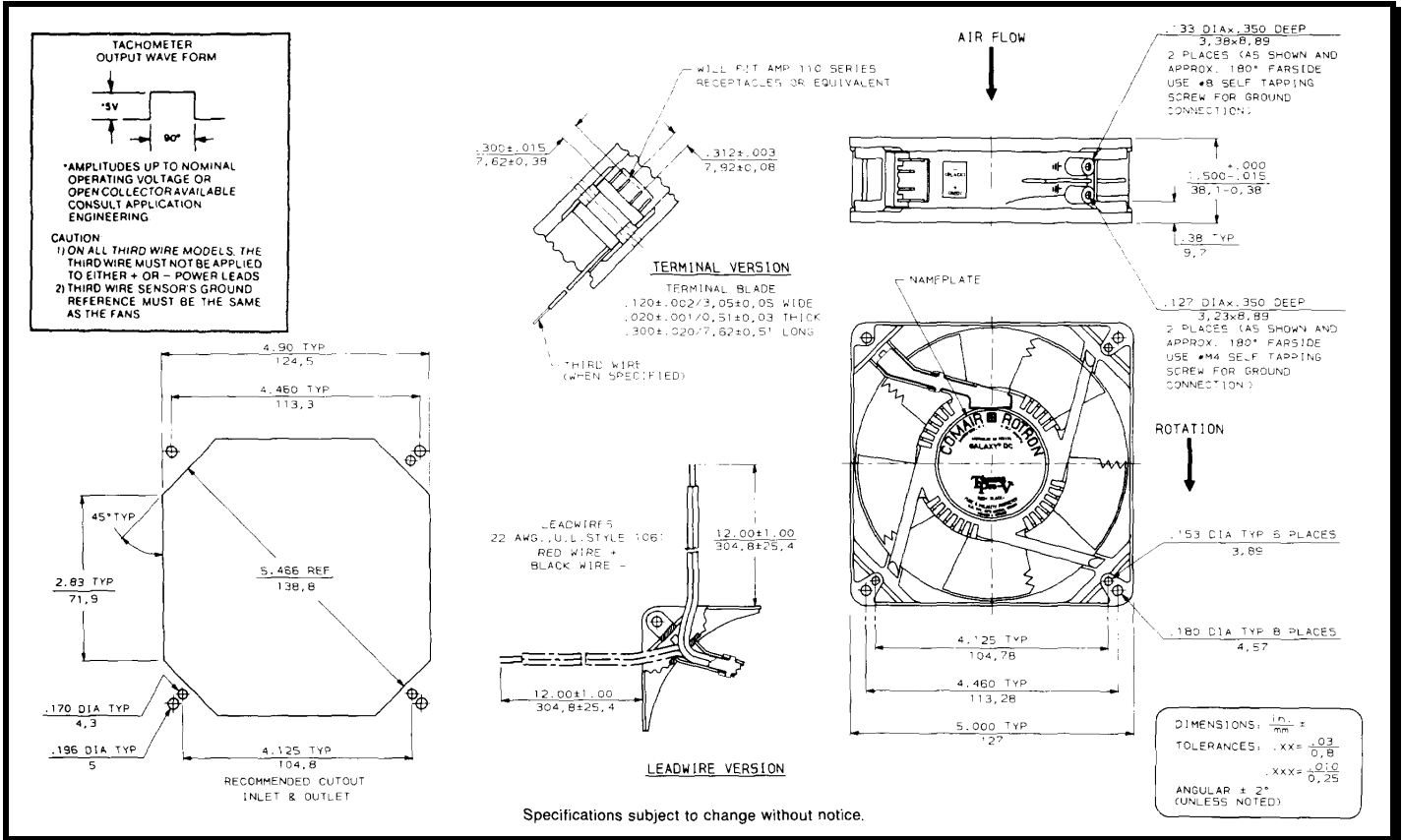
(RoHS Compliant)



**Model Number:** GL24B4  
**Part Number:** 19031075A

August 31, 2005

## Mechanical Drawing:



### Motor:

Nominal Voltage	= 24 vdc
Operating Voltage Range	= 12 - 28 vdc
Nominal Running Current	= 0.625 amps
Locked Rotor Current	= 1.350 amps
Running Power	= 15.0 watts
Average Speed	= 3250 rpm
Bearings	= Ball
Air Flow	= 150 CFM
Acoustic	= 53.6 dBA

### Construction:

Venturi: Die Cast Zinc, Black  
 Propeller: Plastic, Black, UL 94V-0

### Life Expectancy:

This fan is designed for continuous duty life of 82,500 hours at 50°C.

### Additional Features:

Brushless DC Motor  
 Automatic Restart Capability  
 Polarity Protected  
 Locked Rotor Protection  
 Operating Temperature: -10°C to 70°C  
 Storage Temperature: -40°C to 85°C

### Termination:

0.110" wide Terminals      Polarity Labeled

### Agency Approvals:

UL, CE