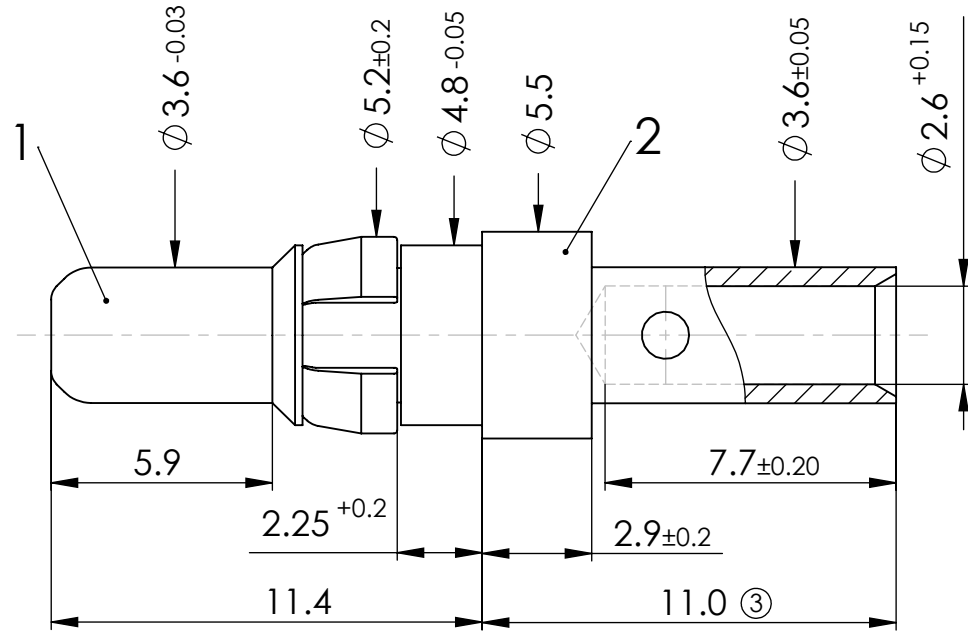
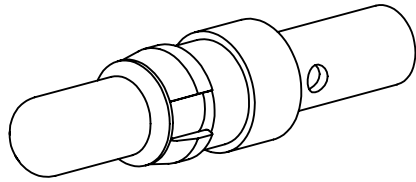


COMMENT:  
 ALL RIGHTS ARE RESERVED BY US FOR THIS DRAWING. WITHOUT OUR PRIOR CONSENT,  
 IT MAY NEITHER BE DUPLICATED NOR MADE AVAILABLE TO A THIRD PARTY,  
 AND IT ALSO MAY NOT BE IMPROPERLY USED BY THE RECEIVER, OR A THIRD PARTY.



Text No. W-4

**FCT tools:**

Hand tool: M309

Pneumatic crimp tool: WA27-309

Die: SP994

Selector Number:

AWG 12 / SEL. 5

AWG 14 / SEL. 4

CURRENT		20 A	HIGH POWER CONTACT	SCALE 5:1	DATA SHEET	
FOR		D-Sub				
DIMENSIONS IN MM			DRAWN	NAME / DATE		PART NO. FMP003P
MATERIAL + FINISH SEE EXTRA SHEET			CHECKED	Steinbrück 14-05-2003		
UNLESS OTHERWISE SPECIFIED DIMENSIONS FOR REFERENCE ONLY			ffuhrmann 15-12-2006			
3	12-04-2007	11507			REV. 3	
REV.	DATE	INDEX			ORIGINAL: DIN A4-DRAWING AS A FILE	