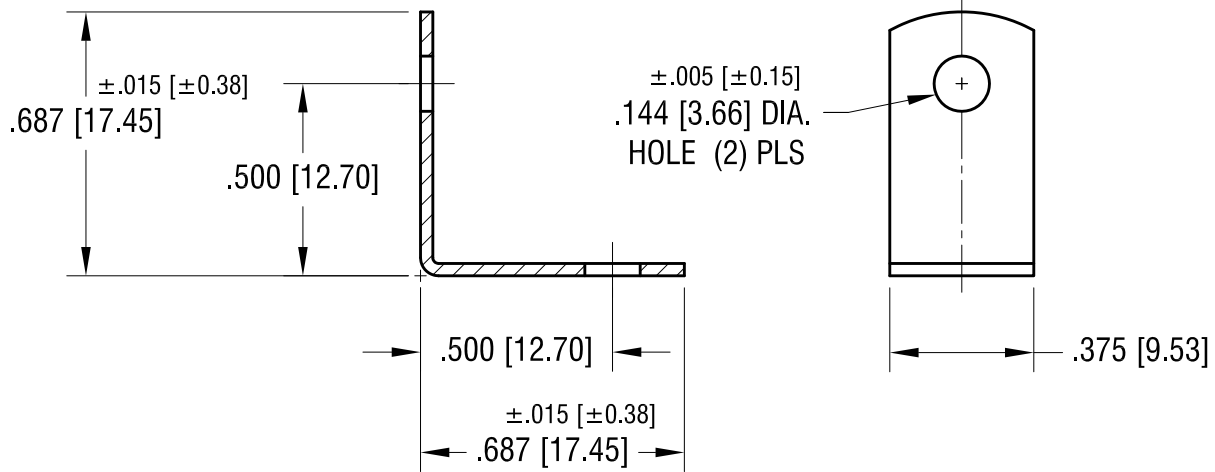
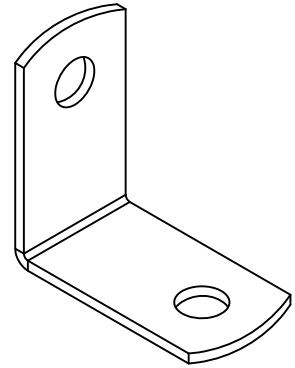


THIS DOCUMENT IS THE PROPERTY OF
KEYSTONE ELECTRONICS CORP. AND
SHALL NOT BE REPRODUCED, DISTRIBUTED
OR USED AS A BASIS FOR MANUFACTURE
WITHOUT PRIOR WRITTEN PERMISSION
FROM KEYSTONE ELECTRONICS CORP.



1.06.10	CHANGE AS PER ECN 10-001	E
9.14.04	CHANGE AS PER ECN 04-094	D
DATE	DESCRIPTION	REV.

KEYSTONE ELECTRONICS CORP.			
www.keyelco.com • ASTORIA, N.Y. 11105-2017 • Tel (718) 956-8900			
PART NAME		BRACKET	
MATERIAL		.032 [0.81] TH'K STEEL	
FINISH		DRN BY	DATE
MATTE TIN PLATE		BOONE	3.2.82
		APP'D	SCALE
		LN	2X
TOLERANCES	INCH [MM]	CODE	DWG NO.
DECIMAL	$\pm .010$ [± 0.25]	C	619
ANGULAR	$\pm 1^\circ$		
UNLESS OTHERWISE SPECIFIED			